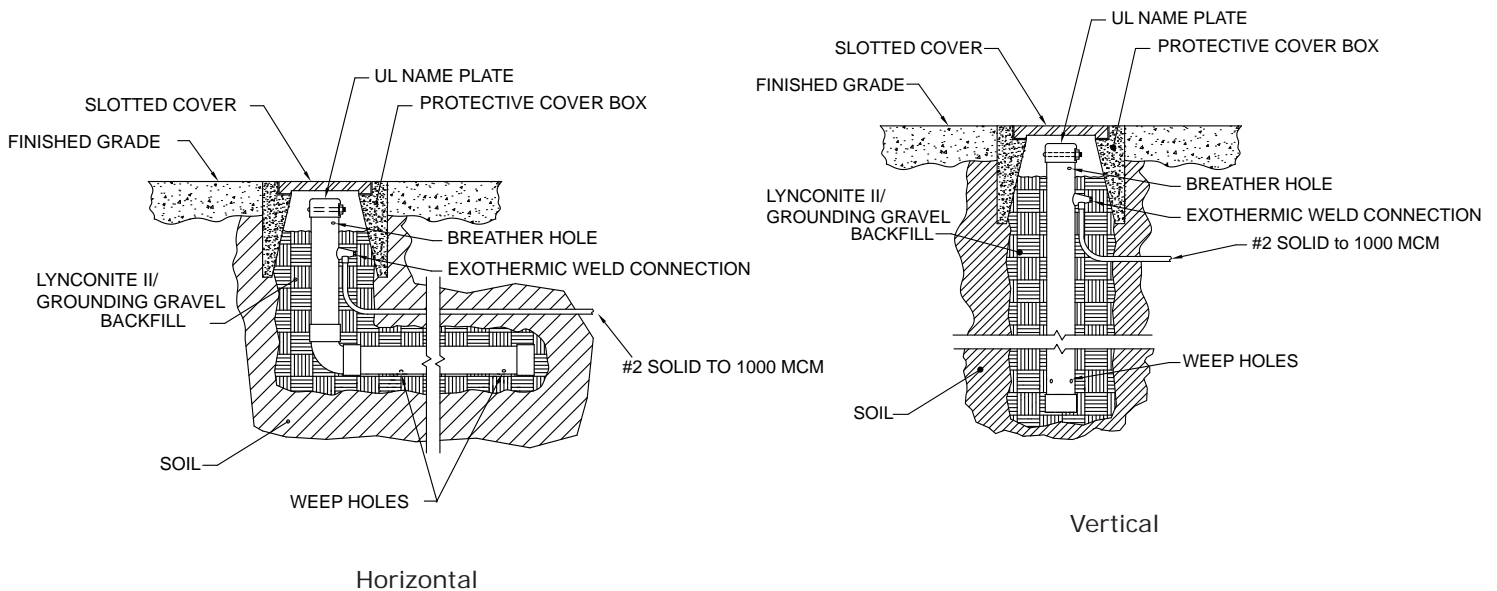


Chemical Ground Rod Kits

A **valmont** COMPANY



Features: Kit includes the chemical electrode (filled with electrolytic salts), bentonite, 50 lb. of Contact-GM backfill, and an inspection well.

Construction: Chemical ground rod with factory attached 5' pigtail (#2 solid tinned wire) facing up. Horizontal rods are "L" shaped with a 3' vertical section.

Design Criteria: Provides an efficient earth in poor soil conditions where spacing for electrodes is limited.

Part #	Orientation	Length	Conductor	Description	Weight
38-6050-32	Vertical	10'	2 Solid Tin (5')	Complete Chemical Ground Rod Kit	80 lb.
38-6051-32	Horizontal	10'	2 Solid Tin (5')	Complete Chemical Ground Rod Kit	100 lb.
38-6051-35	Horizontal	20'	2 Solid Tin (5')	Complete Chemical Ground Rod Kit	180 lb.

Installation Instructions for Enhanced Ground Rod Vertical Shaped Model

Ground Preparation:

Bore a 4" diameter hole (minimum) 6" deeper than the length of the enhanced ground rod.

Chemical Ground Rod Preparation:

Remove the black sealing tape from the bottom section of the ground rod just before placing ground rod into the trench.

Do not remove the black sealing tape from the top section of the ground rod.

Installation:

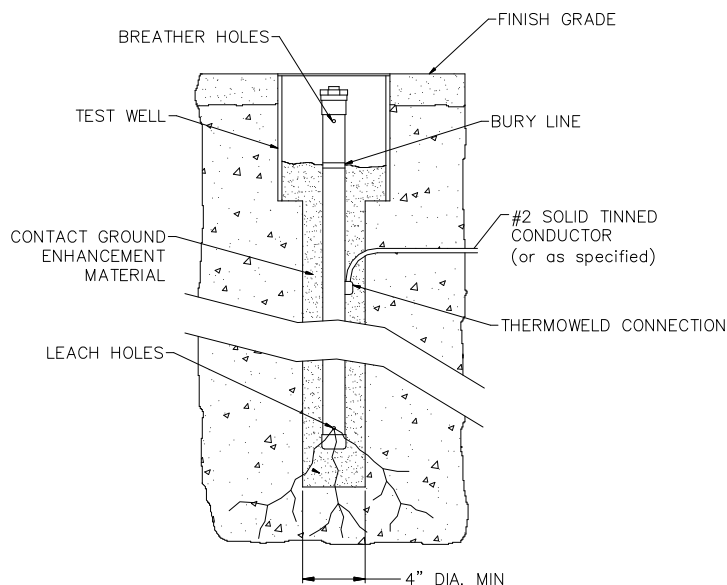
If using Contact-GM ground enhancement material, cover the bottom of the hole with approximately 6" of material.

Insert ground rod into the hole.

Connect tail to the ground system.

Fill the hole with the rest of Contact-GM material. Do not fill past the green backfill marker. Remove the black sealing tape from the top portion of the shaft. Do not cover the breather holes with backfill.

It is recommended that a test well be placed around the top part of the ground rod. This serves to protect the top of the unit and helps prevent debris from blocking the breather holes.



Installation Instructions for Enhanced Ground Rod Horizontal L-Shaped Model

Ground Preparation:

Dig a Trench 4" wide by 30" deep, making sure there is a slight slope going away from the ground rod's vertical shaft.

Chemical Ground Rod Preparation:

Remove the black sealing tape from the bottom / horizontal section of the ground rod just before placing ground rod into the trench.

Do not remove the black sealing tape from the top / vertical section of the ground rod.

Installation:

If using Contact-GM ground enhancement material, cover the bottom of the trench with approximately 1" of material.

Insert ground rod into the trench.

Connect tail to the ground system.

Cover the ground rod with the rest of Contact-GM material.

Remove the black sealing tape from the top / vertical portion of the shaft. Do not cover the breather holes with backfill.

It is recommended that a test well be placed around the top part of the ground rod. This serves to protect the top of the unit and helps prevent debris from blocking the breather holes.

