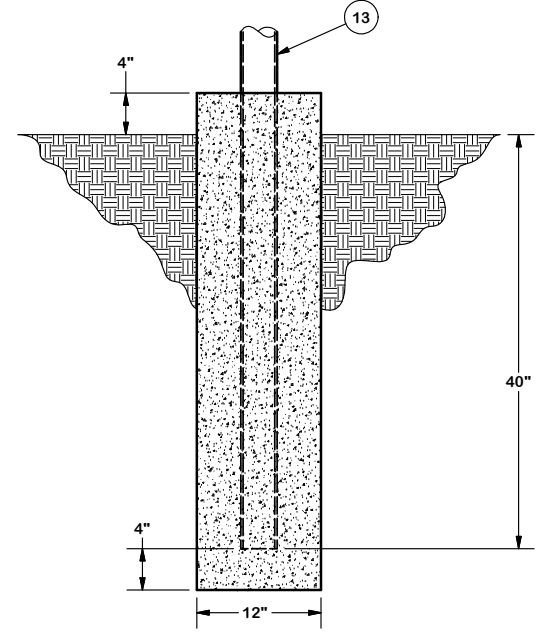
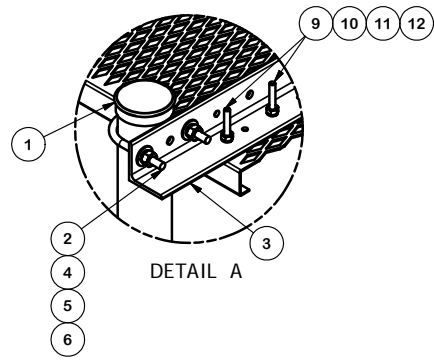
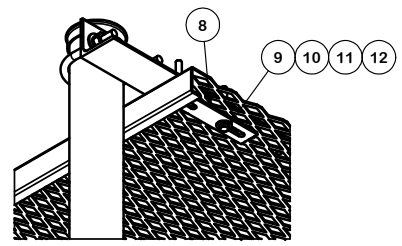
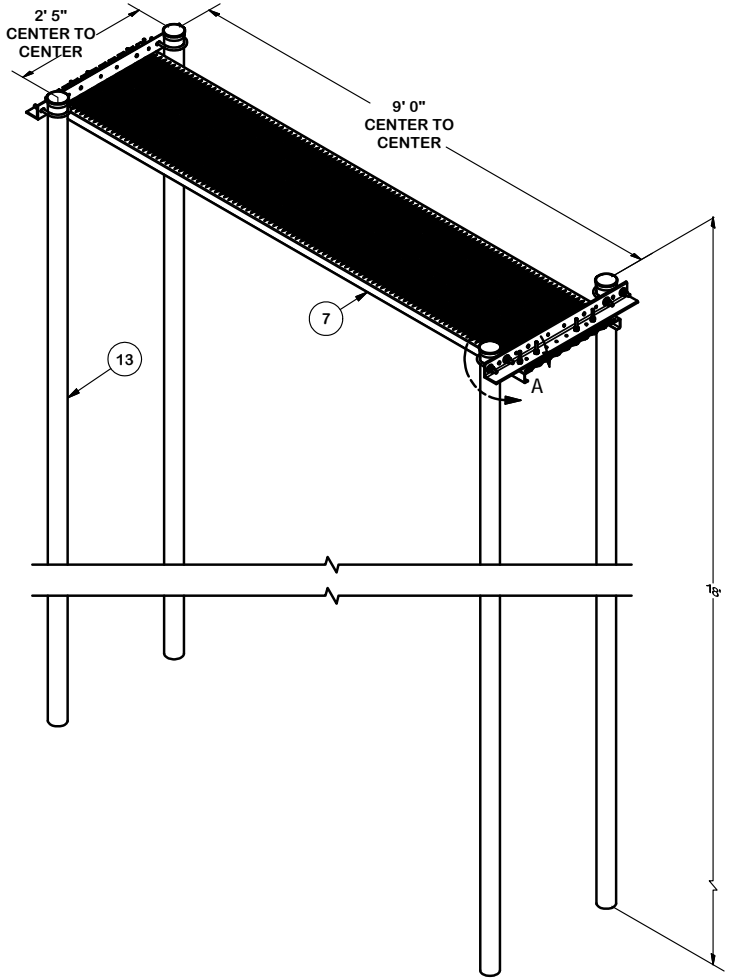


PARTS LIST						
ITEM	QTY	PART NO.	PART DESCRIPTION	LENGTH	UNIT WT.	NET WT.
1	4	PC312	3-1/2" FENCE POST CAP		0.59	2.34
2	4	X-UB1358	1/2" X 3-5/8" X 5-1/2" X 3" U-BOLT (HDG.)		0.66	2.63
3	2	X-FP24	4 POST SUPPORT BRACKET	35 1/2 in	14.99	29.98
4	8	G12FW	1/2" HDG USS FLATWASHER		0.03	0.27
5	8	G12LW	1/2" HDG LOCKWASHER		0.01	0.11
6	8	G12NUT	1/2" HDG HEAVY 2H HEX NUT		0.07	0.57
7	1	GRS24	24" X 10' GRIP SPAN BRIDGE CHANNEL		67.98	67.98
8	4	SPLICE	SPLICE FOR GRIP STRUT	7 3/8 in	0.53	2.10
9	8	G3803	3/8" x 3" HDG HEX BOLT GR5		0.12	0.97
10	8	G38FW	3/8" HDG USS FLATWASHER		0.01	0.09
11	8	G38LW	3/8" HDG LOCKWASHER		0.01	0.05
12	8	G38NUT	3/8" HDG HEAVY 2H HEX NUT		0.03	0.27
13	4	P3126	3" SCH. 40 PIPE (3.5" O.D. x 0.216" WALL) A500	216 in	136.68	546.74
					TOTAL WT. #	653.03



DIRECT BURIAL FOOTING

TOLERANCE NOTES
 TOLERANCES ON DIMENSIONS, UNLESS OTHERWISE NOTED ARE:
 SAWED, SHEARED AND GAS CUT EDGES ($\pm 0.030"$)
 DRILLED AND GAS CUT HOLES ($\pm 0.030"$) - NO CONING OF HOLES
 LASER CUT EDGES AND HOLES ($\pm 0.010"$) - NO CONING OF HOLES
 BENDS ARE $\pm 1/2$ DEGREE
 ALL OTHER MACHINING ($\pm 0.030"$)
 ALL OTHER ASSEMBLY ($\pm 0.060"$)

PROPRIETARY NOTE:
 THE DATA AND TECHNIQUES CONTAINED IN THIS DRAWING ARE PROPRIETARY INFORMATION OF VALMONT INDUSTRIES AND CONSIDERED A TRADE SECRET. ANY USE OR DISCLOSURE WITHOUT THE CONSENT OF VALMONT INDUSTRIES IS STRICTLY PROHIBITED.

DESCRIPTION FOUR POST GRIP-SPAN ICE BRIDGE KITS WITH NO TRAPEZE WITH 18' DIRECT BURIAL POSTS	
CPD NO.	DRAWN BY CEK 5/23/2011
CLASS 81	SUB 02
DRAWING USAGE CUSTOMER	ENG. APPROVAL CHECKED BY BMC 5/23/2011

 A valmont COMPANY	Locations: New York, NY Atlanta, GA Los Angeles, CA Plymouth, IN Salem, OR Dallas, TX
	Engineering Support Team: 1-888-753-7446
PART NO.	4B24D-216
DWG. NO.	4B24D-216