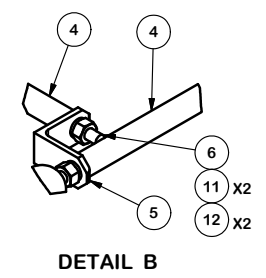
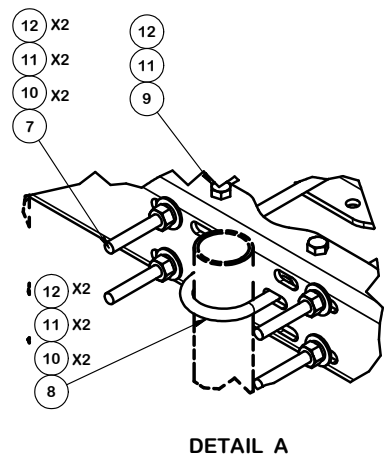


PARTS LIST						
ITEM	QTY	PART NO.	PART DESCRIPTION	LENGTH	UNIT WT.	NET WT.
1	2	X-BPM	BANER PIPE MOUNT LARGE BACKING PLATE	12 in	19.60	39.19
2	2	X-BPMBP	BANNER PIPE MOUNT BACKING PLATE	12 in	6.33	12.65
3	4	X-BPMSP	BANNER PIPE MOUNT SPACER PIPE	3 15/16 in	0.30	1.19
4	6	X-BPMP24	BANNER PIPE MOUNT PIPE	19 in	2.48	14.87
5	4	X-BPMCA	BANNER PIPE MOUNT CLIP ANGLE	1 1/2 in	0.58	2.33
6	6	G12R-22	1/2" x 22" GALV. THREADED ROD		1.23	7.36
7	8	G12R-15	1/2" x 15" THREADED ROD (HDG.)		0.84	6.69
8	2	X-UB1212	1/2" X 2-1/2" X 4-1/2" X 2" U-BOLT (HDG.)		0.60	1.19
9	4	G1206	1/2" x 5.5" HDG HEX BOLT GR5 FULL THREAD	2 in	0.35	1.41
10	20	G12FW	1/2" HDG USS FLATWASHER	3/32 in	0.03	0.68
11	36	G12LW	1/2" HDG LOCKWASHER	1/8 in	0.01	0.50
12	36	G12NUT	1/2" HDG HEAVY 2H HEX NUT		0.07	2.58
13	4	X-BALLPL	BLACK PLASTIC BALL		1.03	4.11
TOTAL WT. #						94.77



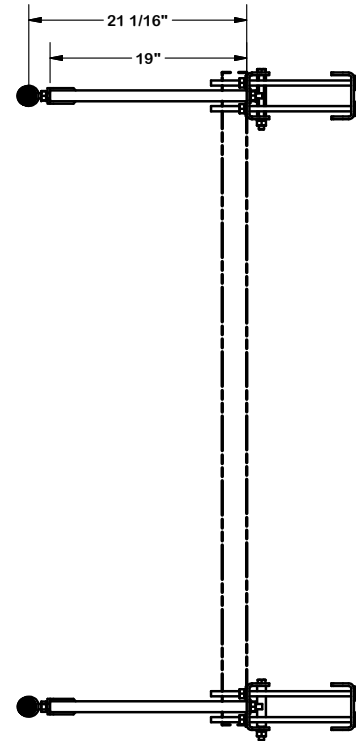
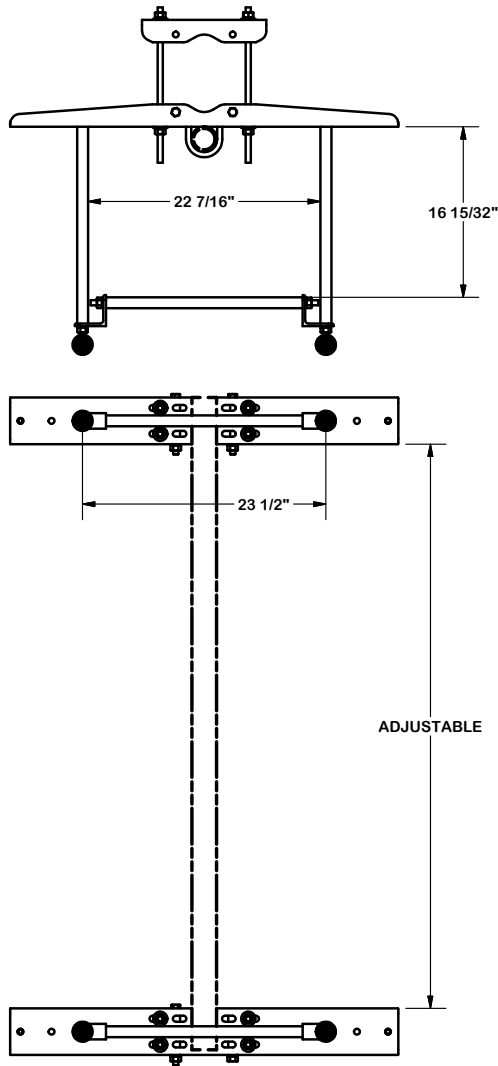
TOLERANCE NOTES

TOLERANCES ON DIMENSIONS, UNLESS OTHERWISE NOTED ARE:
 SAWED, SHEARED AND GAS CUT EDGES ($\pm 0.030"$)
 DRILLED AND GAS CUT HOLES ($\pm 0.030"$) - NO CONING OF HOLES
 LASER CUT EDGES AND HOLES ($\pm 0.010"$) - NO CONING OF HOLES
 BENDS AND ANGLES ARE $\pm 1/2$ DEGREE
 ALL OTHER MACHINING ($\pm 0.030"$)
 ALL OTHER ASSEMBLY ($\pm 0.060"$)

PROPRIETARY NOTE:
 THE DATA AND TECHNIQUES CONTAINED IN THIS DRAWING ARE PROPRIETARY INFORMATION OF VALMONT INDUSTRIES AND CONSIDERED A TRADE SECRET. ANY USE OR DISCLOSURE WITHOUT THE CONSENT OF VALMONT INDUSTRIES IS STRICTLY PROHIBITED.

DESCRIPTION		18" BANNER PIPE MOUNT	
CPD NO.	DRAWN BY	ENG. APPROVAL	
	CEK	5/9/2019	
CLASS	SUB	DRAWING USAGE	CHECKED BY
81	02	CUSTOMER	BMC 5/14/2019

 A valmont COMPANY	Locations: New York, NY Atlanta, GA Los Angeles, CA Plymouth, IN Salem, OR Dallas, TX Tampa, FL
	Engineering Support Team: 1-888-753-7446
PART NO.	BPM-18
DWG. NO.	BPM-18



TOLERANCE NOTES

**TOLERANCES ON DIMENSIONS, UNLESS OTHERWISE NOTED ARE:
 SAWED, SHEARED AND GAS CUT EDGES ($\pm 0.030"$)
 DRILLED AND GAS CUT HOLES ($\pm 0.030"$) - NO CONING OF HOLES
 LASER CUT EDGES AND HOLES ($\pm 0.010"$) - NO CONING OF HOLES
 BENDS AND ANGLES ARE $\pm 1/2$ DEGREE
 ALL OTHER MACHINING ($\pm 0.030"$)
 ALL OTHER ASSEMBLY ($\pm 0.060"$)**

**PROPRIETARY NOTE:
 THE DATA AND TECHNIQUES CONTAINED IN THIS DRAWING ARE PROPRIETARY INFORMATION OF VALMONT
 INDUSTRIES AND CONSIDERED A TRADE SECRET. ANY USE OR DISCLOSURE WITHOUT THE CONSENT OF
 VALMONT INDUSTRIES IS STRICTLY PROHIBITED.**

DESCRIPTION
**18" BANNER
 PIPE MOUNT**

CPD NO.	DRAWN BY CEK	5/9/2019	ENG. APPROVAL
CLASS 81	SUB 02	DRAWING USAGE CUSTOMER	CHECKED BY BMC 5/14/2019

SITE PRO 1
 A valmont COMPANY

Locations:
 New York, NY
 Atlanta, GA
 Los Angeles, CA
 Plymouth, IN
 Salem, OR
 Dallas, TX
 Tampa, FL

Engineering Support Team:
 1-888-753-7446

PART NO.	BPM-18	PAGE 2 OF 2
DWG. NO.	BPM-18	