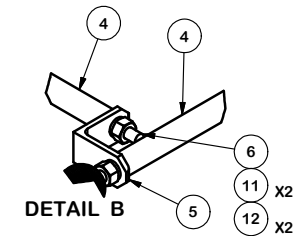
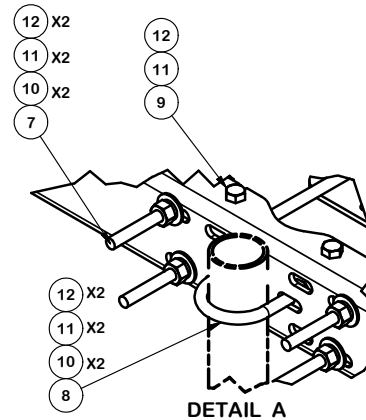


PARTS LIST						
ITEM	QTY	PART NO.	PART DESCRIPTION	LENGTH	UNIT WT.	NET WT.
1	2	X-BPM	BANER PIPE MOUNT LARGE BACKING PLATE	12 in	19.60	39.19
2	2	X-BPMBP	BANNER PIPE MOUNT BACKING PLATE	12 in	6.33	12.65
3	4	X-BPMSp	BANNER PIPE MOUNT SPACER PIPE	3 15/16 in	0.30	1.19
4	6	X-BPMP36	BANNER PIPE MOUNT PIPE	31 in	4.04	24.27
5	4	X-BPMCA	BANNER PIPE MOUNT CLIP ANGLE	1 1/2 in	0.58	2.33
6	6	G12R-34	1/2" x 34" GALV. THREADED ROD		1.90	11.37
7	8	G12R-15	1/2" x 15" THREADED ROD (HDG.)		0.84	6.69
8	2	X-UB1212	1/2" X 2-1/2" X 4-1/2" X 2" U-BOLT (HDG.)		0.60	1.19
9	4	G1206	1/2" x 5.5" HDG HEX BOLT GR5 FULL THREAD	2 in	0.35	1.41
10	20	G12FW	1/2" HDG USS FLATWASHER	3/32 in	0.03	0.68
11	36	G12LW	1/2" HDG LOCKWASHER	1/8 in	0.01	0.50
12	36	G12NUT	1/2" HDG HEAVY 2H HEX NUT		0.07	2.58
13	4	X-BALLPL	BLACK PLASTIC BALL		1.03	4.11
					TOTAL WT. #	108.18



**TOLERANCE NOTES**

TOLERANCES ON DIMENSIONS, UNLESS OTHERWISE NOTED ARE:  
 SAWED, SHEARED AND GAS CUT EDGES ( $\pm 0.030"$ )  
 DRILLED AND GAS CUT HOLES ( $\pm 0.030"$ ) - NO CONING OF HOLES  
 LASER CUT EDGES AND HOLES ( $\pm 0.010"$ ) - NO CONING OF HOLES  
 BENDS AND ANGLES ARE  $\pm 1/2$  DEGREE  
 ALL OTHER MACHINING ( $\pm 0.030"$ )  
 ALL OTHER ASSEMBLY ( $\pm 0.060"$ )

PROPRIETARY NOTE:  
 THE DATA AND TECHNIQUES CONTAINED IN THIS DRAWING ARE PROPRIETARY INFORMATION OF VALMONT INDUSTRIES AND CONSIDERED A TRADE SECRET. ANY USE OR DISCLOSURE WITHOUT THE CONSENT OF VALMONT INDUSTRIES IS STRICTLY PROHIBITED.

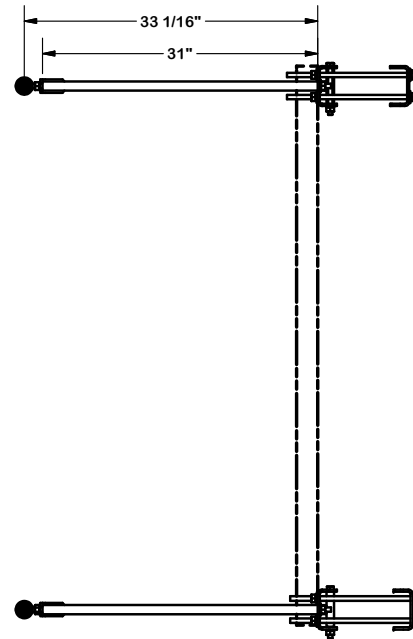
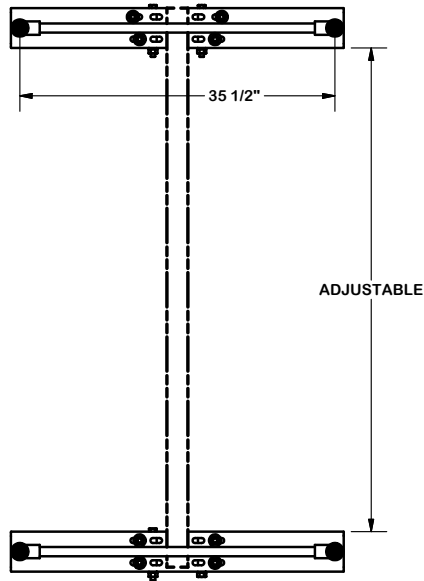
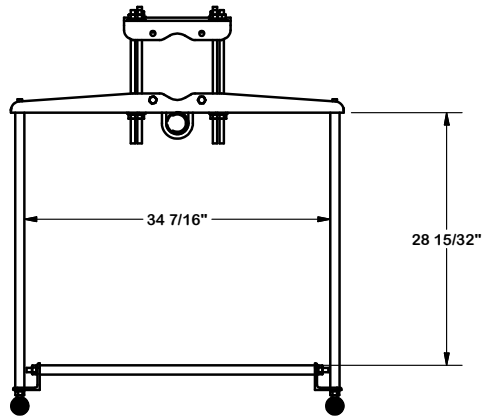
DESCRIPTION  
**30" BANNER PIPE MOUNT**

**SITE PRO 1**  
 Engineering Support Team:  
 1-888-753-7446

Locations:  
 New York, NY  
 Atlanta, GA  
 Los Angeles, CA  
 Plymouth, IN  
 Salem, OR  
 Dallas, TX  
 Tampa, FL

CPD NO.	DRAWN BY	ENG. APPROVAL
CLASS	DRAWING USAGE	CHECKED BY
81	02	CUSTOMER
		BMC 5/14/2019

PART NO.	<b>BPM-30</b>
DWG. NO.	<b>BPM-30</b>



**TOLERANCE NOTES**

TOLERANCES ON DIMENSIONS, UNLESS OTHERWISE NOTED ARE:  
 SAWED, SHEARED AND GAS CUT EDGES ( $\pm 0.030"$ )  
 DRILLED AND GAS CUT HOLES ( $\pm 0.030"$ ) - NO CONING OF HOLES  
 LASER CUT EDGES AND HOLES ( $\pm 0.010"$ ) - NO CONING OF HOLES  
 BENDS AND ANGLES ARE  $\pm 1/2$  DEGREE  
 ALL OTHER MACHINING ( $\pm 0.030"$ )  
 ALL OTHER ASSEMBLY ( $\pm 0.060"$ )

PROPRIETARY NOTE:  
 THE DATA AND TECHNIQUES CONTAINED IN THIS DRAWING ARE PROPRIETARY INFORMATION OF VALMONT INDUSTRIES AND CONSIDERED A TRADE SECRET. ANY USE OR DISCLOSURE WITHOUT THE CONSENT OF VALMONT INDUSTRIES IS STRICTLY PROHIBITED.

DESCRIPTION  
 30" BANNER  
 PIPE MOUNT

CPD NO.	DRAWN BY	ENG. APPROVAL
81	CEK 5/9/2019	BMC 5/14/2019
CLASS	SUB	DRAWING USAGE
81	02	CUSTOMER

**SITE PRO 1**  
 A valmont COMPANY  
 Locations:  
 New York, NY  
 Atlanta, GA  
 Los Angeles, CA  
 Plymouth, IN  
 Salem, OR  
 Dallas, TX  
 Tampa, FL  
 Engineering Support Team:  
 1-888-753-7446

PART NO.	BPM-30
DWG. NO.	BPM-30