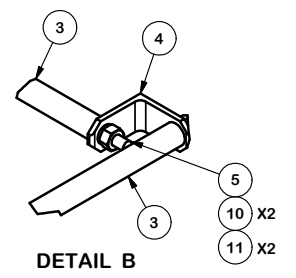
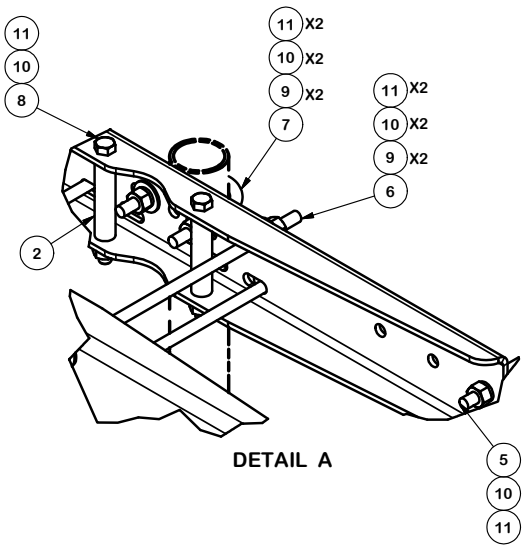


PARTS LIST						
ITEM	QTY	PART NO.	PART DESCRIPTION	LENGTH	UNIT WT.	NET WT.
1	4	X-BPM	BANER PIPE MOUNT LARGE BACKING PLATE	12 in	19.60	78.39
2	8	X-BPMSP	BANNER PIPE MOUNT SPACER PIPE	3 15/16 in	0.30	2.37
3	12	X-BPMP36	BANNER PIPE MOUNT PIPE	31 in	4.04	48.54
4	8	X-BPMCA	BANNER PIPE MOUNT CLIP ANGLE	1 1/2 in	0.58	4.65
5	12	G12R-34	1/2" x 34" GALV. THREADED ROD		1.90	22.75
6	8	G12R-15	1/2" x 15" GALV. THREADED ROD		0.84	6.69
7	4	X-UB1212	1/2" X 2-1/2" X 4-1/2" X 2" U-BOLT (HDG.)		0.60	2.39
8	8	G1206	1/2" x 5.5" HDG HEX BOLT GR5 FULL THREAD	2 in	0.35	2.83
9	24	G12FW	1/2" HDG USS FLATWASHER	3/32 in	0.03	0.82
10	56	G12LW	1/2" HDG LOCKWASHER	1/8 in	0.01	0.78
11	56	G12NUT	1/2" HDG HEAVY 2H HEX NUT		0.07	4.01
12	8	X-BALLPL	BLACK PLASTIC BALL		1.03	8.23
TOTAL WT. #						182.45

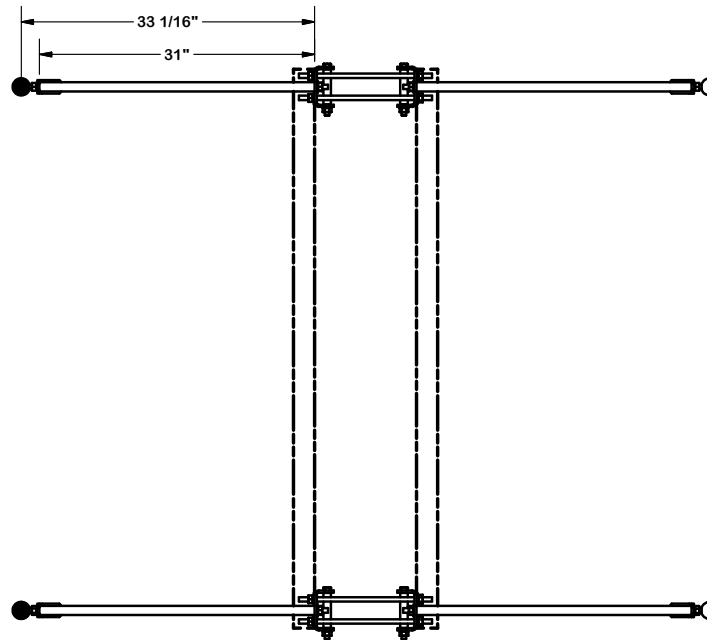
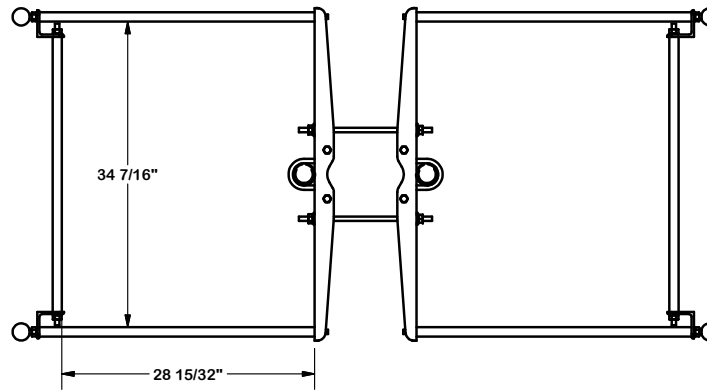
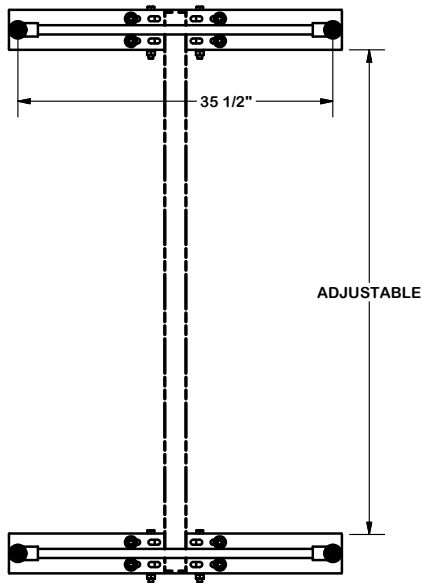


TOLERANCE NOTES
 TOLERANCES ON DIMENSIONS, UNLESS OTHERWISE NOTED ARE:
 SAWED, SHEARED AND GAS CUT EDGES ($\pm 0.030"$)
 DRILLED AND GAS CUT HOLES ($\pm 0.030"$) - NO CONING OF HOLES
 LASER CUT EDGES AND HOLES ($\pm 0.010"$) - NO CONING OF HOLES
 BENDS AND ANGLES ARE $\pm 1/2$ DEGREE
 ALL OTHER MACHINING ($\pm 0.030"$)
 ALL OTHER ASSEMBLY ($\pm 0.060"$)

PROPRIETARY NOTE:
 THE DATA AND TECHNIQUES CONTAINED IN THIS DRAWING ARE PROPRIETARY INFORMATION OF VALMONT INDUSTRIES AND CONSIDERED A TRADE SECRET. ANY USE OR DISCLOSURE WITHOUT THE CONSENT OF VALMONT INDUSTRIES IS STRICTLY PROHIBITED.

DESCRIPTION		30" DOUBLE SIDED BANNER PIPE MOUNT	
CPD NO.	DRAWN BY	ENG. APPROVAL	
	CEK	5/9/2019	
CLASS	SUB	DRAWING USAGE	CHECKED BY
81	02	CUSTOMER	BMC 5/14/2019

 A valmont COMPANY	Locations: New York, NY Atlanta, GA Los Angeles, CA Plymouth, IN Salem, OR Dallas, TX Tampa, FL
	Engineering Support Team: 1-888-753-7446
PART NO.	BPM-D30
DWG. NO.	BPM-D30



TOLERANCE NOTES

TOLERANCES ON DIMENSIONS, UNLESS OTHERWISE NOTED ARE:
 SAWED, SHEARED AND GAS CUT EDGES ($\pm 0.030"$)
 DRILLED AND GAS CUT HOLES ($\pm 0.030"$) - NO CONING OF HOLES
 LASER CUT EDGES AND HOLES ($\pm 0.010"$) - NO CONING OF HOLES
 BENDS AND ANGLES ARE $\pm 1/2$ DEGREE
 ALL OTHER MACHINING ($\pm 0.030"$)
 ALL OTHER ASSEMBLY ($\pm 0.060"$)

PROPRIETARY NOTE:
 THE DATA AND TECHNIQUES CONTAINED IN THIS DRAWING ARE PROPRIETARY INFORMATION OF VALMONT INDUSTRIES AND CONSIDERED A TRADE SECRET. ANY USE OR DISCLOSURE WITHOUT THE CONSENT OF VALMONT INDUSTRIES IS STRICTLY PROHIBITED.

DESCRIPTION
 30" DOUBLE SIDED
 BANNER PIPE MOUNT

SITE PRO 1
 A valmont COMPANY
 Engineering Support Team:
 1-888-753-7446
 Locations:
 New York, NY
 Atlanta, GA
 Los Angeles, CA
 Plymouth, IN
 Salem, OR
 Dallas, TX
 Tampa, FL

CPD NO.	DRAWN BY	ENG. APPROVAL
CLASS	DRAWING USAGE	CHECKED BY
81	CUSTOMER	BMC 5/14/2019

PART NO.	BPM-D30
DWG. NO.	BPM-D30