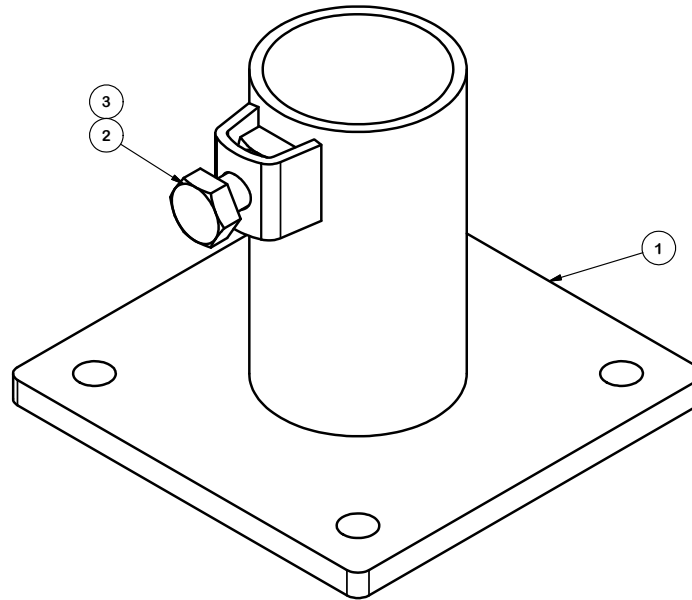


PARTS LIST						
ITEM	QTY	PART NO.	PART DESCRIPTION	LENGTH	UNIT WT.	NET WT.
1	1	X-BSF30	BASE SHOE WELDMENT FOR 2-7/8" BASE SHOE FOOT		12.90	12.90
2	1	G58134	5/8" x 1-3/4" HDG BOLT	1 3/4 in	0.27	0.27
3	1	G58SQNUT	5/8" SQUARE NUT		0.11	0.11
					<b>TOTAL WT. #</b>	<b>13.28</b>



**TOLERANCE NOTES**

**TOLERANCES ON DIMENSIONS, UNLESS OTHERWISE NOTED ARE:  
 SAWED, SHEARED AND GAS CUT EDGES ( $\pm 0.030"$ )  
 DRILLED AND GAS CUT HOLES ( $\pm 0.030"$ ) - NO CONING OF HOLES  
 LASER CUT EDGES AND HOLES ( $\pm 0.010"$ ) - NO CONING OF HOLES  
 BENDS AND ANGLES ARE  $\pm 1/2$  DEGREE  
 ALL OTHER MACHINING ( $\pm 0.030"$ )  
 ALL OTHER ASSEMBLY ( $\pm 0.060"$ )**

**PROPRIETARY NOTE:  
 THE DATA AND TECHNIQUES CONTAINED IN THIS DRAWING ARE PROPRIETARY INFORMATION OF VALMONT  
 INDUSTRIES AND CONSIDERED A TRADE SECRET. ANY USE OR DISCLOSURE WITHOUT THE CONSENT OF  
 VALMONT INDUSTRIES IS STRICTLY PROHIBITED.**

DESCRIPTION  
**BASE SHOE FOOT  
 FOR 2-7/8" O.D. PIPE**

**SITE PRO 1**  
 Engineering Support Team:  
 1-888-753-7446

Locations:  
 New York, NY  
 Atlanta, GA  
 Los Angeles, CA  
 Plymouth, IN  
 Salem, OR  
 Dallas, TX  
 Tampa, FL

A valmont COMPANY

CPD NO.	DRAWN BY <b>CEK</b>	8/9/2019	ENG. APPROVAL
CLASS <b>81</b>	SUB <b>01</b>	DRAWING USAGE <b>CUSTOMER</b>	CHECKED BY <b>BMC</b> 8/26/2019

PART NO.	<b>BSF30</b>	PAGE
DWG. NO.	<b>BSF30</b>	<b>1 OF 1</b>