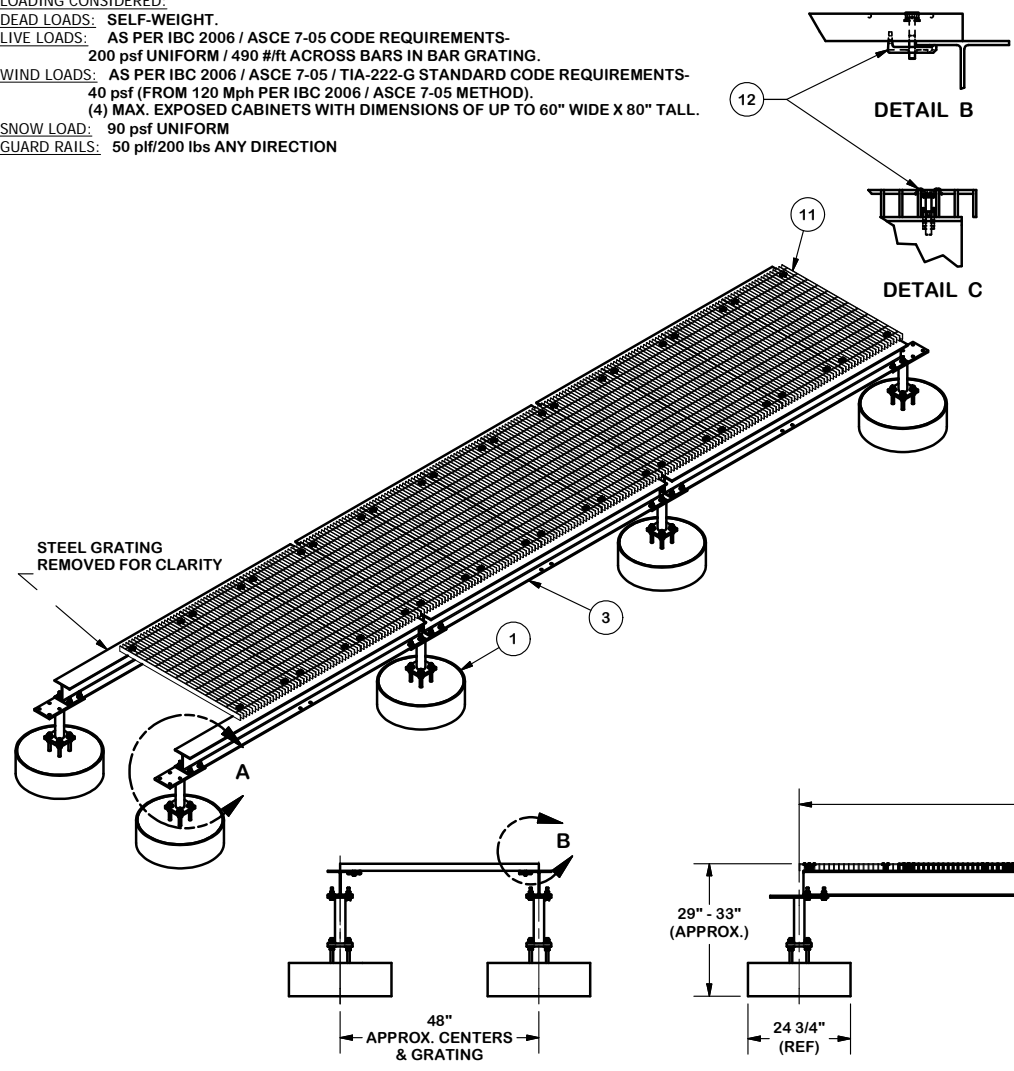
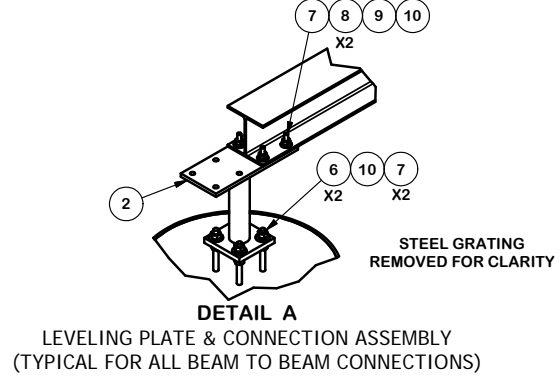


LOADING CONSIDERED:  
 DEAD LOADS: SELF-WEIGHT.  
 LIVE LOADS: AS PER IBC 2006 / ASCE 7-05 CODE REQUIREMENTS-  
 200 psf UNIFORM / 490 #/ft ACROSS BARS IN BAR GRATING.  
 WIND LOADS: AS PER IBC 2006 / ASCE 7-05 / TIA-222-G STANDARD CODE REQUIREMENTS-  
 40 psf (FROM 120 Mph PER IBC 2006 / ASCE 7-05 METHOD).  
 (4) MAX. EXPOSED CABINETS WITH DIMENSIONS OF UP TO 60" WIDE X 80" TALL.  
 SNOW LOAD: 90 psf UNIFORM  
 GUARD RAILS: 50 plf/200 lbs ANY DIRECTION



PARTS LIST						
ITEM	QTY	PART NO.	PART DESCRIPTION	LENGTH	UNIT WT.	NET WT.
1	8	PAD-C	CONCRETE PAD FOR PLATFORM		327.78	2622.24
2	8	X-151785	FOUNDATION CONNECTION ASSEMBLY FOR EQUIPMENT PLATFORM		35.97	287.80
3	6	X-151588	W6 X 15# WIDE FLANGE (Fy=35 Ksi Min)		123.90	743.40
4	64	G58FW	5/8" HDG USS FLATWASHER		0.07	4.50
5	30	G58LW	5/8" HDG LOCKWASHER		0.03	0.78
6	64	G58NUT	5/8" HDG HEAVY 2H HEX NUT		0.13	8.30
7	48	G12212	1/2" x 2-1/2" HDG HEX BOLT GR5	2 1/2 in	0.20	9.77
8	96	G12FW	1/2" HDG USS FLATWASHER		0.03	3.27
9	48	G12LW	1/2" HDG LOCKWASHER		0.01	0.67
11	12	X-151787	STEEL GRATING - 24"W X 48"L - BEARING BAR 1 3/4" X 3/16"		97.27	1167.18
12	48	X-151174	BAR GRATING CONNECTION (LGF037)		0.36	17.04
10	48	G12NUT	1/2" HDG HEAVY 2H HEX NUT		0.07	3.43
					TOTAL WT. #	4868.41



**TOLERANCE NOTES**  
 TOLERANCES ON DIMENSIONS, UNLESS OTHERWISE NOTED ARE:  
 SAWED, SHEARED AND GAS CUT EDGES ( $\pm 0.030"$ )  
 DRILLED AND GAS CUT HOLES ( $\pm 0.030"$ ) - NO CONING OF HOLES  
 LASER CUT EDGES AND HOLES ( $\pm 0.010"$ ) - NO CONING OF HOLES  
 BENDS ARE  $\pm 1/2$  DEGREE  
 ALL OTHER MACHINING ( $\pm 0.030"$ )  
 ALL OTHER ASSEMBLY ( $\pm 0.060"$ )

**PROPRIETARY NOTE:**  
 THE DATA AND TECHNIQUES CONTAINED IN THIS DRAWING ARE PROPRIETARY INFORMATION OF VALMONT INDUSTRIES AND CONSIDERED A TRADE SECRET. ANY USE OR DISCLOSURE WITHOUT THE CONSENT OF VALMONT INDUSTRIES IS STRICTLY PROHIBITED.

DESCRIPTION		EQUIPMENT PLATFORM BASE UNIT ASSEMBLY 4' X 24'	
CPD NO.	DRAWN BY	ENG. APPROVAL	
	KC8 9/25/2012		
CLASS	DRAWING USAGE	CHECKED BY	
81	01 CUSTOMER	CEK 2/18/2013	

 A valmont COMPANY	Locations: New York, NY Atlanta, GA Los Angeles, CA Plymouth, IN Salem, OR Dallas, TX
	Engineering Support Team: 1-888-753-7446
PART NO.	BTS424-C
DWG. NO.	BTS424-C