

**LOADING CONSIDERED:**

**DEAD LOADS:** SELF-WEIGHT.

**LIVE LOADS:** AS PER IBC 2006 / ASCE 7-05 CODE REQUIREMENTS-  
200 Psf UNIFORM / 490 #/ft ACROSS BARS IN BAR GRATING.

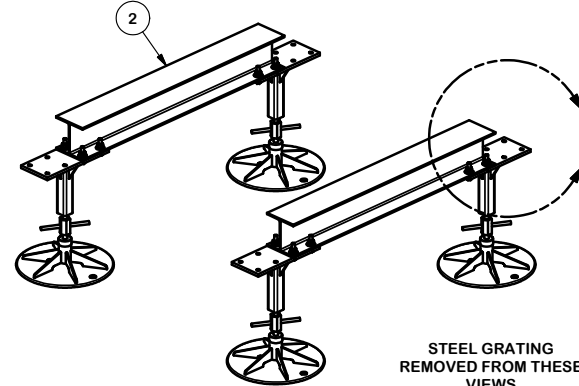
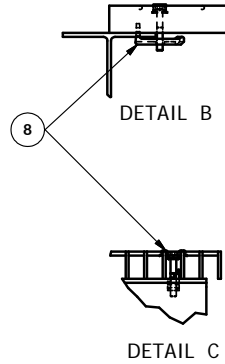
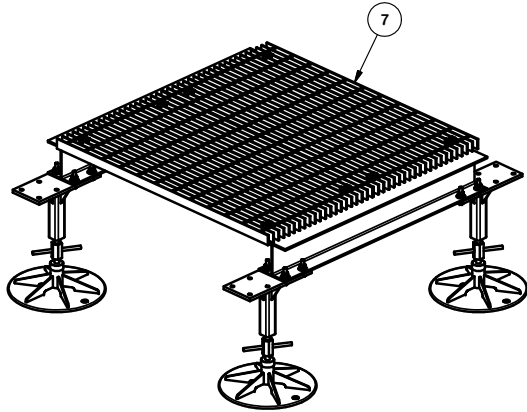
**WIND LOADS:** AS PER IBC 2006 / ASCE 7-05 / TIA-222-G STANDARD CODE REQUIREMENTS-  
40 Psf (FROM 120 Mph PER IBC2006 / ASCE 7-05 METHOD).

(4) MAX. EXPOSED CABINETS WITH DIMENSION OF UP TO 60" WIDE X 80" TALL.

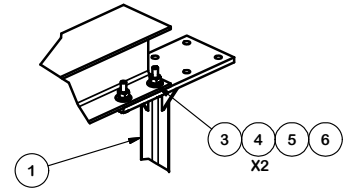
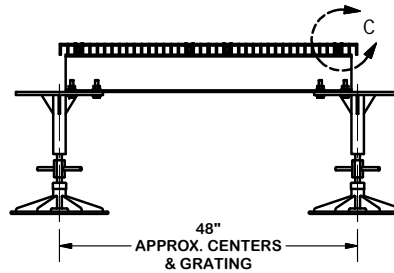
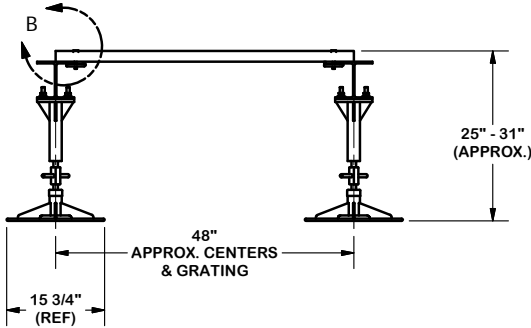
**SNOW LOAD:** 90 psf UNIFORM

**GUARD RAILS:** 50 plf/200 lbs ANY DIRECTION

PARTS LIST						
ITEM	QTY	PART NO.	PART DESCRIPTION	LENGTH	UNIT WT.	NET WT.
1	4	PAD-S	ADJUSTABLE STEEL PAD FOR BTS PLATFORMS		50.00	200.00
2	2	X-197306	W6 X 15# WIDE FLANGE (Fy=35 Ksi Min)		60.58	121.16
3	16	G12212	1/2" x 2-1/2" HDG HEX BOLT GR5		0.20	3.26
4	32	G12FW	1/2" HDG USS FLATWASHER		0.03	1.09
5	16	G12LW	1/2" HDG LOCKWASHER		0.01	0.22
6	16	G12NUT	1/2" HDG HEAVY 2H HEX NUT		0.07	1.14
7	2	X-151787	STEEL GRATING - 24"W X 48"L - BEARING BAR 1 3/4" X 3/16"		97.27	194.53
8	8	X-151174	BAR GRATING CONNECTION (LGF037)		0.36	2.84
					<b>TOTAL WT. #</b>	<b>524.24</b>



STEEL GRATING  
REMOVED FROM THESE  
VIEWS  
FOR CLARITY



DETAIL A

**TOLERANCE NOTES**

TOLERANCES ON DIMENSIONS, UNLESS OTHERWISE NOTED ARE:  
SAWED, SHEARED AND GAS CUT EDGES ( $\pm 0.030"$ )  
DRILLED AND GAS CUT HOLES ( $\pm 0.030"$ ) - NO CONING OF HOLES  
LASER CUT EDGES AND HOLES ( $\pm 0.010"$ ) - NO CONING OF HOLES  
BENDS ARE  $\pm 1/2$  DEGREE  
ALL OTHER MACHINING ( $\pm 0.030"$ )  
ALL OTHER ASSEMBLY ( $\pm 0.060"$ )

PROPRIETARY NOTE:  
THE DATA AND TECHNIQUES CONTAINED IN THIS DRAWING ARE PROPRIETARY INFORMATION OF VALMONT INDUSTRIES AND CONSIDERED A TRADE SECRET. ANY USE OR DISCLOSURE WITHOUT THE CONSENT OF VALMONT INDUSTRIES IS STRICTLY PROHIBITED.

DESCRIPTION		
EQUIPMENT PLATFORM BASE UNIT ASSEMBLY 4' X 4' W/ STEEL PADS		

CPD NO. 3718	DRAWN BY KC8	ENG. APPROVAL 3/9/2011
CLASS 81	SUB 01	DRAWING USAGE CUSTOMER
CHECKED BY CEK		2/18/2013

**SITE PRO 1**  
A valmont COMPANY

Engineering Support Team:  
1-888-753-7446

Locations:  
New York, NY  
Atlanta, GA  
Los Angeles, CA  
Plymouth, IN  
Salem, OR  
Dallas, TX

PART NO.	BTS44-S	PAGE 1 OF 1
DWG. NO.	BTS44-S	