

**LOADING CONSIDERED:**

**DEAD LOADS:** SELF-WEIGHT.

**LIVE LOADS:** AS PER IBC 2006 / ASCE 7-05 CODE REQUIREMENTS-  
200 psf UNIFORM / 490 #/ft ACROSS BARS IN BAR GRATING.

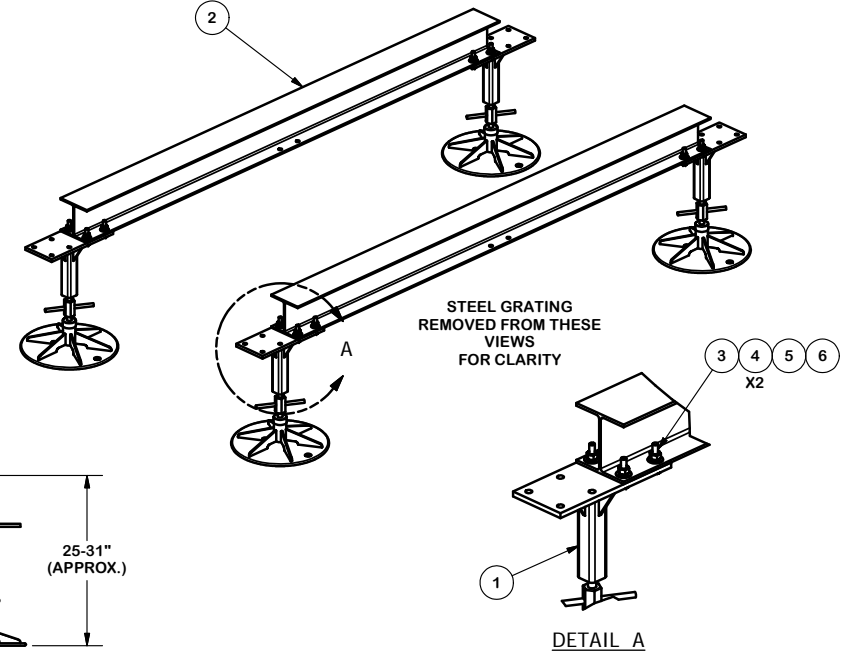
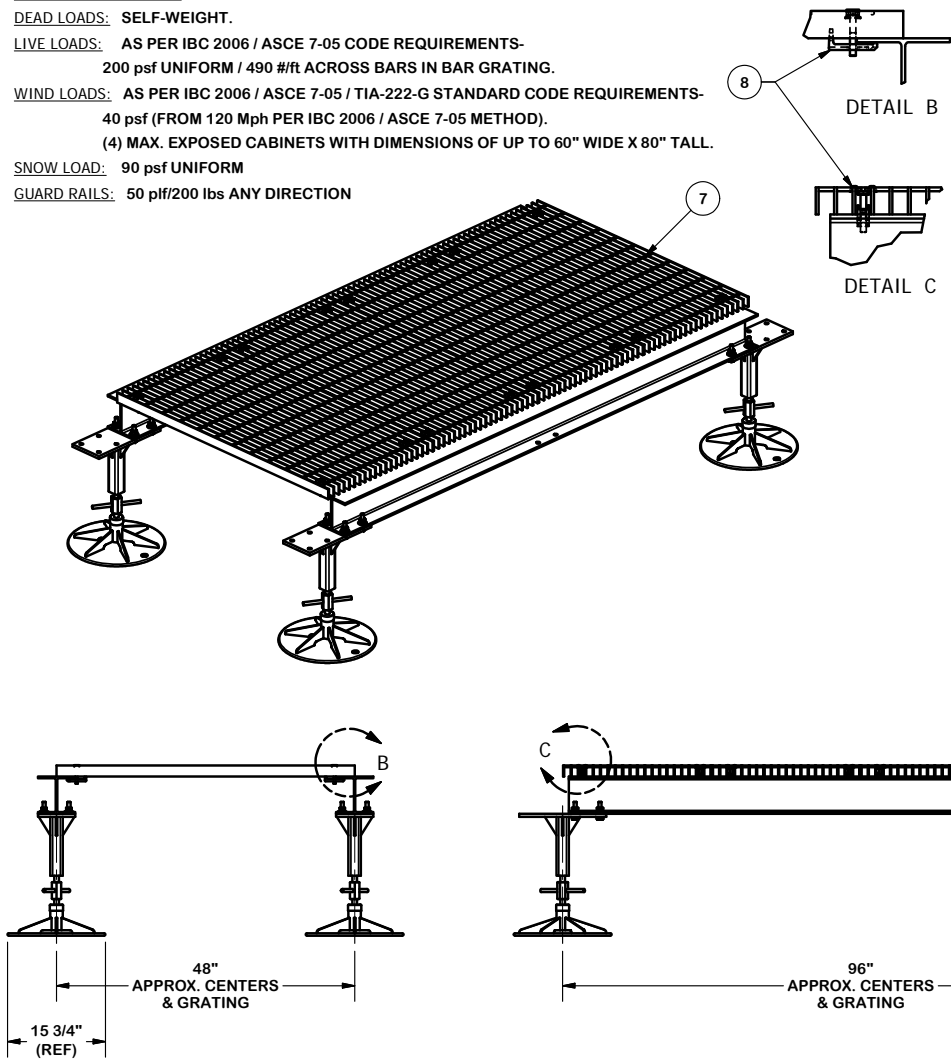
**WIND LOADS:** AS PER IBC 2006 / ASCE 7-05 / TIA-222-G STANDARD CODE REQUIREMENTS-  
40 psf (FROM 120 Mph PER IBC 2006 / ASCE 7-05 METHOD).

(4) MAX. EXPOSED CABINETS WITH DIMENSIONS OF UP TO 60" WIDE X 80" TALL.

**SNOW LOAD:** 90 psf UNIFORM

**GUARD RAILS:** 50 plf/200 lbs ANY DIRECTION

PARTS LIST						
ITEM	QTY	PART NO.	PART DESCRIPTION	LENGTH	UNIT WT.	NET WT.
1	4	PAD-S	ADJUSTABLE STEEL PAD FOR BTS PLATFORMS		50.00	200.00
2	2	X-151588	W6 X 15# WIDE FLANGE (Fy=35 Ksi Min)		123.90	247.80
3	16	G12212	1/2" x 2-1/2" HDG HEX BOLT GR5	2.5	0.20	3.26
4	32	G12FW	1/2" HDG USS FLATWASHER		0.03	1.09
5	16	G12LW	1/2" HDG LOCKWASHER		0.01	0.22
6	16	G12NUT	1/2" HDG HEAVY 2H HEX NUT		0.07	1.15
7	4	X-151787	STEEL GRATING - 24"W X 48"L - BEARING BAR 1 3/4" X 3/16"		97.27	389.06
8	16	X-151174	BAR GRATING CONNECTION (LGF037)		0.36	5.68
					<b>TOTAL WT. #</b>	<b>848.26</b>



**TOLERANCE NOTES**

**TOLERANCES ON DIMENSIONS, UNLESS OTHERWISE NOTED ARE:**  
 SAWED, SHEARED AND GAS CUT EDGES ( $\pm 0.030$ ")  
 DRILLED AND GAS CUT HOLES ( $\pm 0.030$ ") - NO CONING OF HOLES  
 LASER CUT EDGES AND HOLES ( $\pm 0.010$ ") - NO CONING OF HOLES  
 BENDS ARE  $\pm 1/2$  DEGREE  
 ALL OTHER MACHINING ( $\pm 0.030$ ")  
 ALL OTHER ASSEMBLY ( $\pm 0.060$ ")

**PROPRIETARY NOTE:**  
 THE DATA AND TECHNIQUES CONTAINED IN THIS DRAWING ARE PROPRIETARY INFORMATION OF VALMONT INDUSTRIES AND CONSIDERED A TRADE SECRET. ANY USE OR DISCLOSURE WITHOUT THE CONSENT OF VALMONT INDUSTRIES IS STRICTLY PROHIBITED.

DESCRIPTION	
EQUIPMENT PLATFORM BASE UNIT ASSEMBLY 4' X 8' W/ STEEL PADS	

**SITE PRO 1**  
 Engineering Support Team:  
 1-888-753-7446

Locations:  
 New York, NY  
 Atlanta, GA  
 Los Angeles, CA  
 Plymouth, IN  
 Salem, OR  
 Dallas, TX

A valmont COMPANY

CPD NO. 3718	DRAWN BY KC8 5/17/2011	ENG. APPROVAL
CLASS 81	SUB 01	DRAWING USAGE CUSTOMER
CHECKED BY BMC 1/3/2013		

PART NO. BTS48-S	DWG. NO. BTS48-S