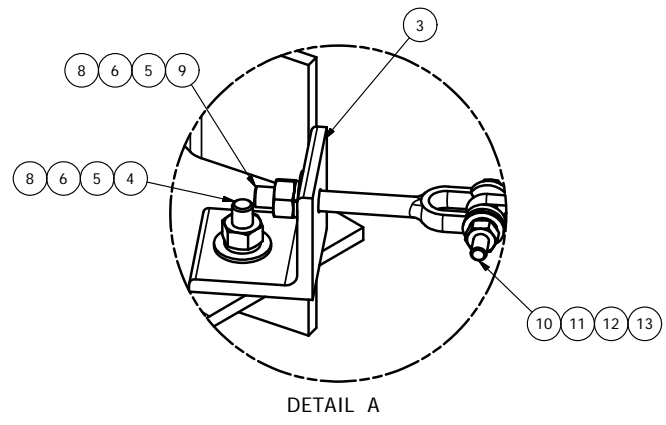


PARTS LIST						
ITEM	QTY	PART NO.	PART DESCRIPTION	LENGTH	UNIT WT.	NET WT.
1	4	SHCM-W	CHAIN MOUNT WELDMENT		14.59	58.36
2	4	GC40475	1/4" x GR40 GALV. CHAIN 4.75'		1.70	6.80
3	8	SHCM-T	CHAIN MOUNT TIGHTENER BRACKET	3 in	1.75	14.03
4	8	G1202	1/2" x 2" HDG HEX BOLT GR5	2 in	0.18	1.41
5	24	G12FW	1/2" HDG USS FLATWASHER		0.03	0.82
6	24	G12LW	1/2" HDG LOCKWASHER		0.01	0.33
7	4	X-UB1212	1/2" X 2-1/2" X 4-1/2" X 2" U-BOLT (HDG.)		0.63	2.50
7	4	X-UB1458	1/2" X 4-5/8" X 7" X 3" U-BOLT (HDG.)		0.97	1.94
8	24	G12NUT	1/2" HDG HEAVY 2H HEX NUT		0.07	1.72
9	8	JB4	1/2" JAW BOLT (GALV)		0.45	3.57
10	8	G38212	3/8" x 2-1/2" HDG HEX BOLT GR5		0.10	0.82
11	6	G38FW	3/8" HDG USS FLATWASHER		0.01	0.07
12	6	G38LW	3/8" HDG LOCKWASHER		0.01	0.04
13	6	G38NUT	3/8" HDG HEAVY 2H HEX NUT		0.03	0.20
					TOTAL WT. #	92.61



**TOLERANCE NOTE**  
**TOLERANCES ON DIMENSIONS, UNLESS OTHERWISE NOTED ARE:**  
**SAWED, SHEARED AND GAS CUT EDGES ( $\pm 0.030"$ )**  
**DRILLED AND GAS CUT HOLES ( $\pm 0.030"$ ) - NO CONING OF HOLES**  
**LASER CUT EDGES AND HOLES ( $\pm 0.010"$ ) - NO CONING OF HOLES**  
**BENDS ARE  $\pm 1/2$  DEGREE - ALL OTHER MACHINING ( $\pm 0.030"$ )**  
**ALL OTHER ASSEMBLY ( $\pm 0.060"$ )**

**PROPRIETARY NOTE**  
 THE DATA AND TECHNIQUES CONTAINED IN THIS DRAWING ARE PROPRIETARY INFORMATION OF VALMONT INDUSTRIES AND CONSIDERED A TRADE SECRET. ANY USE OR DISCLOSURE WITHOUT THE CONSENT OF VALMONT INDUSTRIES IS STRICTLY PROHIBITED.

DESCRIPTION		DOUBLE SECTOR CHAIN MOUNT	
DRAWN BY	CPD NO.	DRAWING USAGE	PART NO.
CEK	1/12/2012	CUSTOMER	CHM2
ENG. APPROVAL	CHECKED BY	DWG. NO.	CHM2
	BMC	1/16/2012	

**SITE PRO 1**  
 Engineering Support Team: 1-888-753-7446  
 Locations: New York, NY; Atlanta, GA; Los Angeles, CA; Plymouth, IN; Salem, OR; Dallas, TX

A valmont COMPANY