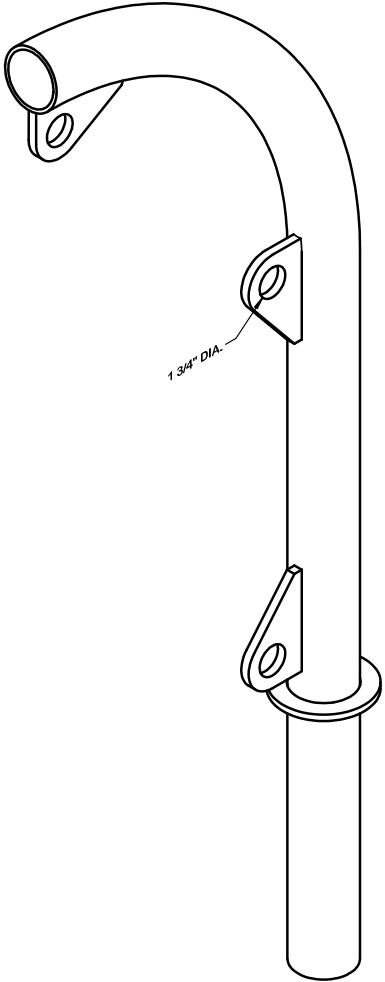


PARTS LIST						
ITEM	QTY	PART NO.	PART DESCRIPTION	LENGTH	UNIT WT.	NET WT.
1	1	COH66	CURVED OUTRIGGER HOIST		55.92	55.92




**NOTE**  
 SEE PAGE 2 FOR STANDARD LOAD CHART.  
 SLIPS INSIDE 4" Sch. 40 (4-1/2" O.D.) PIPE.  
 MUST BE USED BY COMPETENT PERSONS ONLY  
 ALL EXISTING STRUCTURES -  
 SHALL BE APPROVED BY A QUALIFIED PERSON  
 ALL OTHER LIFTING SCENARIOS SHALL BE -  
 CONSIDERED SPECIAL ENGINEERED LIFTS

REV	DESCRIPTION OF REVISIONS	CPD	BY	DATE
A	UPDATED ENGINEERING TO REV. G	5476	CEK	10/1/2013
REVISION HISTORY				

**TOLERANCE NOTES**  
 TOLERANCES ON DIMENSIONS, UNLESS OTHERWISE NOTED ARE:  
 SAWED, SHEARED AND GAS CUT EDGES ( $\pm 0.030"$ )  
 DRILLED AND GAS CUT HOLES ( $\pm 0.030"$ ) - NO CONING OF HOLES  
 LASER CUT EDGES AND HOLES ( $\pm 0.010"$ ) - NO CONING OF HOLES  
 BENDS ARE  $\pm 1/2$  DEGREE  
 ALL OTHER MACHINING ( $\pm 0.030"$ )  
 ALL OTHER ASSEMBLY ( $\pm 0.060"$ )

PROPRIETARY NOTE:  
 THE DATA AND TECHNIQUES CONTAINED IN THIS DRAWING ARE PROPRIETARY INFORMATION OF VALMONT INDUSTRIES AND CONSIDERED A TRADE SECRET. ANY USE OR DISCLOSURE WITHOUT THE CONSENT OF VALMONT INDUSTRIES IS STRICTLY PROHIBITED.

DESCRIPTION		CURVED OUTRIGGER HOIST	
CPD NO.	5476	DRAWN BY	CEK 7/23/2013
CLASS	78	DRAWING USAGE	CUSTOMER
SUB	02	CHECKED BY	BMC 10/1/2013
ENG. APPROVAL		WRH 10/1/2013	

 A valmont COMPANY	Locations: New York, NY Atlanta, GA Los Angeles, CA Plymouth, IN Salem, OR Dallas, TX
	Engineering Support Team: 1-888-753-7446
PART NO.	COH66
DWG. NO.	COH66

IDENTIFICATION NO. COH66  
 POLE SIZE: 3-1/2" CLASS A

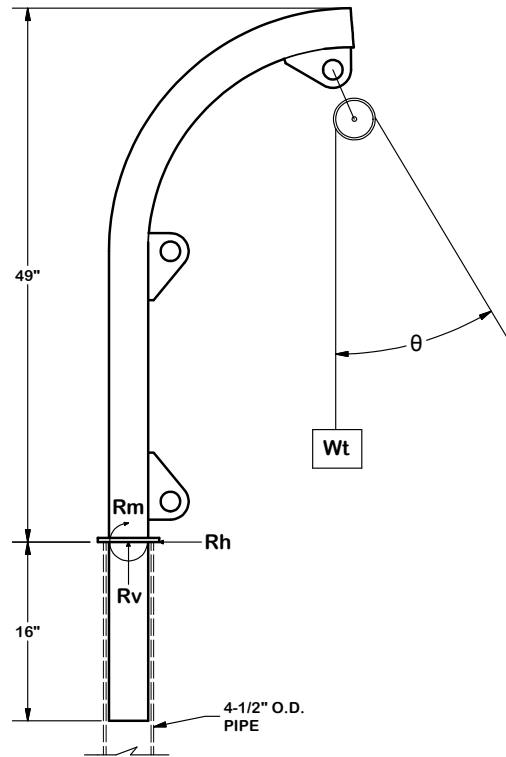
Wt = ALLOWABLE LOAD 2 PARTED (lbs.)

Rm = MOMENT REACTION (k-ft)

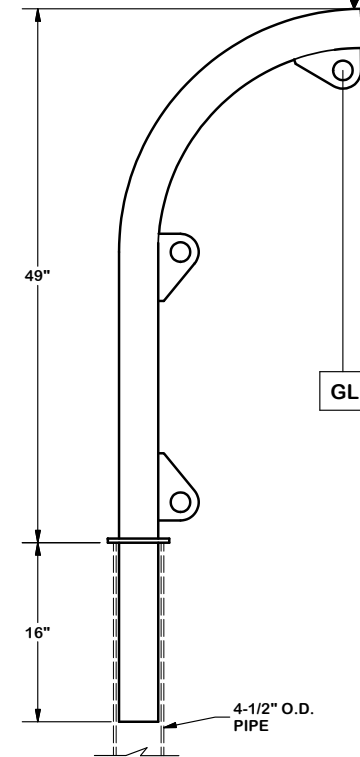
Rh = HORIZONTAL REACTION (lbs.)

Rv = VERTICAL REACTION (lbs.)

LOAD CHART		
LOAD ANGLE $\theta = 3$	Wt	600
	Rm	5.624
	Rh	72
	Rv	2836
LOAD ANGLE $\theta = 5$	Wt	593
	Rm	5.657
	Rh	117
	Rv	2762
LOAD ANGLE $\theta = 10$	Wt	547
	Rm	5.71
	Rh	221
	Rv	2579
LOAD ANGLE $\theta = 20$	Wt	487
	Rm	5.713
	Rh	383
	Rv	2252
LOAD ANGLE $\theta = 30$	Wt	443
	Rm	5.683
	Rh	511
	Rv	1976



GL = GROSS LOAD (single line  $\theta = 0$ ) = 1200 lbs.



**TOLERANCE NOTES**

TOLERANCES ON DIMENSIONS, UNLESS OTHERWISE NOTED ARE:  
 SAWED, SHEARED AND GAS CUT EDGES ( $\pm 0.030"$ )  
 DRILLED AND GAS CUT HOLES ( $\pm 0.030"$ ) - NO CONING OF HOLES  
 LASER CUT EDGES AND HOLES ( $\pm 0.010"$ ) - NO CONING OF HOLES  
 BENDS ARE  $\pm 1/2$  DEGREE  
 ALL OTHER MACHINING ( $\pm 0.030"$ )  
 ALL OTHER ASSEMBLY ( $\pm 0.060"$ )

PROPRIETARY NOTE:  
 THE DATA AND TECHNIQUES CONTAINED IN THIS DRAWING ARE PROPRIETARY INFORMATION OF VALMONT INDUSTRIES AND CONSIDERED A TRADE SECRET. ANY USE OR DISCLOSURE WITHOUT THE CONSENT OF VALMONT INDUSTRIES IS STRICTLY PROHIBITED.

DESCRIPTION		CURVED OUTRIGGER HOIST	
CPD NO.	5476	DRAWN BY	CEK 7/23/2013
CLASS	78	DRAWING USAGE	CUSTOMER
SUB	02	ENG. APPROVAL	WRH 10/1/2013
		CHECKED BY	BMC 10/1/2013

	Engineering Support Team: 1-888-753-7446	Locations: New York, NY Atlanta, GA Los Angeles, CA Plymouth, IN Salem, OR Dallas, TX
	PART NO. <b>COH66</b>	DWG. NO. <b>COH66</b>

REV	DESCRIPTION OF REVISIONS	CPD	BY	DATE
A	UPDATED ENGINEERING TO REV. G	5476	CEK	10/1/2013