

DETAIL A

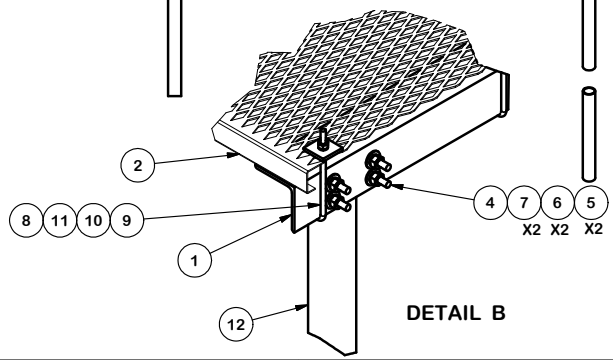
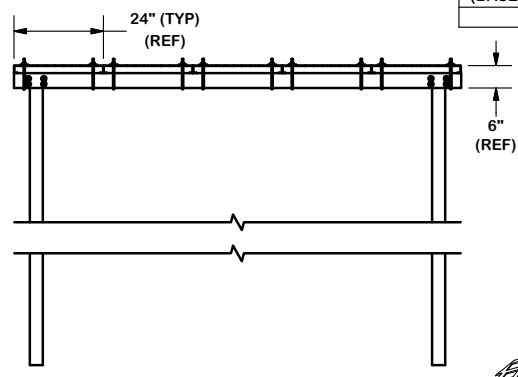
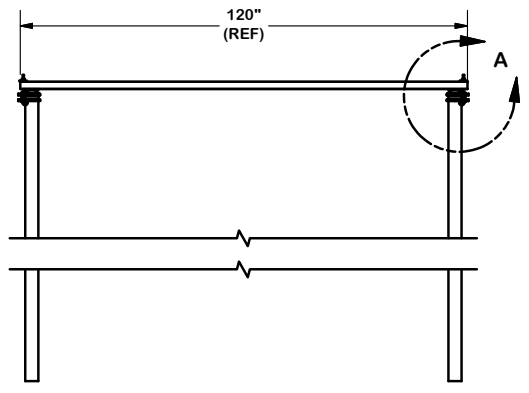
COMMON PARTS LIST						
ITEM	QTY	PART NO.	PART DESCRIPTION	LENGTH	UNIT WT.	NET WT.
1	2	X-COV10	4" X 4" x 1/4" ANGLE (A36)	120 in	66.32	132.64
2	5	GRS24	24" X 10' GRIP SPAN BRIDGE CHANNEL		67.98	339.88
3	4	PC312	3-1/2" FENCE POST CAP		0.59	2.34
4	8	X-UB1358	1/2" X 3-5/8" X 5-1/2" X 3" U-BOLT (HDG.)		0.81	6.49
5	16	G12NUT	1/2" HDG HEAVY 2H HEX NUT		0.07	1.14
6	16	G12LW	1/2" HDG LOCKWASHER		0.01	0.22
7	16	G12FW	1/2" HDG USS FLATWASHER		0.03	0.54
8	20	X-JB8	X-JB8		0.33	6.55
9	20	G38NUT	3/8" HDG HEAVY 2H HEX NUT		0.03	0.68
10	20	G38LW	3/8" HDG LOCKWASHER		0.01	0.13
11	20	SQW38	3/8" SQUARE WASHER (GALV.)	2 in	0.27	5.46

VARIABLE PARTS LIST							
ASSEMBLY "A"	ITEM	QTY	PART NO.	PART DESCRIPTION	LENGTH	UNIT WT.	NET WT.
COV1010 (BURIAL)	12	4	P3160	3" SCH 40 PIPE (3.5 O.D. x .216" WALL) A500	160 in	101.25	404.99

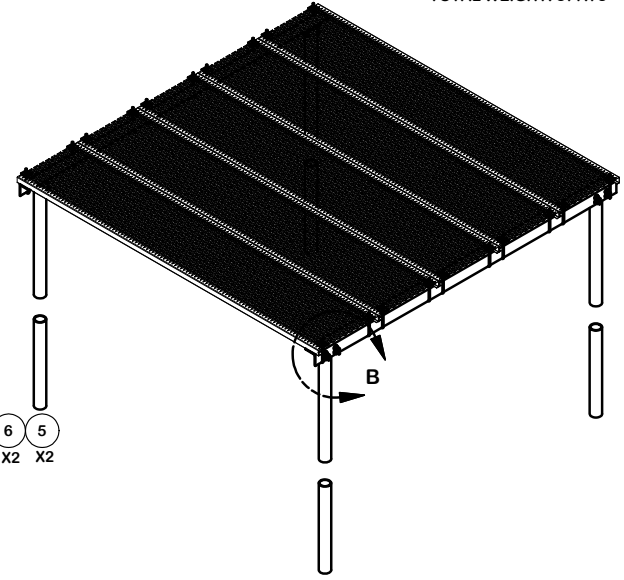
TOTAL WEIGHT: 901.14

VARIABLE PARTS LIST							
ASSEMBLY "A"	ITEM	QTY	PART NO.	PART DESCRIPTION	LENGTH	UNIT WT.	TOTAL WEIGHT
COV1010-B (BASE SHOE)	12	4	X-SP126	BASE SHOE PLATE PIPE COLUMN	126 in	92.98	371.93
		16	SWA585	5/8" X 5" STAINLESS WEDGE ANCHOR		.61	9.70

TOTAL WEIGHT: 877.78



DETAIL B



TOLERANCE NOTES
 TOLERANCES ON DIMENSIONS, UNLESS OTHERWISE NOTED ARE:
 SAWED, SHEARED AND GAS CUT EDGES ($\pm 0.030"$)
 DRILLED AND GAS CUT HOLES ($\pm 0.030"$) - NO CONING OF HOLES
 LASER CUT EDGES AND HOLES ($\pm 0.010"$) - NO CONING OF HOLES
 BENDS ARE $\pm 1/2$ DEGREE
 ALL OTHER MACHINING ($\pm 0.030"$)
 ALL OTHER ASSEMBLY ($\pm 0.060"$)

PROPRIETARY NOTE:
 THE DATA AND TECHNIQUES CONTAINED IN THIS DRAWING ARE PROPRIETARY INFORMATION OF VALMONT INDUSTRIES AND CONSIDERED A TRADE SECRET. ANY USE OR DISCLOSURE WITHOUT THE CONSENT OF VALMONT INDUSTRIES IS STRICTLY PROHIBITED.

DESCRIPTION		
PLATFORM CANOPY 10' X 10' BURIAL OR BASE SHOE		
CPD NO.	DRAWN BY	ENG. APPROVAL
	KC8 8/24/2012	
CLASS	SUB	DRAWING USAGE
81	01	CUSTOMER
		CHECKED BY
		BMC 7/3/2013

<p>Engineering Support Team: 1-888-753-7446</p> <p>Locations: New York, NY Atlanta, GA Los Angeles, CA Plymouth, IN Salem, OR Dallas, TX</p>	PART NO.	SEE ASSEMBLY "A"
	DWG. NO.	COV1010

REV	DESCRIPTION OF REVISIONS	CPD	BY	DATE
A	X-COV10 TO QTY 2, UPDATED LENGTH & WTS		KC8	7/1/13