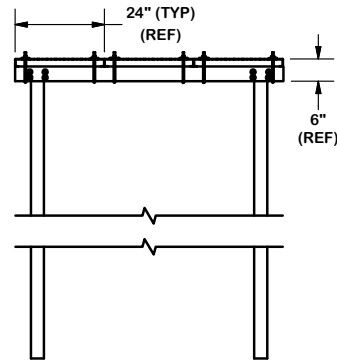
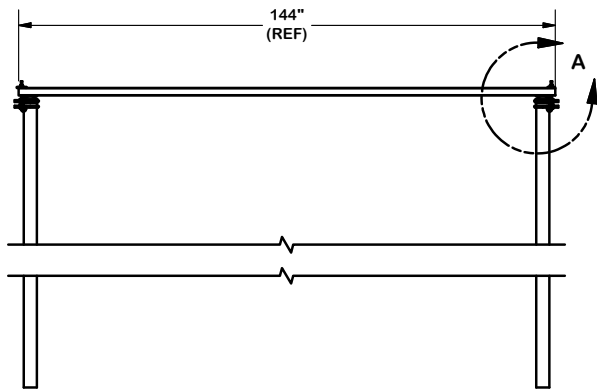


DETAIL A



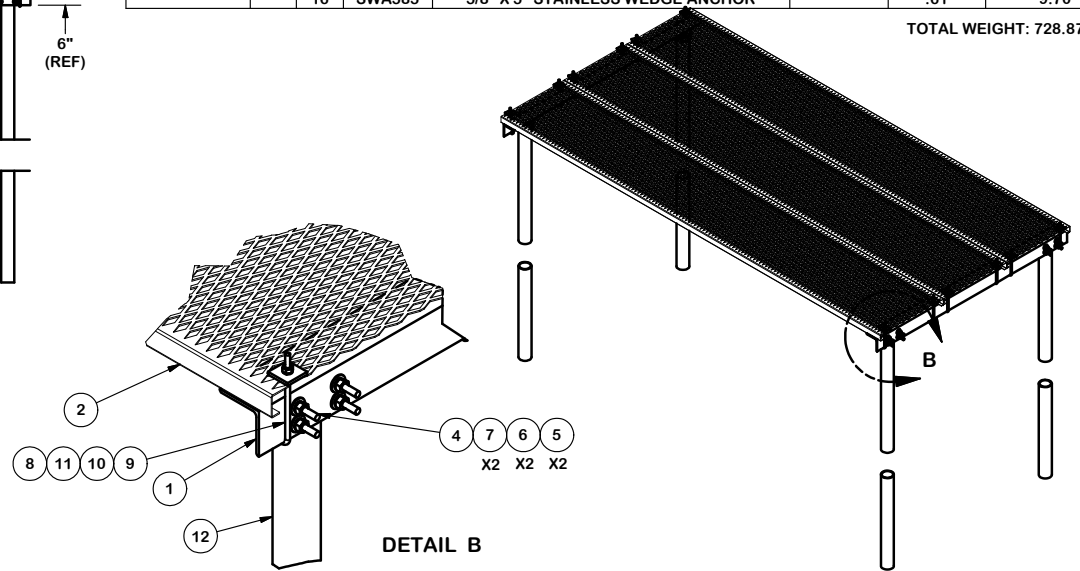
COMMON PARTS LIST						
ITEM	QTY	PART NO.	PART DESCRIPTION	LENGTH	UNIT WT.	NET WT.
1	2	X-COV6	4" X 4" x 1/4" ANGLE (A36)	72 in	41.81	83.62
2	3	GRS24-12	24" X 12' GRIP SPAN BRIDGE CHANNEL		81.68	245.04
3	4	PC312	3-1/2" FENCE POST CAP		0.59	2.34
4	8	X-UB1306	1/2" X 3-5/8" X 6" X 3" U-BOLT (HDG.)		0.81	6.49
5	16	G12NUT	1/2" HDG HEAVY 2H HEX NUT		0.07	1.14
6	16	G12LW	1/2" HDG LOCKWASHER		0.01	0.22
7	16	G12FW	1/2" HDG USS FLATWASHER		0.03	0.54
8	12	X-JB8	J-BOLT, 3/8" X 8" X 6" THREADED		0.33	3.93
9	12	G38NUT	3/8" HDG HEAVY 2H HEX NUT		0.03	0.41
10	12	G38LW	3/8" HDG LOCKWASHER		0.01	0.08
11	12	SQW38	3/8" SQUARE WASHER (GALV.)	2 in	0.27	3.28

VARIABLE PARTS LIST							
ASSEMBLY "A"	ITEM	QTY	PART NO.	PART DESCRIPTION	LENGTH	UNIT WT.	NET WT.
COV612 (BURIAL)	12	4	P3160	3" SCH 40 PIPE (3.5 O.D. x .216" WALL) A500	160 in	101.25	404.99

TOTAL WEIGHT: 752.23

VARIABLE PARTS LIST							
ASSEMBLY "A"	ITEM	QTY	PART NO.	PART DESCRIPTION	LENGTH	UNIT WT.	TOTAL WEIGHT
COV612-B (BASE SHOE)	12	4	X-SP126	BASE SHOE PLATE PIPE COLUMN	126 in	92.98	371.93
		16	SWA585	5/8" X 5" STAINLESS WEDGE ANCHOR		.61	9.70

TOTAL WEIGHT: 728.87



DETAIL B

**TOLERANCE NOTES**

TOLERANCES ON DIMENSIONS, UNLESS OTHERWISE NOTED ARE:  
 SAWED, SHEARED AND GAS CUT EDGES ( $\pm 0.030"$ )  
 DRILLED AND GAS CUT HOLES ( $\pm 0.030"$ ) - NO CONING OF HOLES  
 LASER CUT EDGES AND HOLES ( $\pm 0.010"$ ) - NO CONING OF HOLES  
 BENDS ARE  $\pm 1/2$  DEGREE  
 ALL OTHER MACHINING ( $\pm 0.030"$ )  
 ALL OTHER ASSEMBLY ( $\pm 0.060"$ )

PROPRIETARY NOTE:  
 THE DATA AND TECHNIQUES CONTAINED IN THIS DRAWING ARE PROPRIETARY INFORMATION OF VALMONT INDUSTRIES AND CONSIDERED A TRADE SECRET. ANY USE OR DISCLOSURE WITHOUT THE CONSENT OF VALMONT INDUSTRIES IS STRICTLY PROHIBITED.

DESCRIPTION  
 PLATFORM CANOPY  
 12' X 6' BURIAL OR BASE SHOE

**SITE PRO 1**  
 Engineering Support Team:  
 1-888-753-7446  
 Locations:  
 New York, NY  
 Atlanta, GA  
 Los Angeles, CA  
 Plymouth, IN  
 Salem, OR  
 Dallas, TX

CPD NO.	DRAWN BY	ENG. APPROVAL
	KC8 8/24/2012	
CLASS	DRAWING USAGE	CHECKED BY
81	CUSTOMER	BMC 7/2/2013

PART NO.	SEE ASSEMBLY "A"
DWG. NO.	COV612

A	X-COV6 TO QTY 2, ITEM 2 "-12", UPDATED LENGTH & WTS	KC8	7/1/13
REV	DESCRIPTION OF REVISIONS	CPD	BY DATE