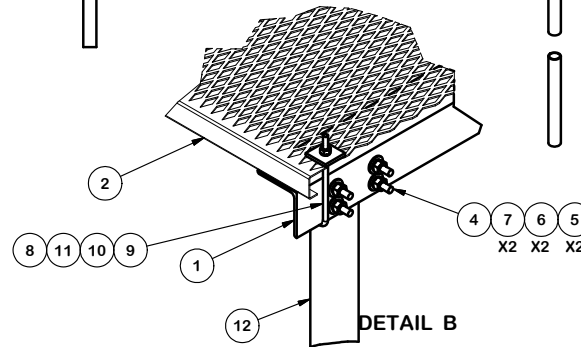
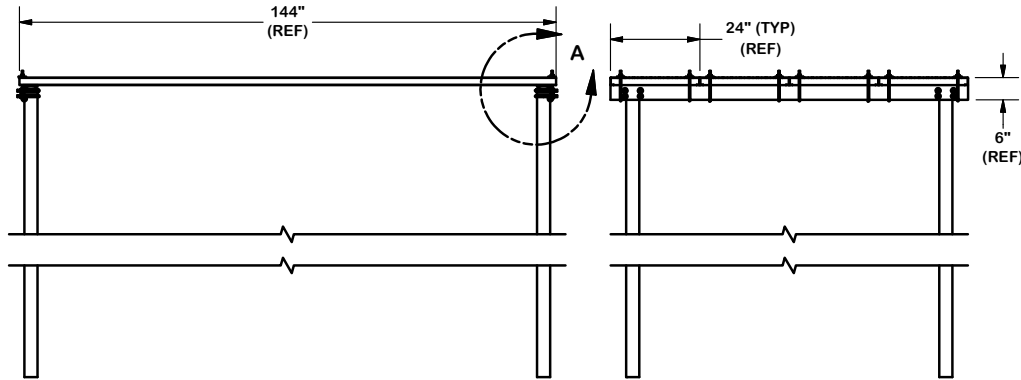
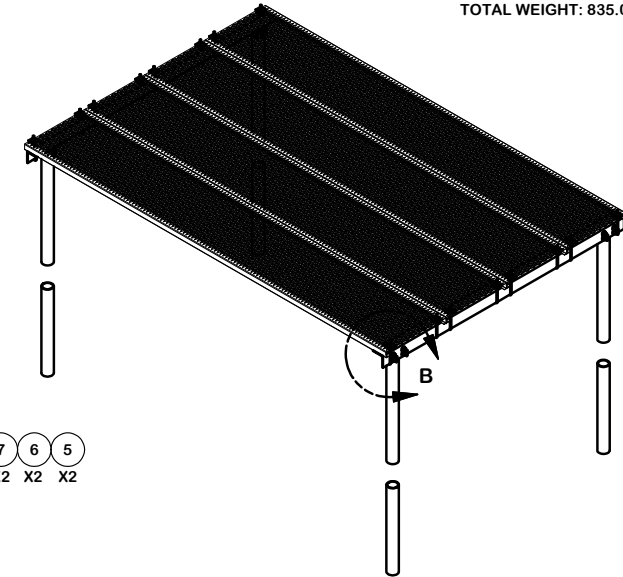


DETAIL A



DETAIL B



COMMON PARTS LIST

| ITEM | QTY | PART NO. | PART DESCRIPTION | LENGTH | UNIT WT. | NET WT. |
|------|-----|----------|---|--------|----------|---------|
| 1 | 2 | X-COV8 | 4" X 4" x 1/4" ANGLE (A36) | 96 in | 53.00 | 106.00 |
| 2 | 4 | GRS24-12 | 24" X 12' GRIP SPAN BRIDGE CHANNEL | | 81.68 | 326.72 |
| 3 | 4 | PC312 | 3-1/2" FENCE POST CAP | | 0.59 | 2.34 |
| 4 | 8 | X-UB1358 | 1/2" X 3-5/8" X 5-1/2" X 3" U-BOLT (HDG.) | | 0.81 | 6.49 |
| 5 | 16 | G12NUT | 1/2" HDG HEAVY 2H HEX NUT | | 0.07 | 1.14 |
| 6 | 16 | G12LW | 1/2" HDG LOCKWASHER | | 0.01 | 0.22 |
| 7 | 16 | G12FW | 1/2" HDG USS FLATWASHER | | 0.03 | 0.54 |
| 8 | 16 | X-JB8 | X-JB8 | | 0.33 | 5.24 |
| 9 | 16 | G38NUT | 3/8" HDG HEAVY 2H HEX NUT | | 0.03 | 0.54 |
| 10 | 16 | G38LW | 3/8" HDG LOCKWASHER | | 0.01 | 0.11 |
| 11 | 16 | SQW38 | 3/8" SQUARE WASHER (GALV.) | 2 in | 0.27 | 4.37 |

VARIABLE PARTS LIST

| ASSEMBLY "A" | ITEM | QTY | PART NO. | PART DESCRIPTION | LENGTH | UNIT WT. | NET WT. |
|-----------------|------|-----|----------|---|--------|----------|---------|
| COV812 (BURIAL) | 12 | 4 | P3160 | 3" SCH 40 PIPE (3.5 O.D. x .216" WALL) A500 | 160 in | 101.25 | 404.99 |

TOTAL WEIGHT: 858.40

VARIABLE PARTS LIST

| ASSEMBLY "A" | ITEM | QTY | PART NO. | PART DESCRIPTION | LENGTH | UNIT WT. | NET WT. |
|----------------------|------|-----|----------|----------------------------------|--------|----------|---------|
| COV812-B (BASE SHOE) | 12 | 4 | X-SP126 | BASE SHOE PLATE PIPE COLUMN | 126 in | 92.98 | 371.93 |
| | | 16 | SWA585 | 5/8" X 5" STAINLESS WEDGE ANCHOR | | .61 | 9.70 |

TOTAL WEIGHT: 835.04

TOLERANCE NOTES

TOLERANCES ON DIMENSIONS, UNLESS OTHERWISE NOTED ARE:
 SAWED, SHEARED AND GAS CUT EDGES ($\pm 0.030"$)
 DRILLED AND GAS CUT HOLES ($\pm 0.030"$) - NO CONING OF HOLES
 LASER CUT EDGES AND HOLES ($\pm 0.010"$) - NO CONING OF HOLES
 BENDS ARE $\pm 1/2$ DEGREE
 ALL OTHER MACHINING ($\pm 0.030"$)
 ALL OTHER ASSEMBLY ($\pm 0.060"$)

PROPRIETARY NOTE:
 THE DATA AND TECHNIQUES CONTAINED IN THIS DRAWING ARE PROPRIETARY INFORMATION OF VALMONT INDUSTRIES AND CONSIDERED A TRADE SECRET. ANY USE OR DISCLOSURE WITHOUT THE CONSENT OF VALMONT INDUSTRIES IS STRICTLY PROHIBITED.

DESCRIPTION

PLATFORM CANOPY
 12' X 8' BURIAL OR BASE SHOE



Engineering Support Team:
 1-888-753-7446

Locations:
 New York, NY
 Atlanta, GA
 Los Angeles, CA
 Plymouth, IN
 Salem, OR
 Dallas, TX

| | | |
|---------|---------------|---------------|
| CPD NO. | DRAWN BY | ENG. APPROVAL |
| | KC8 8/24/2012 | |
| CLASS | DRAWING USAGE | CHECKED BY |
| 81 | CUSTOMER | BMC 7/3/2013 |

| | | |
|----------|------------------|--------|
| PART NO. | SEE ASSEMBLY "A" | PAGE |
| DWG. NO. | COV812 | 1 OF 1 |

| | | | |
|------------------|---|-----|---------|
| A | X-COV8 TO QTY 2, ITEM 2 "-12", UPDATED LENGTH & WTS | KC8 | 7/1/13 |
| REV | DESCRIPTION OF REVISIONS | CPD | BY DATE |
| REVISION HISTORY | | | |