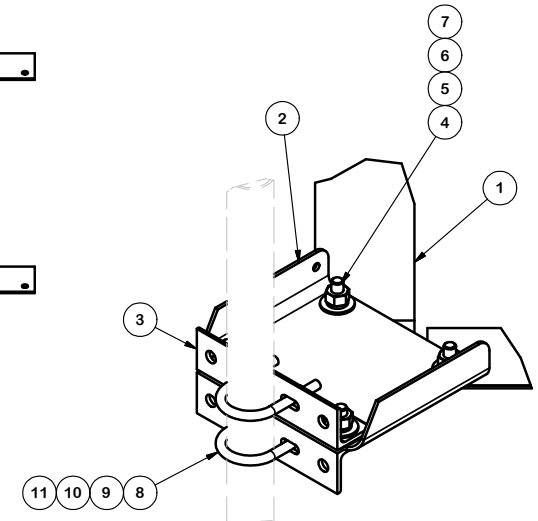
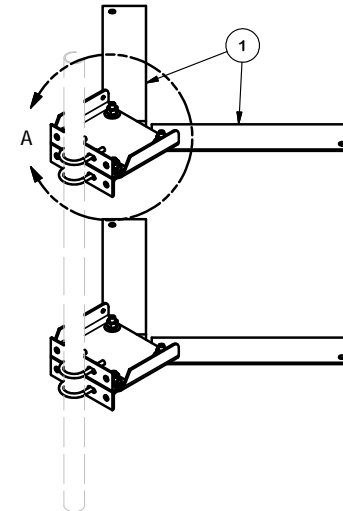


PARTS LIST						
ITEM	QTY	PART NO.	PART DESCRIPTION	LENGTH	UNIT WT.	NET WT.
1	4	X-COR1	CORNER MOUNT ANGLE	23 in	15.62	62.48
2	2	X-SLD-BP	SLIDER BRACKET BENT PLATE		8.13	16.26
3	4	X-SLD-A	SLIDER BRACKET ANGLE	10 in	3.28	13.12
4	8	G5802	5/8" x 2" HDG HEX BOLT GR5		0.27	2.17
5	8	G58NUT	5/8" HDG HEAVY 2H HEX NUT		0.13	1.04
6	8	G58LW	5/8" HDG LOCKWASHER		0.03	0.21
7	8	G58FW	5/8" HDG USS FLATWASHER		0.07	0.56
8	4	X-UB1212	1/2" X 2-1/2" X 4-1/2" X 2" GALV. U-BOLT		0.63	2.50
8	4	X-UB1300	1/2" X 3" X 5" X 2" GALV U-BOLT		0.70	2.79
9	8	G12FW	1/2" HDG USS FLATWASHER		0.03	0.27
10	8	G12LW	1/2" HDG LOCKWASHER		0.01	0.11
11	8	G12NUT	1/2" HDG HEAVY 2H HEX NUT		0.07	0.57
					TOTAL WT. #	107.20



DETAIL A

TOLERANCE NOTES

TOLERANCES ON DIMENSIONS, UNLESS OTHERWISE NOTED ARE:
 SAWED, SHEARED AND GAS CUT EDGES ($\pm 0.030"$)
 DRILLED AND GAS CUT HOLES ($\pm 0.030"$) - NO CONING OF HOLES
 LASER CUT EDGES AND HOLES ($\pm 0.010"$) - NO CONING OF HOLES
 BENDS ARE $\pm 1/2$ DEGREE
 ALL OTHER MACHINING ($\pm 0.030"$)
 ALL OTHER ASSEMBLY ($\pm 0.060"$)

PROPRIETARY NOTE:
 THE DATA AND TECHNIQUES CONTAINED IN THIS DRAWING ARE PROPRIETARY INFORMATION OF VALMONT INDUSTRIES AND CONSIDERED A TRADE SECRET. ANY USE OR DISCLOSURE WITHOUT THE CONSENT OF VALMONT INDUSTRIES IS STRICTLY PROHIBITED.

DESCRIPTION
 CORNER WALL MOUNT
 2-3/8" & 2-7/8" DIA ANTENNA PIPE



Locations:
 New York, NY
 Atlanta, GA
 Los Angeles, CA
 Plymouth, IN
 Salem, OR
 Dallas, TX

Engineering Support Team:
 1-888-753-7446

CPD NO.	DRAWN BY	ENG. APPROVAL
	BMC 3/10/2011	
CLASS	DRAWING USAGE	CHECKED BY
81	CUSTOMER	RCH 3/14/2011

PART NO.	CWMM	PAGE
DWG. NO.	CWMM	1 OF 1