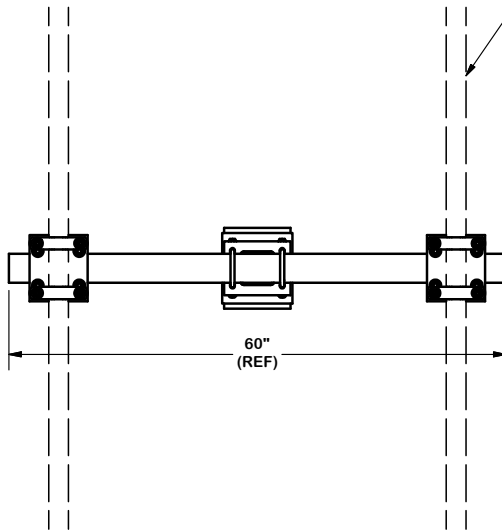


FITS 1-1/2" TO 4-1/2" ROUND LEGS  
OR ANGLE LEGS UP TO 3"

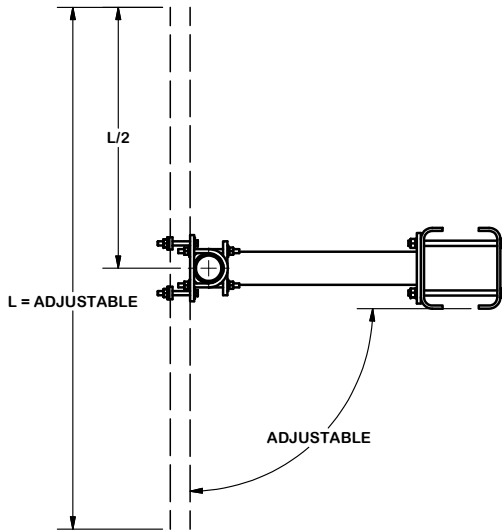
31 3/4"  
(REF)

48"  
MAX

2-3/8" TO 4-1/2"  
ANTENNA PIPE  
(ORDER SEPARATELY)



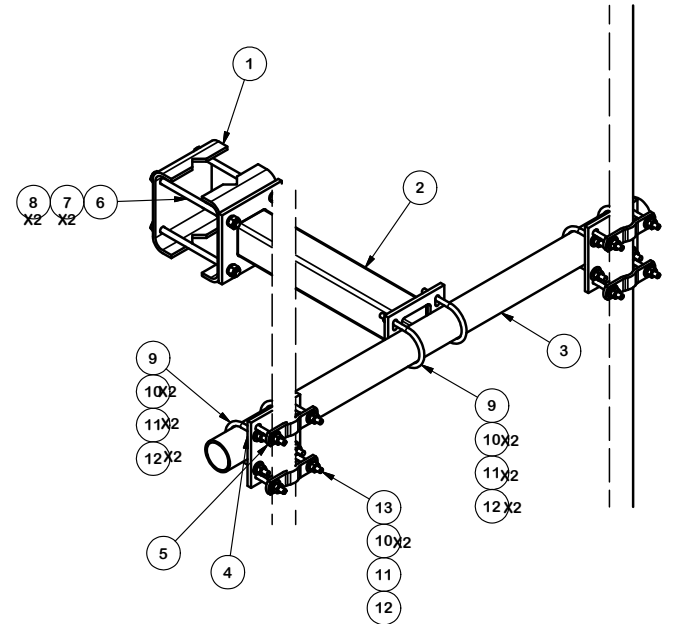
60"  
(REF)



L = ADJUSTABLE

ADJUSTABLE

PARTS LIST						
ITEM	QTY	PART NO.	PART DESCRIPTION	LENGTH	UNIT WT.	NET WT.
1	2	X-214130	BENT PLATE V-CLAMP	12 5/8 in	11.43	22.86
2	1	X-WWM02	2' STAND-OFF ARM / WALL MOUNT		30.51	30.51
3	1	P360	3-1/2" X 60" SCH 40 GALVANIZED PIPE		37.97	37.97
4	2	SCX7	CROSSOVER PLATE	8 in	7.55	15.10
5	4	X-115765	5" V-CLAMP		1.02	4.07
6	4	G58R-12	5/8" x 12" THREADED ROD (HDG.)		0.35	1.41
7	8	G58LW	5/8" HDG LOCKWASHER		0.03	0.21
8	8	G58NUT	5/8" HDG HEAVY 2H HEX NUT		0.13	1.04
9	6	X-UB1358	1/2" X 3-5/8" X 5-1/2" X 3" U-BOLT (HDG.)		0.66	3.94
10	28	G12FW	1/2" HDG USS FLATWASHER		0.03	0.95
11	20	G12LW	1/2" HDG LOCKWASHER		0.01	0.28
12	20	G12NUT	1/2" HDG HEAVY 2H HEX NUT		0.07	1.43
13	8	G12065	1/2" x 6-1/2" HDG HEX BOLT GR5 FULL THREAD	6 1/2 in	0.41	3.28
13	8	G12045	1/2" x 4.5" HDG HEX BOLT GR5 FULL THREAD	4 1/2 in	0.30	2.38
TOTAL WT. #						116.50



FINISH:  
HOT DIP GALVANIZED.

**TOLERANCE NOTES**

TOLERANCES ON DIMENSIONS, UNLESS OTHERWISE NOTED ARE:  
SAWED, SHEARED AND GAS CUT EDGES ( $\pm 0.030"$ )  
DRILLED AND GAS CUT HOLES ( $\pm 0.030"$ ) - NO CONING OF HOLES  
LASER CUT EDGES AND HOLES ( $\pm 0.010"$ ) - NO CONING OF HOLES  
BENDS ARE  $\pm 1/2$  DEGREE  
ALL OTHER MACHINING ( $\pm 0.030"$ )  
ALL OTHER ASSEMBLY ( $\pm 0.060"$ )

PROPRIETARY NOTE:  
THE DATA AND TECHNIQUES CONTAINED IN THIS DRAWING ARE PROPRIETARY INFORMATION OF VALMONT INDUSTRIES AND CONSIDERED A TRADE SECRET. ANY USE OR DISCLOSURE WITHOUT THE CONSENT OF VALMONT INDUSTRIES IS STRICTLY PROHIBITED.

DESCRIPTION  
DUAL ANTENNA MOUNT ASSEMBLY  
FOR ROUND LEGS 1-1/2" TO 4-1/2"  
31-3/4" STAND-OFF



Engineering Support Team:  
1-888-753-7446

Locations:  
New York, NY  
Atlanta, GA  
Los Angeles, CA  
Plymouth, IN  
Salem, OR  
Dallas, TX

CPD NO.	DRAWN BY KC8 8/10/2012	ENG. APPROVAL
CLASS 81	SUB 01	DRAWING USAGE CUSTOMER
	CHECKED BY CEK 2/19/2013	

PART NO.	CWT02	PAGE 1 OF 1
DWG. NO.	CWT02	