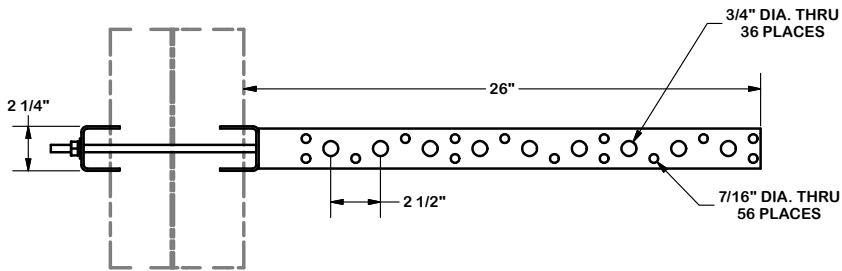
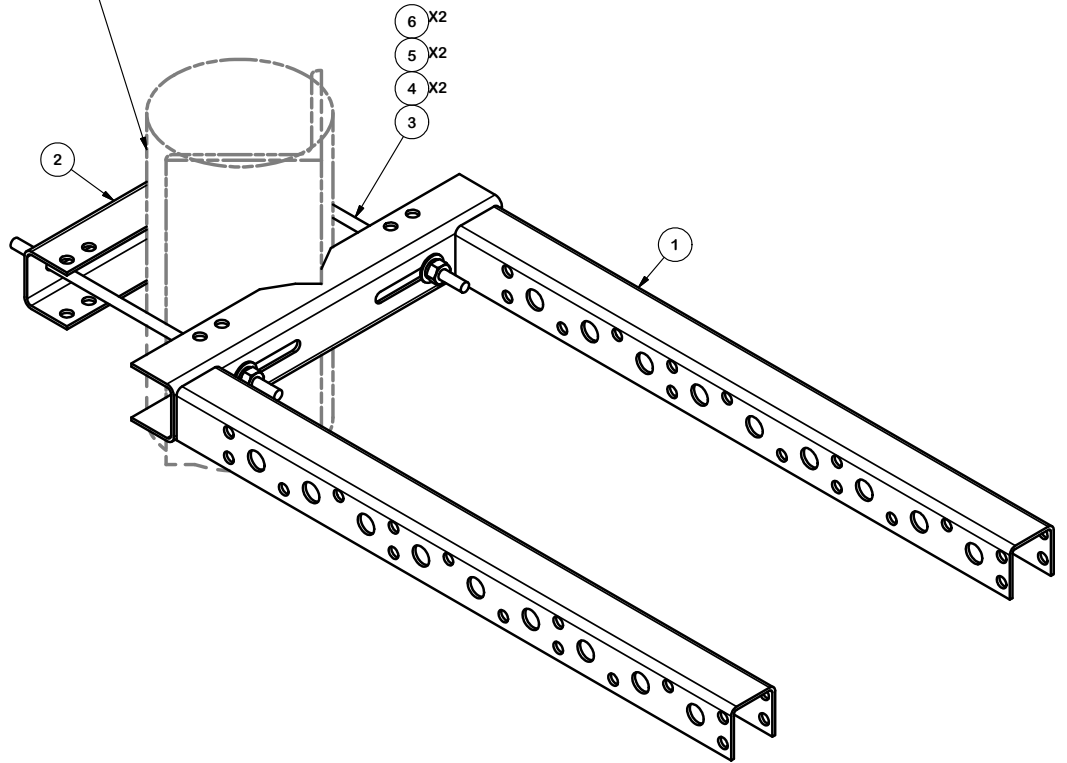
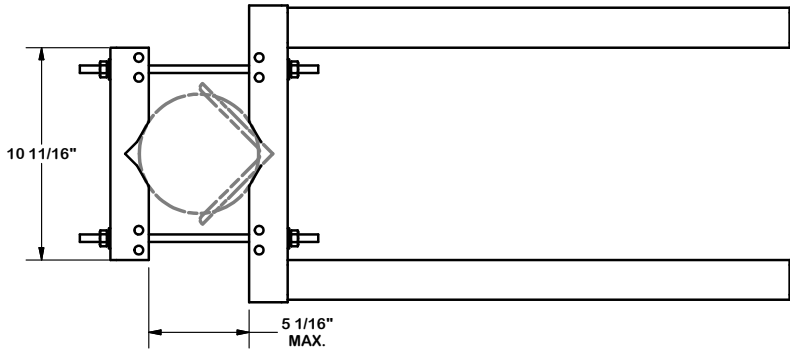


PARTS LIST						
ITEM	QTY	PART NO.	PART DESCRIPTION	LENGTH	UNIT WT.	NET WT.
1	1	X-DBT1800	BRACKET WELDMENT FOR DBT-1800		12.63	12.63
2	1	UTB-BB	BACK BRACKET FOR UNIVERSAL T-BRACKETS	10 11/16 in	1.89	1.89
3	2	G38R-12	3/8" x 12" THREADED ROD (HDG.)		0.38	0.75
4	4	G38FW	3/8" HDG USS FLATWASHER		0.01	0.05
5	4	G38LW	3/8" HDG LOCKWASHER		0.01	0.03
6	4	G38NUT	3/8" HDG HEAVY 2H HEX NUT		0.03	0.14
					TOTAL WT. #	15.48

1-1/2" TO 6" ROUND MEMBER LEGS.  
2-1/2" TO 5" 90° ANGLE LEGS.



**TOLERANCE NOTES**

TOLERANCES ON DIMENSIONS, UNLESS OTHERWISE NOTED ARE:  
SAWED, SHEARED AND GAS CUT EDGES ( $\pm 0.030"$ )  
DRILLED AND GAS CUT HOLES ( $\pm 0.030"$ ) - NO CONING OF HOLES  
LASER CUT EDGES AND HOLES ( $\pm 0.010"$ ) - NO CONING OF HOLES  
BENDS ARE  $\pm 1/2$  DEGREE  
ALL OTHER MACHINING ( $\pm 0.030"$ )  
ALL OTHER ASSEMBLY ( $\pm 0.060"$ )

PROPRIETARY NOTE:  
THE DATA AND TECHNIQUES CONTAINED IN THIS DRAWING ARE PROPRIETARY INFORMATION OF VALMONT INDUSTRIES AND CONSIDERED A TRADE SECRET. ANY USE OR DISCLOSURE WITHOUT THE CONSENT OF VALMONT INDUSTRIES IS STRICTLY PROHIBITED.

DESCRIPTION  
**SUPER UNIVERSAL  
DOUBLE T-BRACKET**



Locations:  
New York, NY  
Atlanta, GA  
Los Angeles, CA  
Plymouth, IN  
Salem, OR  
Dallas, TX  
Tampa, FL  
Engineering Support Team:  
1-888-753-7446

CPD NO.	DRAWN BY	ENG. APPROVAL
CLASS	DRAWING USAGE	CHECKED BY
81	02	CUSTOMER
		BMC 9/21/2018

PART NO.	DBT1800
DWG. NO.	DBT1800