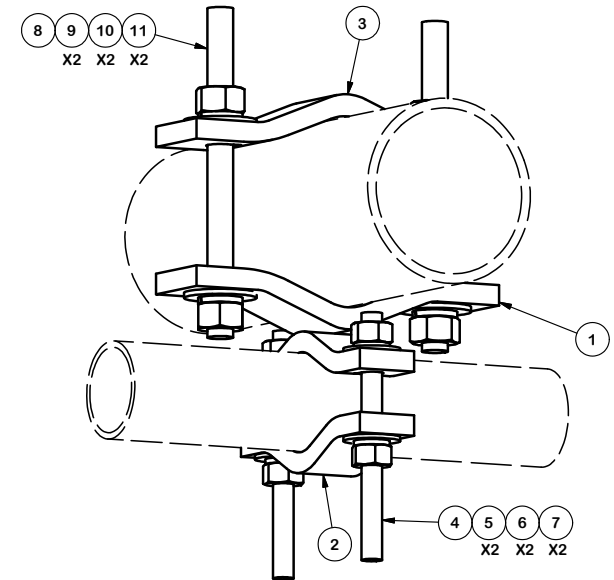


PARTS LIST						
ITEM	QTY	PART NO.	PART DESCRIPTION	LENGTH	UNIT WT.	NET WT.
1	1	DSC	CROSSOVER CLAMP WELDMENT		3.67	3.67
2	1	SCP	CLAMP HALF, 5-7/8" LONG		1.25	1.25
3	1	DCP	CLAMP HALF, 8-3/8" LONG		2.42	2.42
4	2	G12R-6	1/2" x 6" THREADED ROD (HDG.)	6"	3.23	6.45
5	4	G12LW	1/2" HDG LOCKWASHER		0.01	0.06
6	4	G12FW	1/2" HDG USS FLATWASHER		0.03	0.14
7	4	G12NUT	1/2" HDG HEAVY 2H HEX NUT		0.07	0.29
8	2	G58R-8	5/8" x 8" THREADED ROD (HDG.)	8"	3.23	6.45
9	4	G58NUT	5/8" HDG HEAVY 2H HEX NUT		0.13	0.52
10	4	G58LW	5/8" HDG LOCKWASHER		0.03	0.10
11	4	G58FW	5/8" HDG USS FLATWASHER		0.07	0.28
TOTAL WT. #						10.64



TOLERANCE NOTES

TOLERANCES ON DIMENSIONS, UNLESS OTHERWISE NOTED ARE:
 SAWED, SHEARED AND GAS CUT EDGES ($\pm 0.030"$)
 DRILLED AND GAS CUT HOLES ($\pm 0.030"$) - NO CONING OF HOLES
 LASER CUT EDGES AND HOLES ($\pm 0.010"$) - NO CONING OF HOLES
 BENDS ARE $\pm 1/2$ DEGREE
 ALL OTHER MACHINING ($\pm 0.030"$)
 ALL OTHER ASSEMBLY ($\pm 0.060"$)

PROPRIETARY NOTE:
 THE DATA AND TECHNIQUES CONTAINED IN THIS DRAWING ARE PROPRIETARY INFORMATION OF VALMONT INDUSTRIES AND CONSIDERED A TRADE SECRET. ANY USE OR DISCLOSURE WITHOUT THE CONSENT OF VALMONT INDUSTRIES IS STRICTLY PROHIBITED.

DESCRIPTION
CROSSOVER CLAMP SET
 1-1/2" - 3-1/2" O.D.
 TO 2-3/8" - 5" O.D.

SITE PRO 1
 Engineering Support Team:
 1-888-753-7446

Locations:
 New York, NY
 Atlanta, GA
 Los Angeles, CA
 Plymouth, IN
 Salem, OR
 Dallas, TX

REV	DESCRIPTION OF REVISIONS	CPD	BY	DATE
A	REDRAWN IN INV. UPDATED VIEWS & TABLE		KC8	8/22/2012

CPD NO.	DRAWN BY	ENG. APPROVAL
	GLS 11/13/2009	
CLASS	SUB	DRAWING USAGE
81	01	CUSTOMER
CHECKED BY	DATE	
CEK	2/18/2013	

PART NO.	DWG. NO.
DSCK	DSCK