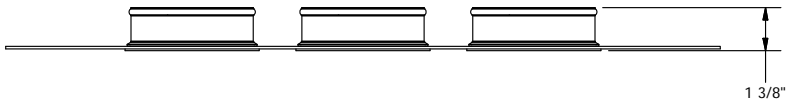
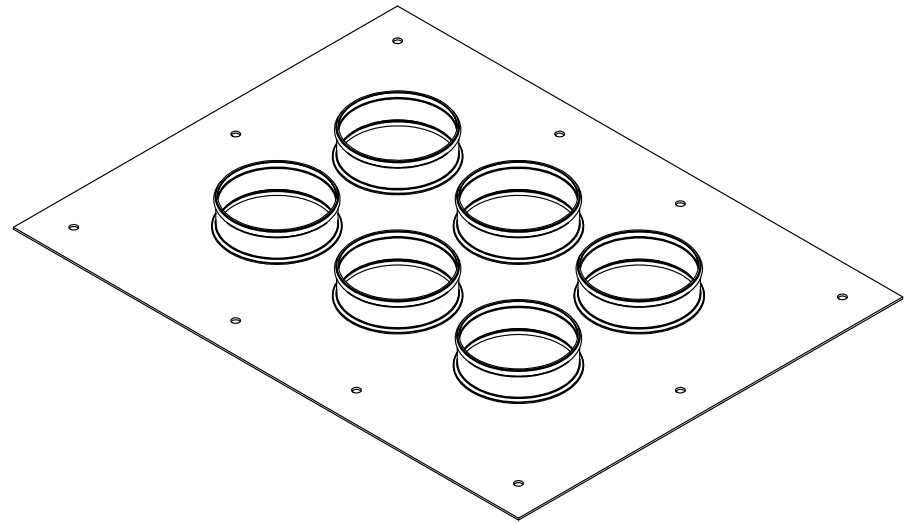
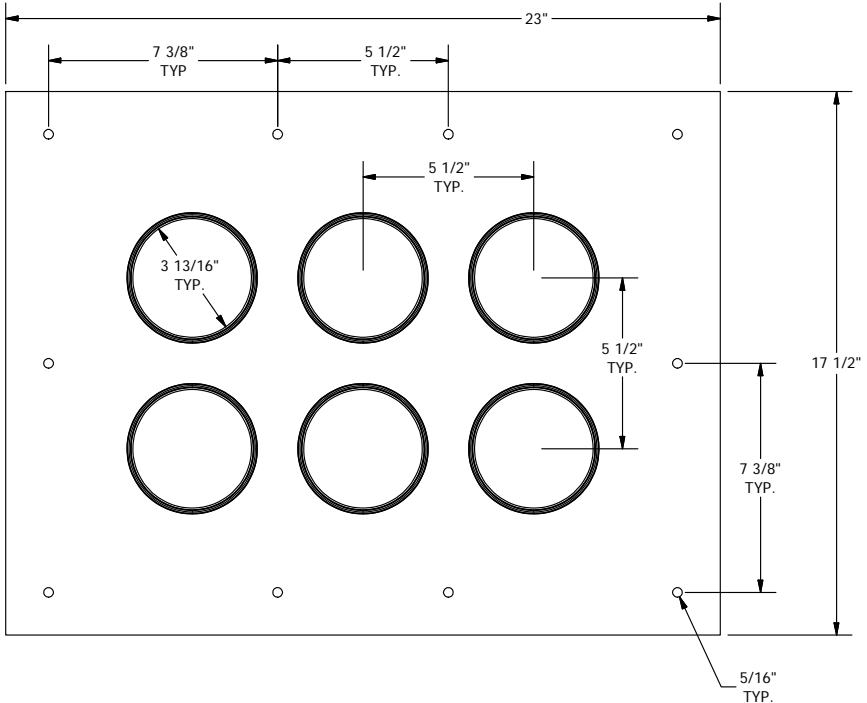


PARTS LIST						
ITEM	QTY	PART NO.	PART DESCRIPTION	LENGTH	UNIT WT.	NET WT.
1	1	E1449	2X3 4" ENTRY PANEL		9.40	9.40



INCLUDES SEALING CAPS AND ALL NECESSARY MOUNTING HARDWARE

TOLERANCE NOTES
TOLERANCES ON DIMENSIONS, UNLESS OTHERWISE NOTED ARE:
SAWED, SHEARED AND GAS CUT EDGES (± 0.030 ")
DRILLED AND GAS CUT HOLES (± 0.030 ") - NO CONING OF HOLES
LASER CUT EDGES AND HOLES (± 0.010 ") - NO CONING OF HOLES
BENDS ARE $\pm 1/2$ DEGREE
ALL OTHER MACHINING (± 0.030 ")
ALL OTHER ASSEMBLY (± 0.060 ")

PROPRIETARY NOTE:
 THE DATA AND TECHNIQUES CONTAINED IN THIS DRAWING ARE PROPRIETARY INFORMATION OF VALMONT INDUSTRIES AND CONSIDERED A TRADE SECRET. ANY USE OR DISCLOSURE WITHOUT THE CONSENT OF VALMONT INDUSTRIES IS STRICTLY PROHIBITED.

DESCRIPTION		2X3 4" ENTRY PANEL	
CPD NO.	DRAWN BY	ENG. APPROVAL	
	CEK 4/12/2012		
CLASS	SUB	DRAWING USAGE	CHECKED BY
81	01	CUSTOMER	KAC 4/24/2012

<p>A valmont COMPANY</p>	Locations: New York, NY Atlanta, GA Los Angeles, CA Plymouth, IN Salem, OR Dallas, TX	
	Engineering Support Team: 1-888-753-7446	
PART NO.	E1449	PAGE 1 OF 1
DWG. NO.	E1449	