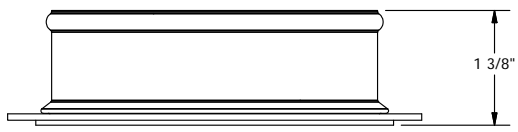
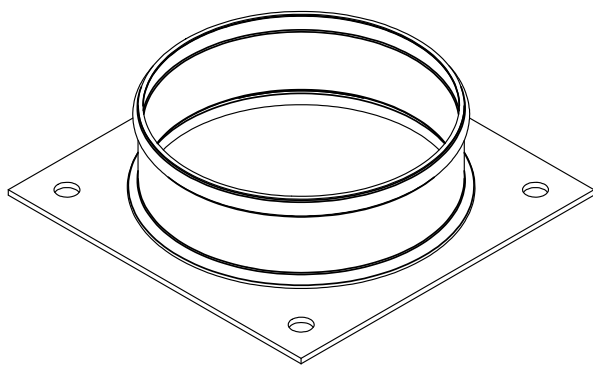
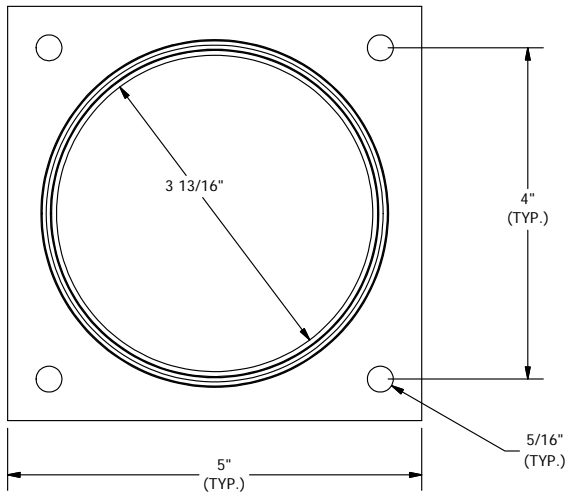


| PARTS LIST | | | | | | |
|------------|-----|----------|-----------------------|--------|----------|---------|
| ITEM | QTY | PART NO. | PART DESCRIPTION | LENGTH | UNIT WT. | NET WT. |
| 1 | 1 | E574 | 1 X 1, 4" ENTRY PANEL | | 0.64 | 0.64 |



INCLUDES SEALING CAP AND
ALL NECESSARY MOUNTING HARDWARE

| REV | DESCRIPTION OF REVISIONS | CPD | BY | DATE |
|------------------|----------------------------|-----|-----|-----------|
| A | CHANGED HOLE SPACING TO 4" | | CEK | 8/15/2013 |
| REVISION HISTORY | | | | |

TOLERANCE NOTES
**TOLERANCES ON DIMENSIONS, UNLESS OTHERWISE NOTED ARE:
 SAWED, SHEARED AND GAS CUT EDGES ($\pm 0.030"$)
 DRILLED AND GAS CUT HOLES ($\pm 0.030"$) - NO CONING OF HOLES
 LASER CUT EDGES AND HOLES ($\pm 0.010"$) - NO CONING OF HOLES
 BENDS ARE $\pm 1/2$ DEGREE
 ALL OTHER MACHINING ($\pm 0.030"$)
 ALL OTHER ASSEMBLY ($\pm 0.060"$)**

PROPRIETARY NOTE:
 THE DATA AND TECHNIQUES CONTAINED IN THIS DRAWING ARE PROPRIETARY INFORMATION OF VALMONT
 INDUSTRIES AND CONSIDERED A TRADE SECRET. ANY USE OR DISCLOSURE WITHOUT THE CONSENT OF
 VALMONT INDUSTRIES IS STRICTLY PROHIBITED.

| DESCRIPTION | | DRAWN BY | | ENG. APPROVAL | |
|-----------------------|-----|---------------|---------------|---------------|--|
| 1X1 4" ENTRY PANEL | | CEK 4/5/2012 | | | |
| CPD NO. | SUB | DRAWING USAGE | CHECKED BY | | |
| 81 | 01 | CUSTOMER | BMC 8/15/2013 | | |

| | | |
|------------------------------|--|--|
| A valmont COMPANY | Locations: New York, NY Atlanta, GA Los Angeles, CA Plymouth, IN Salem, OR Dallas, TX | |
| | Engineering Support Team: 1-888-753-7446 | |
| PART NO. E574 | PAGE 1 OF 1 | |
| DWG. NO. E574 | | |