

LWRM
UNIVERSAL RING MOUNT
FOR POLES 12" TO 45" DIA.
(ORDERED SEPARATELY)

OR

UGLM
MINI RING MOUNT (SHOWN)
FOR POLES 10-1/2" TO 28" DIA.
(ORDERED SEPARATELY)

*SEE PAGE 2 FOR ADDITIONAL MOUNTING OPTIONS.

PARTS LIST						
ITEM	QTY	PART NO.	PART DESCRIPTION	LENGTH	UNIT WT.	NET WT.
1	1	X-214130	BENT PLATE V-CLAMP	12 5/8 in	11.43	11.43
2	8	G58LW	5/8" HDG LOCKWASHER		0.03	0.21
3	8	G58NUT	5/8" HDG HEAVY 2H HEX NUT		0.13	1.04
4	4	G58R-12	5/8" x 12" THREADED ROD (HDG.)		0.35	1.41
					TOTAL WT. #	16.32

TOLERANCE NOTES

TOLERANCES ON DIMENSIONS, UNLESS OTHERWISE NOTED ARE:
 SAWED, SHEARED AND GAS CUT EDGES ($\pm 0.030"$)
 DRILLED AND GAS CUT HOLES ($\pm 0.030"$) - NO CONING OF HOLES
 LASER CUT EDGES AND HOLES ($\pm 0.010"$) - NO CONING OF HOLES
 BENDS ARE $\pm 1/2$ DEGREE
 ALL OTHER MACHINING ($\pm 0.030"$)
 ALL OTHER ASSEMBLY ($\pm 0.060"$)

PROPRIETARY NOTE:
 THE DATA AND TECHNIQUES CONTAINED IN THIS DRAWING ARE PROPRIETARY INFORMATION OF VALMONT INDUSTRIES AND CONSIDERED A TRADE SECRET. ANY USE OR DISCLOSURE WITHOUT THE CONSENT OF VALMONT INDUSTRIES IS STRICTLY PROHIBITED.

DESCRIPTION
 FLUSH MOUNT ADAPTER
 SINGLE LEVEL

SITE PRO 1
 A valmont COMPANY

Locations:
 New York, NY
 Atlanta, GA
 Los Angeles, CA
 Plymouth, IN
 Salem, OR
 Dallas, TX

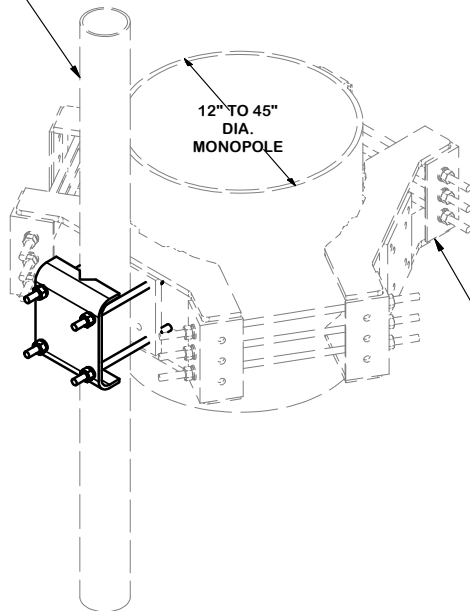
Engineering Support Team:
 1-888-753-7446

REV	DESCRIPTION OF REVISIONS	CPD	BY	DATE
A	REMOVED A BENT PLATE V-CLAMP, USED 12" THREADED RODS	4195	CEK	12/15/2010
REVISION HISTORY				

CPD NO. 4195	DRAWN BY CEK 10/12/2010	ENG. APPROVAL
CLASS 81	SUB 01	DRAWING USAGE CUSTOMER
CHECKED BY BMC 12/15/2010		

PART NO. FMA1	
DWG. NO. FMA1	

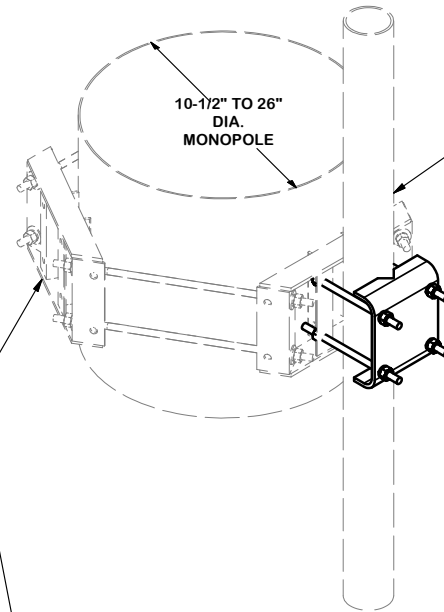
1-1/2" TO 4-1/2" DIA.
ANTENNA MOUNTING PIPE
(ORDERED SEPARATELY)



12" TO 45"
DIA.
MONOPOLE

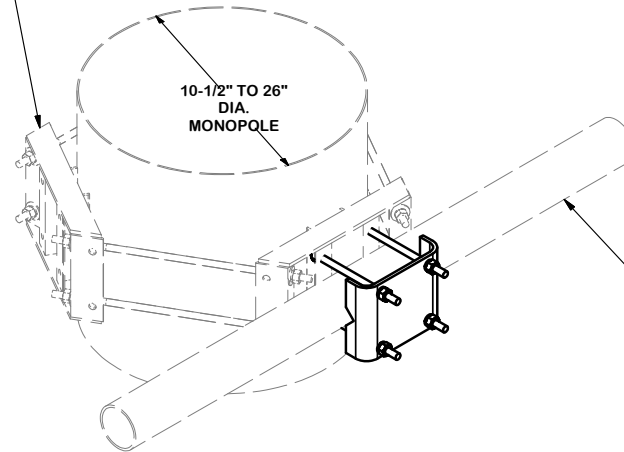
UGLM
MINI RING MOUNT
FOR POLES 10-1/2" TO 28" DIA.
(ORDERED SEPARATELY)

LWRM
UNIVERSAL RING MOUNT
FOR POLES 12" TO 45" DIA.
(ORDERED SEPARATELY)



10-1/2" TO 26"
DIA.
MONOPOLE

1-1/2" TO 4-1/2" DIA.
ANTENNA MOUNTING PIPE
(ORDERED SEPARATELY)



10-1/2" TO 26"
DIA.
MONOPOLE

1-1/2" TO 4-1/2" DIA.
ANTENNA MOUNTING PIPE
(ORDERED SEPARATELY)

TOLERANCE NOTES

TOLERANCES ON DIMENSIONS, UNLESS OTHERWISE NOTED ARE:
SAWED, SHEARED AND GAS CUT EDGES ($\pm 0.030"$)
DRILLED AND GAS CUT HOLES ($\pm 0.030"$) - NO CONING OF HOLES
LASER CUT EDGES AND HOLES ($\pm 0.010"$) - NO CONING OF HOLES
BENDS ARE $\pm 1/2$ DEGREE
ALL OTHER MACHINING ($\pm 0.030"$)
ALL OTHER ASSEMBLY ($\pm 0.060"$)

PROPRIETARY NOTE:
THE DATA AND TECHNIQUES CONTAINED IN THIS DRAWING ARE PROPRIETARY INFORMATION OF VALMONT INDUSTRIES AND CONSIDERED A TRADE SECRET. ANY USE OR DISCLOSURE WITHOUT THE CONSENT OF VALMONT INDUSTRIES IS STRICTLY PROHIBITED.

DESCRIPTION

FLUSH MOUNT ADAPTER
SINGLE LEVEL

CPD NO. 4195	DRAWN BY CEK 10/12/2010	ENG. APPROVAL
CLASS 81	SUB 01	DRAWING USAGE CUSTOMER
	CHECKED BY BMC 12/15/2010	



A valmont COMPANY

Engineering
Support Team:
1-888-753-7446

Locations:
New York, NY
Atlanta, GA
Los Angeles, CA
Plymouth, IN
Salem, OR
Dallas, TX

PART NO.	FMA1
DWG. NO.	FMA1