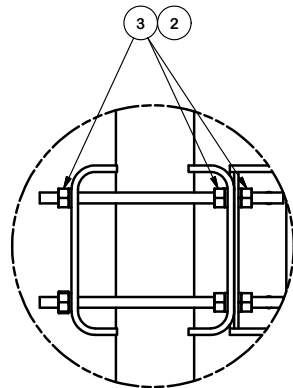
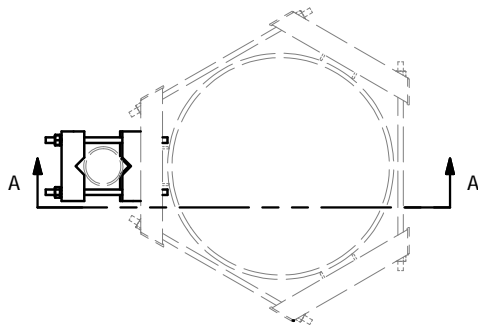
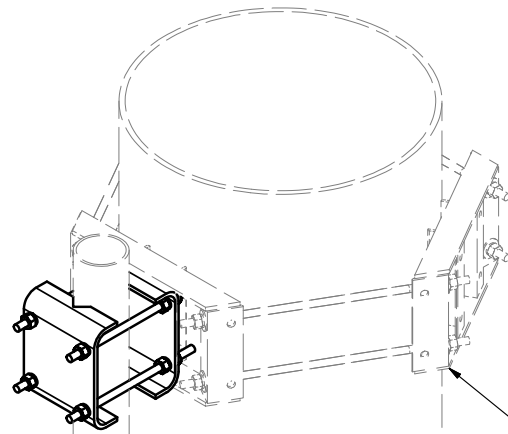


PARTS LIST						
ITEM	QTY	PART NO.	PART DESCRIPTION	LENGTH	UNIT WT.	NET WT.
1	4	X-214130	BENT PLATE V-CLAMP	12 5/8 in	11.43	45.72
2	24	G58LW	5/8" HDG LOCKWASHER		0.03	0.63
3	24	G58NUT	5/8" HDG HEAVY 2H HEX NUT		0.13	3.12
4	8	G58R-14	5/8" x 14" THREADED ROD (HDG.)		0.35	2.81
					TOTAL WT. #	57.05

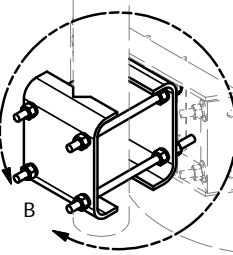


DETAIL A

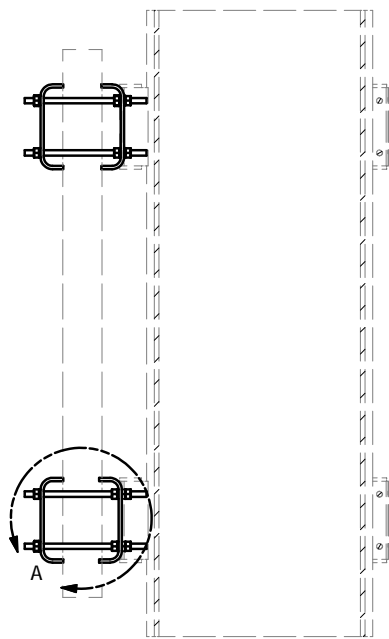


LWRM UNIVERSAL RING MOUNT
FOR POLES 12" TO 45" DIA.
(ORDERED SEPARATELY)

OR
UGLM
MINI RING MOUNT
FOR POLES 10-1/2" TO 28" DIA.
(ORDERED SEPARATELY)



DETAIL B



SECTION A-A

- 4
- 3 X3
- 2 X3

TOLERANCE NOTES

TOLERANCES ON DIMENSIONS, UNLESS OTHERWISE NOTED ARE:
 SAWED, SHEARED AND GAS CUT EDGES ($\pm 0.030"$)
 DRILLED AND GAS CUT HOLES ($\pm 0.030"$) - NO CONING OF HOLES
 LASER CUT EDGES AND HOLES ($\pm 0.010"$) - NO CONING OF HOLES
 BENDS ARE $\pm 1/2$ DEGREE
 ALL OTHER MACHINING ($\pm 0.030"$)
 ALL OTHER ASSEMBLY ($\pm 0.060"$)

PROPRIETARY NOTE:
 THE DATA AND TECHNIQUES CONTAINED IN THIS DRAWING ARE PROPRIETARY INFORMATION OF VALMONT INDUSTRIES AND CONSIDERED A TRADE SECRET. ANY USE OR DISCLOSURE WITHOUT THE CONSENT OF VALMONT INDUSTRIES IS STRICTLY PROHIBITED.

DESCRIPTION
**FLUSH MOUNT ADAPTER
 DUAL LEVEL**

CPD NO. 4195	DRAWN BY CEK 10/12/2010	ENG. APPROVAL
CLASS 81	SUB 01	DRAWING USAGE CUSTOMER
		CHECKED BY BMC 10/13/2010



Engineering
 Support Team:
 1-888-753-7446

Locations:
 New York, NY
 Atlanta, GA
 Los Angeles, CA
 Plymouth, IN
 Salem, OR
 Dallas, TX

PART NO. FMA2	1 OF 1
DWG. NO. FMA2	