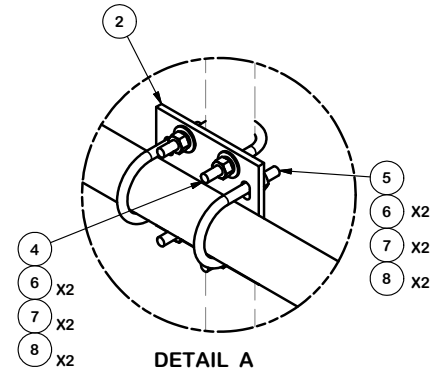
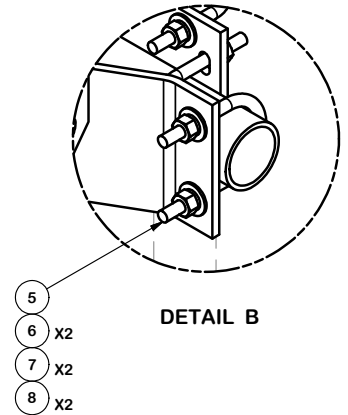


PARTS LIST						
ITEM	QTY	PART NO.	PART DESCRIPTION	LENGTH	UNIT WT.	NET WT.
1	3	X-SNP-HRA	CORNER BRACKET FOR SNPX PLATFORMS		25.95	77.86
2	9	SCX2	CROSSOVER PLATE	7 in	4.80	43.17
3	3	P3096	2-7/8" OD X 96" Sch 40 Galvanized Pipe		46.45	139.36
4	18	X-UB1212	1/2" X 2-1/2" X 4-1/2" X 2" U-BOLT (HDG.)		0.73	13.17
5	24	X-UB1300	1/2" X 3" X 5" X 2" U-BOLT (HDG.)		0.73	17.56
6	84	G12FW	1/2" HDG USS FLATWASHER		0.03	2.86
7	84	G12LW	1/2" HDG LOCKWASHER		0.01	1.17
8	84	G12NUT	1/2" HDG HEAVY 2H HEX NUT		0.07	6.02
					TOTAL WT. #	298.41



DETAIL A



DETAIL B

**TOLERANCE NOTES**

TOLERANCES ON DIMENSIONS, UNLESS OTHERWISE NOTED ARE:  
 SAWED, SHEARED AND GAS CUT EDGES ( $\pm 0.030"$ )  
 DRILLED AND GAS CUT HOLES ( $\pm 0.030"$ ) - NO CONING OF HOLES  
 LASER CUT EDGES AND HOLES ( $\pm 0.010"$ ) - NO CONING OF HOLES  
 BENDS ARE  $\pm 1/2$  DEGREE  
 ALL OTHER MACHINING ( $\pm 0.030"$ )  
 ALL OTHER ASSEMBLY ( $\pm 0.060"$ )

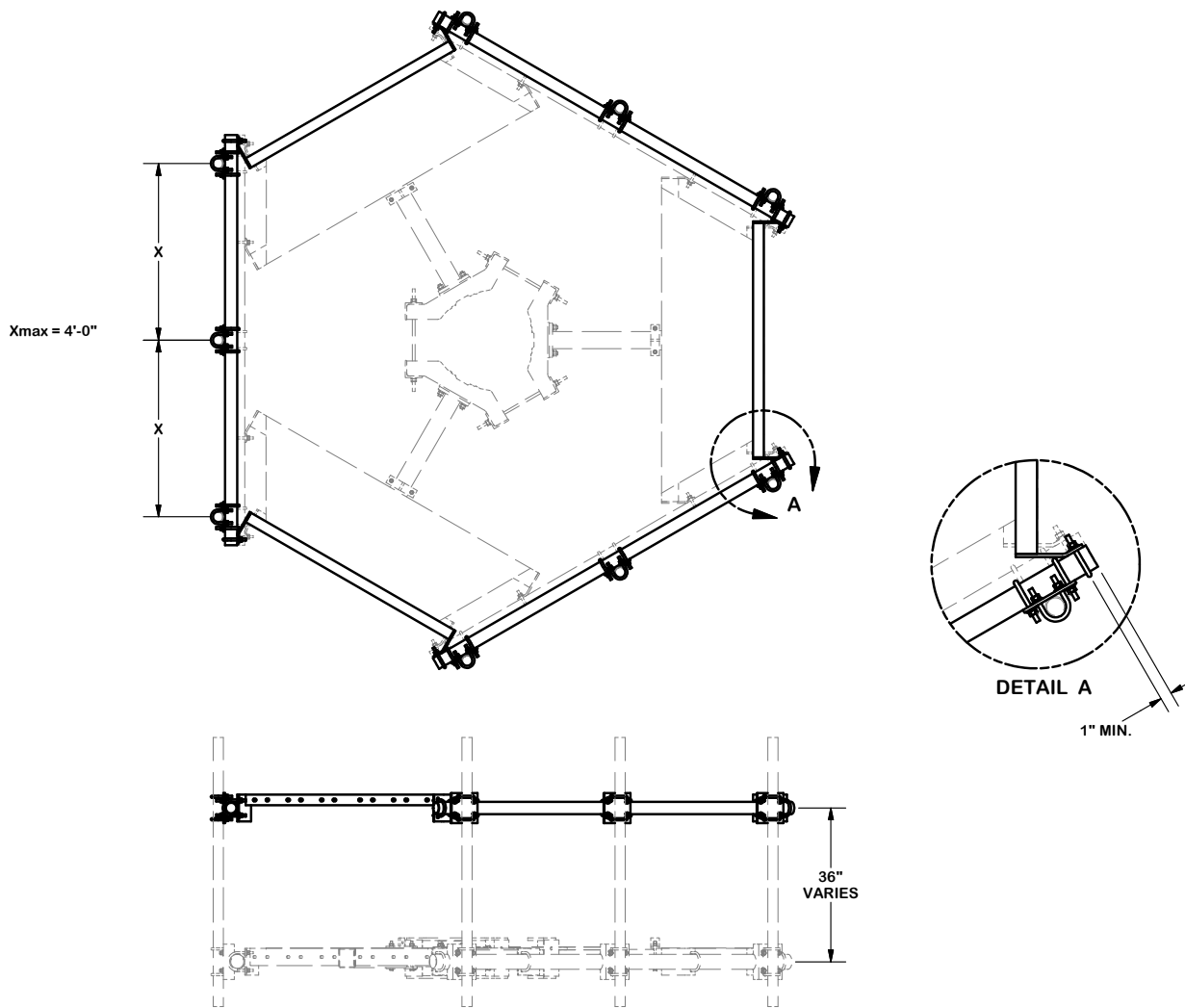
PROPRIETARY NOTE:  
 THE DATA AND TECHNIQUES CONTAINED IN THIS DRAWING ARE PROPRIETARY INFORMATION OF VALMONT INDUSTRIES AND CONSIDERED A TRADE SECRET. ANY USE OR DISCLOSURE WITHOUT THE CONSENT OF VALMONT INDUSTRIES IS STRICTLY PROHIBITED.

DESCRIPTION  
**HANDRAIL KIT FOR  
 8' SNUB NOSE  
 PLATFORM**

**SITE PRO 1**  
 A valmont COMPANY  
 Engineering Support Team:  
 1-888-753-7446  
 Locations:  
 New York, NY  
 Atlanta, GA  
 Los Angeles, CA  
 Plymouth, IN  
 Salem, OR  
 Dallas, TX

CPD NO.	DRAWN BY CEK 11/21/2014	ENG. APPROVAL
CLASS 81	SUB 02	DRAWING USAGE CUSTOMER
	CHECKED BY BMC 11/21/2014	

PART NO. <b>HR8</b>	PAGE 1 OF 2
DWG. NO. <b>HR8</b>	



**TOLERANCE NOTES**

**TOLERANCES ON DIMENSIONS, UNLESS OTHERWISE NOTED ARE:**  
**SAWED, SHEARED AND GAS CUT EDGES ( $\pm 0.030''$ )**  
**DRILLED AND GAS CUT HOLES ( $\pm 0.030''$ ) - NO CONING OF HOLES**  
**LASER CUT EDGES AND HOLES ( $\pm 0.010''$ ) - NO CONING OF HOLES**  
**BENDS ARE  $\pm 1/2$  DEGREE**  
**ALL OTHER MACHINING ( $\pm 0.030''$ )**  
**ALL OTHER ASSEMBLY ( $\pm 0.060''$ )**

**PROPRIETARY NOTE:**  
 THE DATA AND TECHNIQUES CONTAINED IN THIS DRAWING ARE PROPRIETARY INFORMATION OF VALMONT INDUSTRIES AND CONSIDERED A TRADE SECRET. ANY USE OR DISCLOSURE WITHOUT THE CONSENT OF VALMONT INDUSTRIES IS STRICTLY PROHIBITED.

DESCRIPTION  
**HANDRAIL KIT FOR  
 8' SNUB NOSE  
 PLATFORM**

 <b>A valmont COMPANY</b>	Locations: New York, NY Atlanta, GA Los Angeles, CA Plymouth, IN Salem, OR Dallas, TX
	Engineering Support Team: 1-888-753-7446

CPD NO.	DRAWN BY	ENG. APPROVAL
CLASS	DRAWING USAGE	CHECKED BY
81	CUSTOMER	BMC 11/21/2014

PART NO.	2 OF 2
HRA8	
DWG. NO.	
HRA8	