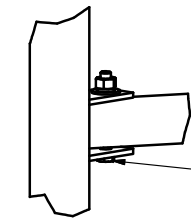


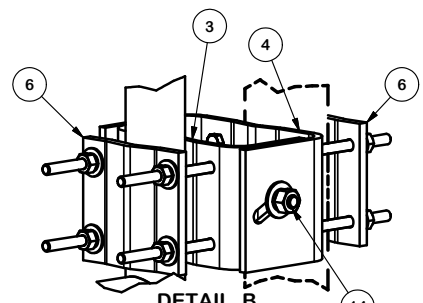
PARTS LIST

ITEM	QTY	PART NO.	PART DESCRIPTION	LENGTH	UNIT WT.	NET WT.
1	1	X-HS4	4' HEAVY DUTY ANTENNA STANDOFF WELDMENT		90.01	90.01
2	1	X-HS4TB	2" SCH. 40 PIPE (2.375" O.D. x 0.154" WALL) A500	126 in	38.42	38.42
3	2	X-154463	UNIVERSAL PIPE MOUNTING PLATE (INNER)	16 11/32 in	10.52	21.03
4	2	X-155561	UNIVERSAL PIPE MOUNTING PLATE (OUTER)	20 9/32 in	13.16	26.31
5	1	X-SPTB	SLIDING PIPE TIE BACK PLATE	5 1/2 in	5.87	5.87
6	4	X-159999	BACKING PLATE	6 9/16 in	5.73	22.92
7	2	MCP	CLAMP HALF 1/2" THICK, 11-5/8" LONG	12 1/16 in	3.59	7.19
8	2	DCP	CLAMP HALF 1/2" THICK, 5-3/4" CTR TO CENTER CLAMP HALF	8 1/8 in	2.36	4.72
9	2	X-TBCA	TIE BACK CLIP ANGLE		2.01	4.01
10	2	X-UB5258	5/8" X 2-5/8" X 4-1/2" X 2" U-BOLT (HDG.)		1.00	2.00
11	2	G58R-12	5/8" x 12" THREADED ROD (HDG.)		1.05	2.09
12	2	G58R-8	5/8" x 8" THREADED ROD (HDG.)		0.70	1.39
13	2	G5804	5/8" x 4" HDG HEX BOLT GR5		0.44	0.89
14	6	G5802	5/8" x 2" HDG HEX BOLT GR5		0.27	1.62
15	13	G58FW	5/8" HDG USS FLATWASHER	1/8 in	0.07	0.92
16	14	G58LW	5/8" HDG LOCKWASHER		0.03	0.37
17	15	G58NUT	5/8" HDG HEAVY 2H HEX NUT		0.13	1.95
18	16	G12065	1/2" x 6-1/2" HDG HEX BOLT GR5 FULL THREAD	5 1/2 in	0.41	6.55
18	17	G1204	1/2" x 4" HDG HEX BOLT GR5 FULL THREAD	4 in	0.27	4.59
19	17	G12FW	1/2" HDG USS FLATWASHER	3/32 in	0.03	0.58
20	17	G12LW	1/2" HDG LOCKWASHER	1/8 in	0.01	0.24
21	17	G12NUT	1/2" HDG HEAVY 2H HEX NUT		0.07	1.22
					TOTAL WT. #	244.89



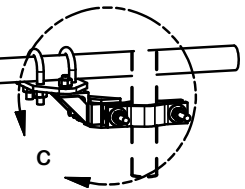
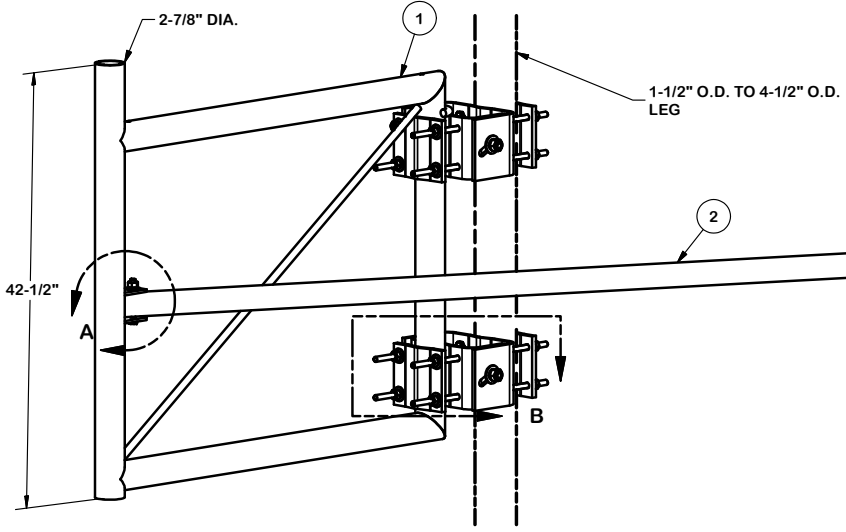
DETAIL A

- 18
- 19
- 20
- 21

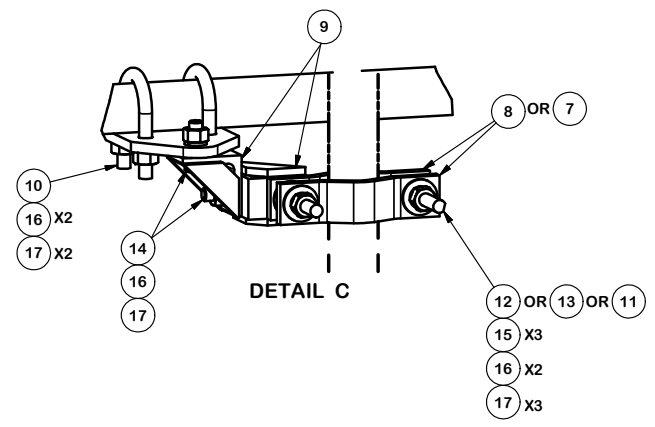


DETAIL B

- 14
- 15
- 16
- 17



DETAIL C



TOLERANCE NOTES

TOLERANCES ON DIMENSIONS, UNLESS OTHERWISE NOTED ARE:
 SAWED, SHEARED AND GAS CUT EDGES ($\pm 0.030"$)
 DRILLED AND GAS CUT HOLES ($\pm 0.030"$) - NO CONING OF HOLES
 LASER CUT EDGES AND HOLES ($\pm 0.010"$) - NO CONING OF HOLES
 BENDS AND ANGLES ARE $\pm 1/2$ DEGREE
 ALL OTHER MACHINING ($\pm 0.030"$)
 ALL OTHER ASSEMBLY ($\pm 0.060"$)

PROPRIETARY NOTE:
 THE DATA AND TECHNIQUES CONTAINED IN THIS DRAWING ARE PROPRIETARY INFORMATION OF VALMONT INDUSTRIES AND CONSIDERED A TRADE SECRET. ANY USE OR DISCLOSURE WITHOUT THE CONSENT OF VALMONT INDUSTRIES IS STRICTLY PROHIBITED.

DESCRIPTION
**4' HEAVY DUTY
 STAND-OFF MOUNT**

CPD NO.	DRAWN BY CEK	8/7/2019	ENG. APPROVAL
CLASS 81	SUB 01	DRAWING USAGE CUSTOMER	CHECKED BY BMC 8/21/2019

SITE PRO 1
 Engineering Support Team:
 1-888-753-7446

Locations:
 New York, NY
 Atlanta, GA
 Los Angeles, CA
 Plymouth, IN
 Salem, OR
 Dallas, TX
 Tampa, FL

PART NO.	HS4-K
DWG. NO.	HS4-K