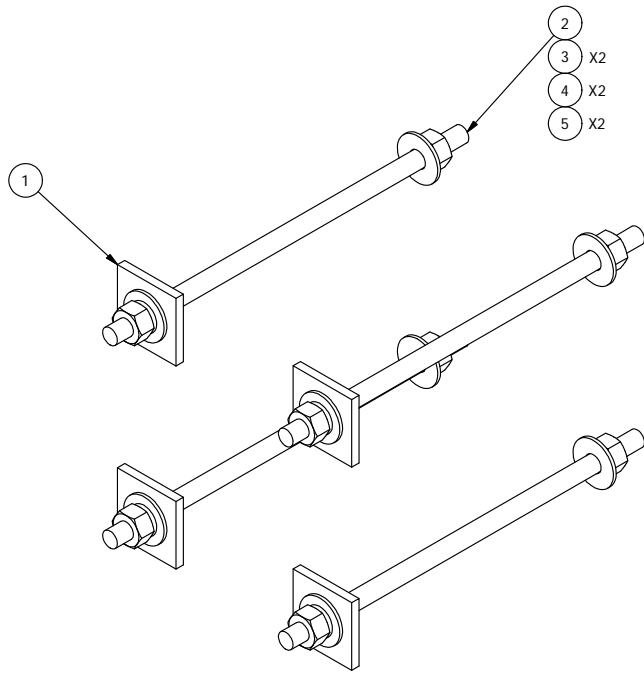
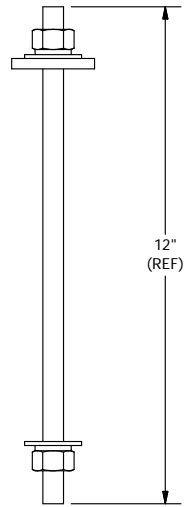
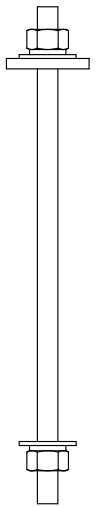
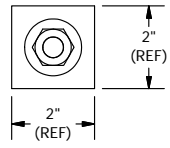


PARTS LIST						
ITEM	QTY	PART NO.	PART DESCRIPTION	LENGTH	UNIT WT.	NET WT.
1	4	SQW12	1/4" x 2" FLAT STOCK	2 in	0.27	1.07
2	4	G12R-12	1/2" x 12" THREADED ROD (HDG.)	12 in	0.67	2.68
3	8	G12LW	1/2" HDG LOCKWASHER		0.01	0.11
4	8	G12FW	1/2" HDG USS FLATWASHER		0.03	0.27
5	8	G12NUT	1/2" HDG HEAVY 2H HEX NUT		0.07	0.57
TOTAL WT. #						4.70



TOLERANCE NOTES
TOLERANCES ON DIMENSIONS, UNLESS OTHERWISE NOTED ARE:
SAWED, SHEARED AND GAS CUT EDGES ($\pm 0.030"$)
DRILLED AND GAS CUT HOLES ($\pm 0.030"$) - NO CONING OF HOLES
LASER CUT EDGES AND HOLES ($\pm 0.010"$) - NO CONING OF HOLES
BENDS ARE $\pm 1/2$ DEGREE
ALL OTHER MACHINING ($\pm 0.030"$)
ALL OTHER ASSEMBLY ($\pm 0.060"$)

PROPRIETARY NOTE:
 THE DATA AND TECHNIQUES CONTAINED IN THIS DRAWING ARE PROPRIETARY INFORMATION OF VALMONT INDUSTRIES AND CONSIDERED A TRADE SECRET. ANY USE OR DISCLOSURE WITHOUT THE CONSENT OF VALMONT INDUSTRIES IS STRICTLY PROHIBITED.

DESCRIPTION			
HOLLOW WALL MOUNT KIT			
CPD NO.	DRAWN BY	ENG. APPROVAL	
	KC8 5/21/2012		
CLASS	SUB	DRAWING USAGE	CHECKED BY
81	01	CUSTOMER	CEK 7/30/2012

	Engineering Support Team: 1-888-753-7446	Locations: New York, NY Atlanta, GA Los Angeles, CA Plymouth, IN Salem, OR Dallas, TX
	PART NO. HWK12	DWG. NO. HWK12