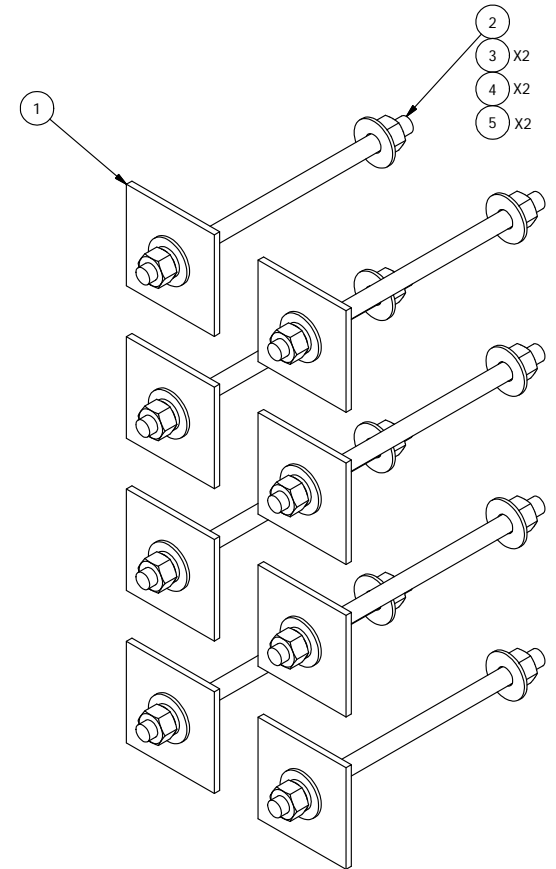
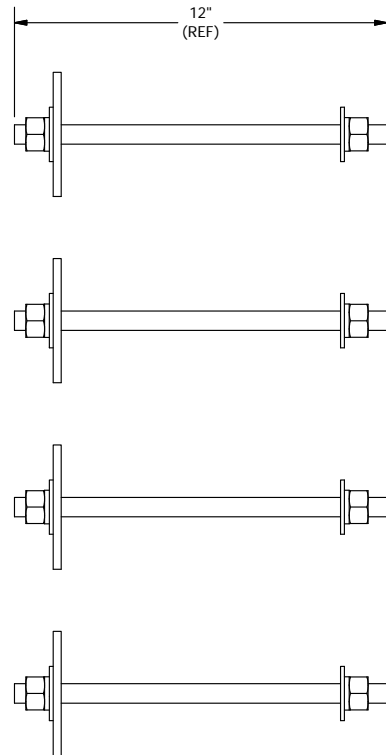
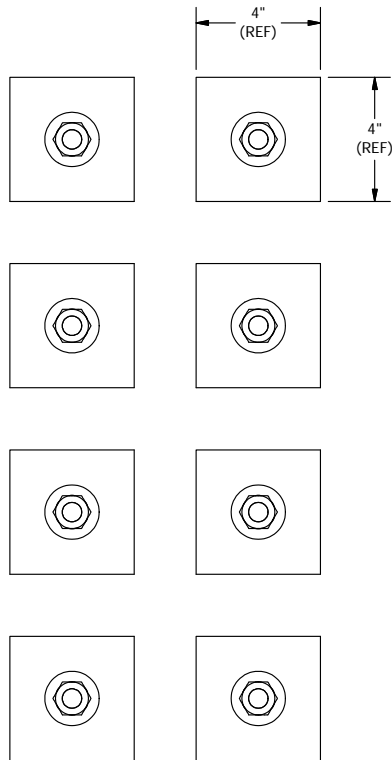


PARTS LIST						
ITEM	QTY	PART NO.	PART DESCRIPTION	LENGTH	UNIT WT.	NET WT.
1	8	BP4	1/4" x 4" FLAT STOCK	4 in	1.16	9.28
2	8	G58R-12	5/8" x 12" THREADED ROD (HDG.)		1.05	8.36
3	16	G58FW	5/8" HDG USS FLATWASHER		0.07	1.13
4	16	G58LW	5/8" HDG LOCKWASHER		0.03	0.42
5	16	G58NUT	5/8" HDG HEAVY 2H HEX NUT		0.13	2.08
TOTAL WT. #						21.26



TOLERANCE NOTES

**TOLERANCES ON DIMENSIONS, UNLESS OTHERWISE NOTED ARE:
 SAWED, SHEARED AND GAS CUT EDGES ($\pm 0.030"$)
 DRILLED AND GAS CUT HOLES ($\pm 0.030"$) - NO CONING OF HOLES
 LASER CUT EDGES AND HOLES ($\pm 0.010"$) - NO CONING OF HOLES
 BENDS ARE $\pm 1/2$ DEGREE
 ALL OTHER MACHINING ($\pm 0.030"$)
 ALL OTHER ASSEMBLY ($\pm 0.060"$)**

**PROPRIETARY NOTE:
 THE DATA AND TECHNIQUES CONTAINED IN THIS DRAWING ARE PROPRIETARY INFORMATION OF VALMONT INDUSTRIES AND CONSIDERED A TRADE SECRET. ANY USE OR DISCLOSURE WITHOUT THE CONSENT OF VALMONT INDUSTRIES IS STRICTLY PROHIBITED.**

DESCRIPTION
HOLLOW WALL MOUNT KIT

CPD NO.	DRAWN BY	ENG. APPROVAL
81	KC8 5/21/2012	CEK 8/16/2012
CLASS	SUB	DRAWING USAGE
81	01	CUSTOMER

SITE PRO 1
 A valmont COMPANY
 Engineering Support Team:
 1-888-753-7446
 Locations:
 New York, NY
 Atlanta, GA
 Los Angeles, CA
 Plymouth, IN
 Salem, OR
 Dallas, TX

PART NO.	HWK258
DWG. NO.	HWK258