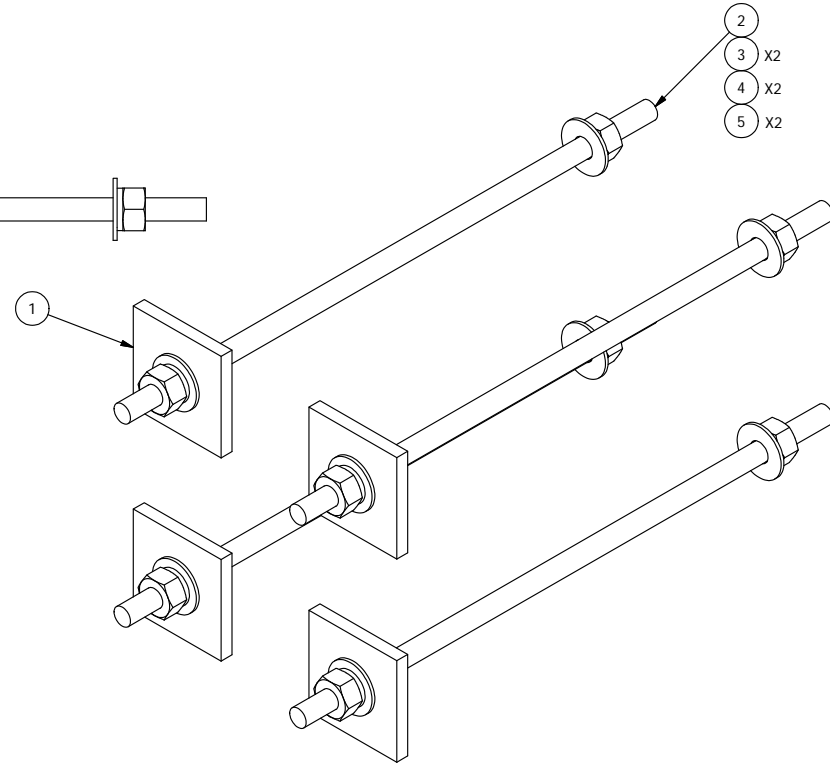
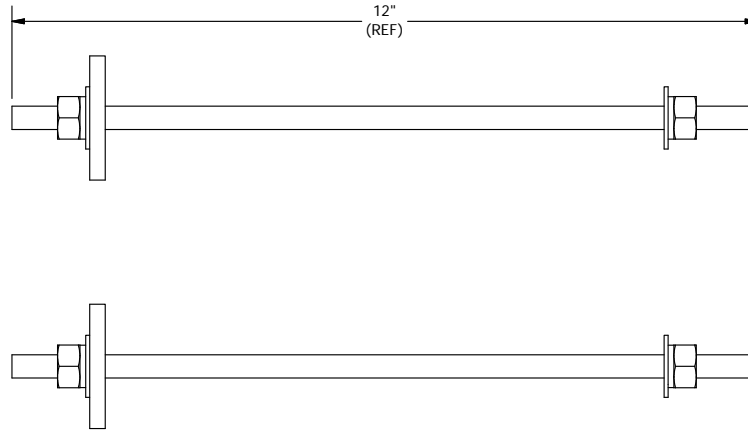
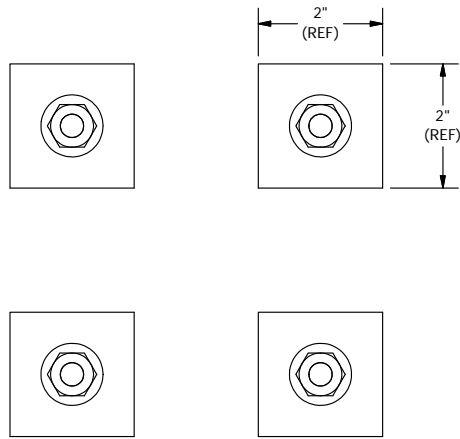


PARTS LIST						
ITEM	QTY	PART NO.	PART DESCRIPTION	LENGTH	UNIT WT.	NET WT.
1	4	SQW38	3/8" SQUARE WASHER (GALV.)	2 in	0.27	1.09
2	4	G38R-12	3/8" x 12" THREADED ROD (HDG.)		0.38	1.51
3	8	G38NUT	3/8" HDG HEAVY 2H HEX NUT		0.03	0.27
4	8	G38LW	3/8" HDG LOCKWASHER		0.01	0.05
5	8	G38FW	3/8" HDG USS FLATWASHER		0.01	0.09
TOTAL WT. #						3.02



**TOLERANCE NOTES**

**TOLERANCES ON DIMENSIONS, UNLESS OTHERWISE NOTED ARE:  
 SAWED, SHEARED AND GAS CUT EDGES ( $\pm 0.030"$ )  
 DRILLED AND GAS CUT HOLES ( $\pm 0.030"$ ) - NO CONING OF HOLES  
 LASER CUT EDGES AND HOLES ( $\pm 0.010"$ ) - NO CONING OF HOLES  
 BENDS ARE  $\pm 1/2$  DEGREE  
 ALL OTHER MACHINING ( $\pm 0.030"$ )  
 ALL OTHER ASSEMBLY ( $\pm 0.060"$ )**

**PROPRIETARY NOTE:  
 THE DATA AND TECHNIQUES CONTAINED IN THIS DRAWING ARE PROPRIETARY INFORMATION OF VALMONT  
 INDUSTRIES AND CONSIDERED A TRADE SECRET. ANY USE OR DISCLOSURE WITHOUT THE CONSENT OF  
 VALMONT INDUSTRIES IS STRICTLY PROHIBITED.**

DESCRIPTION  
**HOLLOW WALL MOUNT KIT**

CPD NO.	DRAWN BY	ENG. APPROVAL
CLASS	SUB	DRAWING USAGE
81	01	CUSTOMER
		CHECKED BY
		CEK 8/16/2012

**SITE PRO 1**  
 A valmont COMPANY  
 Locations:  
 New York, NY  
 Atlanta, GA  
 Los Angeles, CA  
 Plymouth, IN  
 Salem, OR  
 Dallas, TX  
 Engineering Support Team:  
 1-888-753-7446

PART NO.	<b>HWK38</b>	PAGE
DWG. NO.	<b>HWK38</b>	1 OF 1