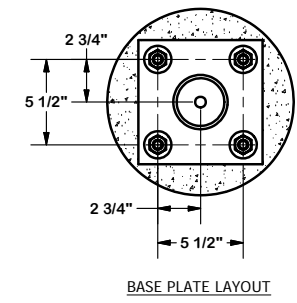
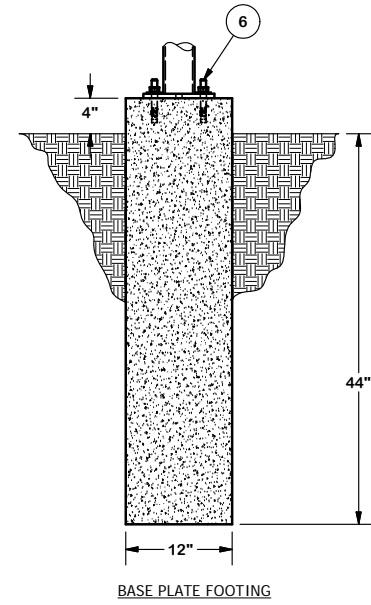


| PARTS LIST | | | | | | |
|------------|-----|----------|---|----------|-------------|---------|
| ITEM | QTY | PART NO. | PART DESCRIPTION | LENGTH | UNIT WT. | NET WT. |
| 1 | 2 | X-SP126 | BASE SHOE PLATE PIPE COLUMN | | 89.00 | 177.99 |
| 2 | 1 | GRS12 | 12" WIDE GRIP STRUT | | 24.40 | 24.40 |
| 3 | 2 | HHD12 | 12" CANTILEVER WELDMENT | | 8.01 | 16.02 |
| 4 | 6 | ZB12 | 1/8" MILL PLATE (Fy=35 Ksi Min) | | 3.16 | 18.95 |
| 5 | 4 | X-UB1358 | 1/2" X 3-5/8" X 5-1/2" X 3" U-BOLT (HDG.) | | 0.26 | 1.03 |
| 6 | 8 | SWA585 | 5/8" X 5" STAINLESS WEDGE ANCHOR | | 0.64 | 5.09 |
| 7 | 2 | PC312 | 3-1/2" FENCE POST CAP | | 0.59 | 1.17 |
| 8 | 6 | SS38R-18 | 3/8" X18" THREADED ROD (STAINLESS STEEL) | | 0.56 | 3.39 |
| 9 | 4 | SPLICE | SPLICE FOR GRIP STRUT | 7 3/8 in | 0.53 | 2.12 |
| 10 | 12 | SQW38 | 3/8" SQUARE WASHER (GALV.) | 2 in | 0.27 | 3.28 |
| 11 | 8 | G3803 | 3/8" x 3" HDG HEX BOLT GR5 | | 0.12 | 0.97 |
| 12 | 8 | G12NUT | 1/2" HDG HEAVY 2H HEX NUT | | 0.07 | 0.57 |
| 13 | 8 | G38NUT | 3/8" HDG HEAVY 2H HEX NUT | | 0.03 | 0.27 |
| 14 | 8 | G12FW | 1/2" HDG USS FLATWASHER | | 0.03 | 0.27 |
| 15 | 36 | SS38NUT | 3/8" SS HEX NUT | | 0.02 | 0.66 |
| 16 | 36 | SS38LW | 3/8" SS LOCKWASHER | | 0.01 | 0.24 |
| 17 | 36 | SS38FW | 3/8" STAINLESS FLATWASHER | | 0.01 | 0.32 |
| 18 | 8 | G38LW | 3/8" HDG LOCKWASHER | | 0.01 | 0.05 |
| 19 | 16 | G38FW | 3/8" HDG USS FLATWASHER | | 0.01 | 0.19 |
| 20 | 8 | G12LW | 1/2" HDG LOCKWASHER | | 0.01 | 0.11 |
| | | | | | TOTAL WT. # | 246.81 |



TOLERANCE NOTES
 TOLERANCES ON DIMENSIONS, UNLESS OTHERWISE NOTED ARE:
 SAWED, SHEARED AND GAS CUT EDGES ($\pm 0.030"$)
 DRILLED AND GAS CUT HOLES ($\pm 0.030"$) - NO CONING OF HOLES
 LASER CUT EDGES AND HOLES ($\pm 0.010"$) - NO CONING OF HOLES
 BENDS ARE $\pm 1/2$ DEGREE
 ALL OTHER MACHINING ($\pm 0.030"$)
 ALL OTHER ASSEMBLY ($\pm 0.060"$)

PROPRIETARY NOTE:
 THE DATA AND TECHNIQUES CONTAINED IN THIS DRAWING ARE PROPRIETARY INFORMATION OF VALMONT INDUSTRIES AND CONSIDERED A TRADE SECRET. ANY USE OR DISCLOSURE WITHOUT THE CONSENT OF VALMONT INDUSTRIES IS STRICTLY PROHIBITED.

| | | | |
|-------------|---------------|--|---------------|
| DESCRIPTION | | 12" GRIP-SPAN ICE BRIDGE KITS WITH 2-LEVEL Z-BRACKET TRAPEZE BASE SHOE | |
| CPD NO. | DRAWN BY | ENG. APPROVAL | |
| | CEK 7/20/2015 | | |
| CLASS | SUB | DRAWING USAGE | CHECKED BY |
| 81 | 02 | CUSTOMER | BMC 7/20/2015 |

| | |
|---|---|
| Engineering Support Team: 1-888-753-7446 | Locations: New York, NY Atlanta, GA Los Angeles, CA Plymouth, IN Salem, OR Dallas, TX |
| | PART NO. IB12B-Z2 |
| DWG. NO. IB12B-Z2 | PAGE 1 OF 1 |