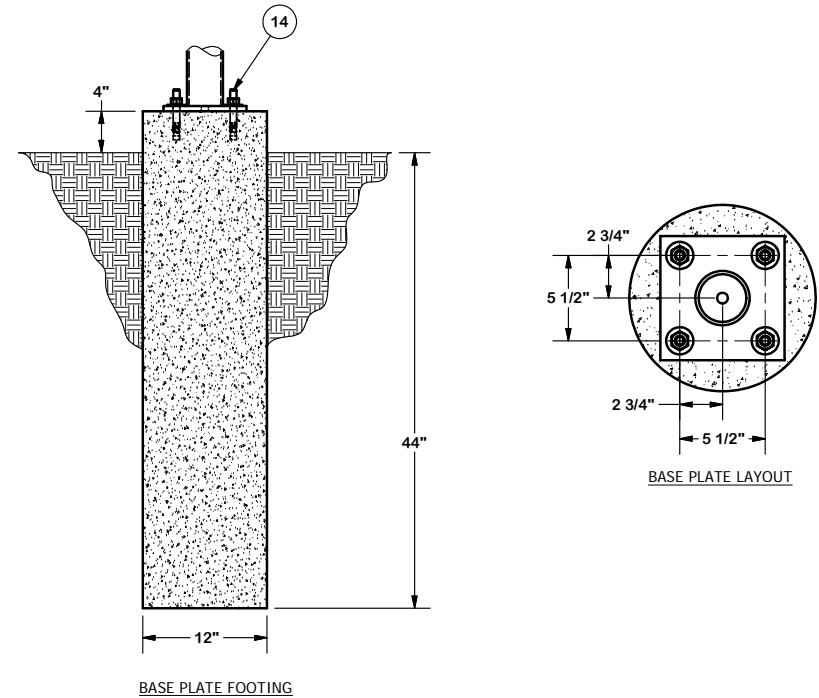


PARTS LIST						
ITEM	QTY	PART NO.	PART DESCRIPTION	LENGTH	UNIT WT.	NET WT.
1	2	X-SP126	BASE SHOE PLATE PIPE COLUMN		89.00	177.99
4	4	X-UB1358	1/2" X 3-5/8" X 5-1/2" X 3" U-BOLT (HDG.)		0.66	2.63
5	8	G12FW	1/2" HDG USS FLATWASHER		0.03	0.27
6	8	G12LW	1/2" HDG LOCKWASHER		0.01	0.11
7	8	G12NUT	1/2" HDG HEAVY 2H HEX NUT		0.07	0.57
8	2	PC312	3-1/2" FENCE POST CAP		0.59	1.17
9	4	SPLICE	SPLICE FOR GRIP STRUT	7 3/8 in	0.53	2.10
10	16	G38FW	3/8" HDG USS FLATWASHER		0.01	0.19
11	8	G3803	3/8" x 3" HDG HEX BOLT GR5		0.12	0.97
12	8	G38LW	3/8" HDG LOCKWASHER		0.01	0.05
13	8	G38NUT	3/8" HDG HEAVY 2H HEX NUT		0.03	0.27
14	8	SWA585	5/8" X 5" STAINLESS WEDGE ANCHOR		0.64	5.09
15	1	GRS24	24" X 10' GRIP SPAN BRIDGE CHANNEL		67.98	67.98
16	2	HHD24	24" UNIVERSAL CANTILEVER		14.10	28.20
					TOTAL WT. #	285.48



TOLERANCE NOTES

TOLERANCES ON DIMENSIONS, UNLESS OTHERWISE NOTED ARE:
 SAWED, SHEARED AND GAS CUT EDGES ($\pm 0.030"$)
 DRILLED AND GAS CUT HOLES ($\pm 0.030"$) - NO CONING OF HOLES
 LASER CUT EDGES AND HOLES ($\pm 0.010"$) - NO CONING OF HOLES
 BENDS ARE $\pm 1/2$ DEGREE
 ALL OTHER MACHINING ($\pm 0.030"$)
 ALL OTHER ASSEMBLY ($\pm 0.060"$)

PROPRIETARY NOTE:
 THE DATA AND TECHNIQUES CONTAINED IN THIS DRAWING ARE PROPRIETARY INFORMATION OF VALMONT INDUSTRIES AND CONSIDERED A TRADE SECRET. ANY USE OR DISCLOSURE WITHOUT THE CONSENT OF VALMONT INDUSTRIES IS STRICTLY PROHIBITED.

DESCRIPTION
**CANTILEVER GRIP-SPAN ICE BRIDGE KIT
 WITH NO TRAPEZOID
 BASE SHOE**

SITE PRO 1
 Engineering Support Team:
 1-888-753-7446

Locations:
 New York, NY
 Atlanta, GA
 Los Angeles, CA
 Plymouth, IN
 Salem, OR
 Dallas, TX

CPD NO.	DRAWN BY CEK 8/10/2011	ENG. APPROVAL
CLASS 81	SUB 02	DRAWING USAGE CUSTOMER
	CHECKED BY BMC 8/15/2011	

PART NO.	IB24B	PAGE 1 OF 1
DWG. NO.	IB24B	