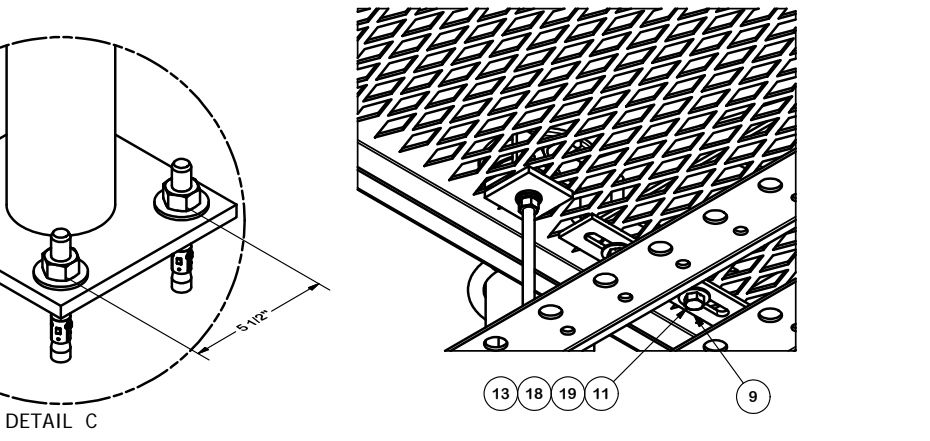


PARTS LIST						
ITEM	QTY	PART NO.	PART DESCRIPTION	LENGTH	UNIT WT.	NET WT.
1	2	X-SP126	BASE SHOE PLATE PIPE COLUMN		89.00	177.99
2	1	GRS24	24" X 10" GRIP SPAN BRIDGE CHANNEL		67.98	67.98
3	2	HHD24	24" UNIVERSAL CANTILEVER		14.10	28.20
4	9	ZB24	Z-BRACKET WALL MOUNT FOR 8 RUNS OF COAX		6.00	54.02
5	4	X-UB1358	1/2" X 3-5/8" X 5-1/2" X 3" U-BOLT (HDG.)		0.66	2.63
6	8	SWA585	5/8" X 5" STAINLESS WEDGE ANCHOR		0.64	5.09
7	2	PC312	3-1/2" FENCE POST CAP		0.59	1.17
8	6	SS38R-18	3/8" X 18" THREADED ROD (STAINLESS STEEL)		0.56	3.39
9	4	SPLICE	SPLICE FOR GRIP STRUT	7 3/8 in	0.53	2.10
10	12	SQW38	3/8" SQUARE WASHER (GALV.)	2 in	0.27	3.28
11	8	G3803	3/8" x 3" HDG HEX BOLT GR5		0.12	0.97
12	8	G12NUT	1/2" HDG HEAVY 2H HEX NUT		0.07	0.57
13	8	G38NUT	3/8" HDG HEAVY 2H HEX NUT		0.03	0.27
14	8	G12FW	1/2" HDG USS FLATWASHER		0.03	0.27
15	48	SS38NUT	3/8" SS HEX NUT		0.02	0.88
16	48	SS38LW	3/8" SS LOCKWASHER		0.01	0.32
17	48	SS38FW	3/8" STAINLESS FLATWASHER		0.01	0.42
18	8	G38LW	3/8" HDG LOCKWASHER		0.01	0.05
19	16	G38FW	3/8" HDG USS FLATWASHER		0.01	0.19
20	8	G12LW	1/2" HDG LOCKWASHER		0.01	0.11
					TOTAL WT. #	345.22



**TOLERANCE NOTES**  
 TOLERANCES ON DIMENSIONS, UNLESS OTHERWISE NOTED ARE:  
 SAWED, SHEARED AND GAS CUT EDGES ( $\pm 0.030"$ )  
 DRILLED AND GAS CUT HOLES ( $\pm 0.030"$ ) - NO CONING OF HOLES  
 LASER CUT EDGES AND HOLES ( $\pm 0.010"$ ) - NO CONING OF HOLES  
 BENDS ARE  $\pm 1/2$  DEGREE  
 ALL OTHER MACHINING ( $\pm 0.030"$ )  
 ALL OTHER ASSEMBLY ( $\pm 0.060"$ )

**PROPRIETARY NOTE:**  
 THE DATA AND TECHNIQUES CONTAINED IN THIS DRAWING ARE PROPRIETARY INFORMATION OF VALMONT INDUSTRIES AND CONSIDERED A TRADE SECRET. ANY USE OR DISCLOSURE WITHOUT THE CONSENT OF VALMONT INDUSTRIES IS STRICTLY PROHIBITED.

DESCRIPTION 24' GRIP-SPAN ICE BRIDGE KITS WITH 3-LEVEL Z-BRACKET TRAPEZE BASE SHOE		
CPD NO.	DRAWN BY CEK 9/14/2011	ENG. APPROVAL
CLASS 81	SUB 02	DRAWING USAGE CUSTOMER
	CHECKED BY BMC	3/6/2012

 A valmont COMPANY	Locations: New York, NY Atlanta, GA Los Angeles, CA Plymouth, IN Salem, OR Dallas, TX
	Engineering Support Team: 1-888-753-7446
PART NO.	IB24B-Z3
DWG. NO.	IB24B-Z3