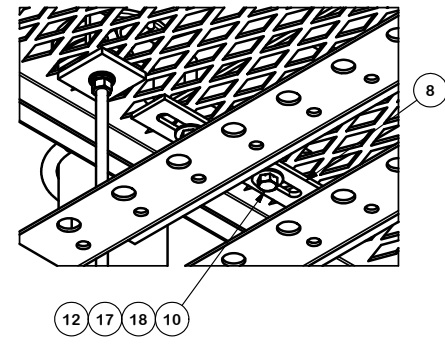


| PARTS LIST | | | | | | |
|------------|-----|----------|---|----------|--------------------|---------------|
| ITEM | QTY | PART NO. | PART DESCRIPTION | LENGTH | UNIT WT. | NET WT. |
| 1 | 2 | P3160 | 3-1/2" X 160" SCH 40 GALVANIZED PIPE | 160 in | 101.25 | 202.50 |
| 2 | 1 | GRS24 | 24" X 10' GRIP SPAN BRIDGE CHANNEL | | 67.98 | 67.98 |
| 3 | 2 | HHD24 | 24" UNIVERSAL CANTILEVER | | 14.10 | 28.20 |
| 4 | 9 | ZB24 | Z-BRACKET WALL MOUNT FOR 8 RUNS OF COAX | | 6.00 | 54.02 |
| 5 | 4 | X-UB1358 | 1/2" X 3-5/8" X 5-1/2" X 3" U-BOLT (HDG.) | | 0.66 | 2.63 |
| 6 | 2 | PC312 | 3-1/2" FENCE POST CAP | | 0.59 | 1.17 |
| 7 | 6 | SS38R-18 | 3/8" X 18" THREADED ROD (STAINLESS STEEL) | | 0.56 | 3.39 |
| 8 | 4 | SPLICE | SPLICE FOR GRIP STRUT | 7 3/8 in | 0.53 | 2.10 |
| 9 | 12 | SQW38 | 3/8" SQUARE WASHER (GALV.) | 2 in | 0.27 | 3.28 |
| 10 | 8 | G3803 | 3/8" x 3" HDG HEX BOLT GR5 | | 0.12 | 0.97 |
| 11 | 8 | G12NUT | 1/2" HDG HEAVY 2H HEX NUT | | 0.07 | 0.57 |
| 12 | 8 | G38NUT | 3/8" HDG HEAVY 2H HEX NUT | | 0.03 | 0.27 |
| 13 | 8 | G12FW | 1/2" HDG USS FLATWASHER | | 0.03 | 0.27 |
| 14 | 48 | SS38NUT | 3/8" SS HEX NUT | | 0.02 | 0.88 |
| 15 | 48 | SS38LW | 3/8" SS LOCKWASHER | | 0.01 | 0.32 |
| 16 | 48 | SS38FW | 3/8" STAINLESS FLATWASHER | | 0.01 | 0.42 |
| 17 | 8 | G38LW | 3/8" HDG LOCKWASHER | | 0.01 | 0.05 |
| 18 | 16 | G38FW | 3/8" HDG USS FLATWASHER | | 0.01 | 0.19 |
| 19 | 8 | G12LW | 1/2" HDG LOCKWASHER | | 0.01 | 0.11 |
| | | | | | TOTAL WT. # | 365.76 |



TOLERANCE NOTES

TOLERANCES ON DIMENSIONS, UNLESS OTHERWISE NOTED ARE:
 SAWED, SHEARED AND GAS CUT EDGES ($\pm 0.030"$)
 DRILLED AND GAS CUT HOLES ($\pm 0.030"$) - NO CONING OF HOLES
 LASER CUT EDGES AND HOLES ($\pm 0.010"$) - NO CONING OF HOLES
 BENDS ARE $\pm 1/2$ DEGREE
 ALL OTHER MACHINING ($\pm 0.030"$)
 ALL OTHER ASSEMBLY ($\pm 0.060"$)

PROPRIETARY NOTE:
 THE DATA AND TECHNIQUES CONTAINED IN THIS DRAWING ARE PROPRIETARY INFORMATION OF VALMONT INDUSTRIES AND CONSIDERED A TRADE SECRET. ANY USE OR DISCLOSURE WITHOUT THE CONSENT OF VALMONT INDUSTRIES IS STRICTLY PROHIBITED.

| | | | | | |
|---|---------------|---------------|------|---------------|--|
| DESCRIPTION | | DRAWN BY | | ENG. APPROVAL | |
| 24' GRIP-SPAN ICE BRIDGE KITS WITH 3-LEVEL Z-BRACKET TRAPEZE 13'-4" DIRECT BURIAL | | CEK 9/14/2011 | | | |
| CPD NO. | DRAWING USAGE | CHECKED BY | DATE | | |
| 81 | 02 | CUSTOMER | BMC | 3/6/2012 | |

| | | | |
|-----------------------|---|------|--------|
| A valmont COMPANY | Locations: New York, NY Atlanta, GA Los Angeles, CA Plymouth, IN Salem, OR Dallas, TX | | |
| | Engineering Support Team: 1-888-753-7446 | | |
| PART NO. | IB24D-Z3 | PAGE | 1 OF 1 |
| DWG. NO. | IB24D-Z3 | | |