

PARTS LIST						
ITEM	QTY	PART NO.	PART DESCRIPTION	LENGTH	UNIT WT.	NET WT.
1	2	X-154463	UNIVERSAL PIPE MOUNTING PLATE (INNER)		10.52	21.03
2	2	X-155561	UNIVERSAL PIPE MOUNTING PLATE (OUTER)		13.16	26.31
3	2	X-159999	BACKING PLATE		5.73	11.46
4	1	X-151364	STRUT ARM FOR LIGHTWEIGHT T-FRAME		72.39	72.39
5	1	X-151370	LIGHTWEIGHT T-FRAME MOUNTING ARM, 78" LONG		65.55	65.55
6	1	X-151367	LIGHTWEIGHT T-FRAME MOUNTING ARM, 66" LONG		53.50	53.50
7	1	P472	4-1/2" X 72" SCH. 40 GALVANIZED PIPE		64.89	64.89
8	2	P1126	1 1/4" X 126" SCH 40 PIPE (STIFF ARM)		25.12	50.23
9	4	A	2-3/8" Sch 40 Galvanized Pipe	B	See Table	See Table
10	10	X-123614	FLAT DISK CLAMP PLATE 3" CENTERS (GALVANIZED)		1.52	15.15
11	20	X-116165	3" V-CLAMP		0.74	14.85
12	2	X-127594	FLAT DISK CLAMP PLATE 4" CENTERS (GALVANIZED)		2.48	4.97
13	4	X-100064	CLAMP (S) (4" V-CLAMP) GALVANIZED		0.91	3.65
14	1	X-115765	5" V-CLAMP		1.02	1.02
15	4	G5802	5/8" x 2" HDG HEX BOLT GR5		0.27	1.09
16	4	G58FW	5/8" HDG USS FLATWASHER		0.07	0.28
17	4	G58LW	5/8" HDG LOCKWASHER		0.03	0.10
18	4	G58NUT	5/8" HDG HEAVY 2H HEX NUT		0.13	0.52
19	32	G1204	1/2" x 4" HDG HEX BOLT GR5 FULL THREAD		0.27	8.64
20	12	G12065	1/2" x 6-1/2" HDG HEX BOLT GR5 FULL THREAD		0.41	4.91
21	20	G1203	1/2" x 3" HDG HEX BOLT GR5 FULL THREAD	3	0.22	4.34
22	4	G12212	1/2" x 2-1/2" HDG HEX BOLT GR5		0.20	0.81
23	9	X-UB1458	1/2" X 4-5/8" X 7" X 3" GALV U-BOLT		0.97	8.74
24	74	G12FW	1/2" HDG USS FLATWASHER		0.03	2.52
25	78	G12LW	1/2" HDG LOCKWASHER		0.01	1.08
26	78	G12NUT	1/2" HDG HEAVY 2H HEX NUT		0.07	5.59
					TOTAL WT. #	See Table

Part #	TABLE		"A" UNIT WT.	"A" NET WT.	TOTAL WT. #
	A	B			
LTF12-472	P272	72"	23.07	92.28	532.46
LTF12-484	P284	84"	26.91	107.64	547.84
LTF12-496	P296	96"	30.76	123.04	563.22

**TOLERANCE NOTES**  
 TOLERANCES ON DIMENSIONS, UNLESS OTHERWISE NOTED ARE:  
 SAWED, SHEARED AND GAS CUT EDGES ( $\pm 0.030"$ )  
 DRILLED AND GAS CUT HOLES ( $\pm 0.030"$ ) - NO CONING OF HOLES  
 LASER CUT EDGES AND HOLES ( $\pm 0.010"$ ) - NO CONING OF HOLES  
 BENDS ARE  $\pm 1/2$  DEGREE  
 ALL OTHER MACHINING ( $\pm 0.030"$ )  
 ALL OTHER ASSEMBLY ( $\pm 0.060"$ )

PROPRIETARY NOTE:  
 THE DATA AND TECHNIQUES CONTAINED IN THIS DRAWING ARE PROPRIETARY INFORMATION OF VALMONT INDUSTRIES AND CONSIDERED A TRADE SECRET. ANY USE OR DISCLOSURE WITHOUT THE CONSENT OF VALMONT INDUSTRIES IS STRICTLY PROHIBITED.

DESCRIPTION  
 12'  
 LIGHTWEIGHT T-FRAME  
 W/ (2) STIFF ARMS

CPD NO. 4838  
 DRAWN BY RH18 10/18/2010  
 CLASS 81 SUB 01  
 DRAWING USAGE CUSTOMER

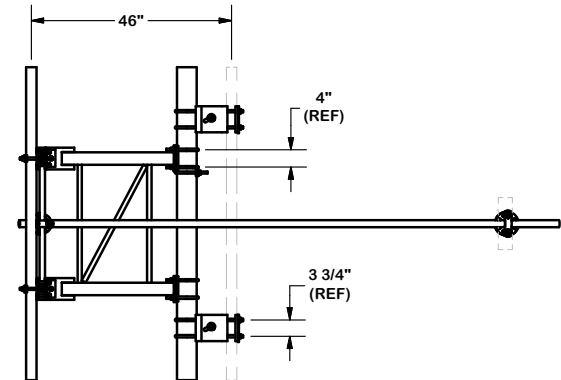
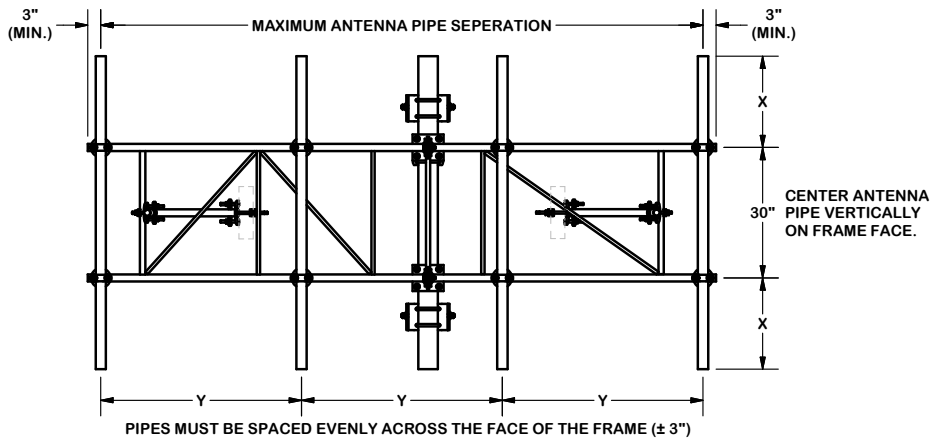
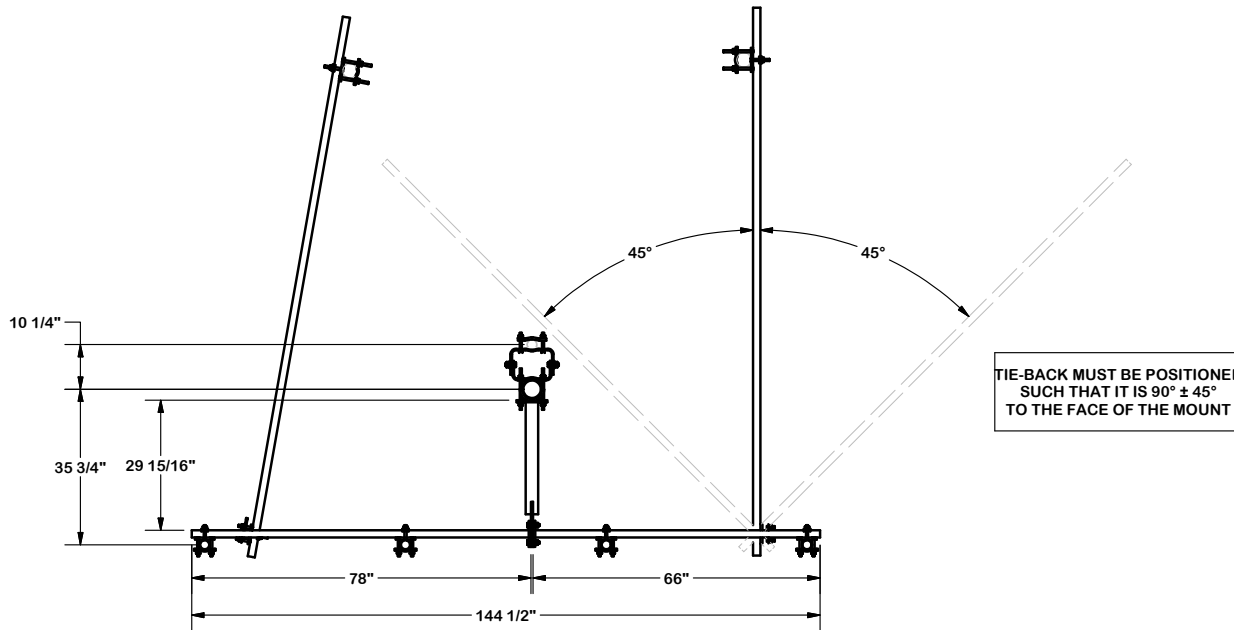
ENG. APPROVAL  
 CHECKED BY BMC 10/22/2010

**SITE PRO 1**  
 Engineering Support Team:  
 1-888-753-7446

Locations:  
 New York, NY  
 Atlanta, GA  
 Los Angeles, CA  
 Plymouth, IN  
 Salem, OR  
 Dallas, TX

PART NO. SEE TABLE  
 DWG. NO. LTF12-4XX

1 OF 2



**TOLERANCE NOTES**

TOLERANCES ON DIMENSIONS, UNLESS OTHERWISE NOTED ARE:  
 SAWED, SHEARED AND GAS CUT EDGES ( $\pm 0.030"$ )  
 DRILLED AND GAS CUT HOLES ( $\pm 0.030"$ ) - NO CONING OF HOLES  
 LASER CUT EDGES AND HOLES ( $\pm 0.010"$ ) - NO CONING OF HOLES  
 BENDS ARE  $\pm 1/2$  DEGREE  
 ALL OTHER MACHINING ( $\pm 0.030"$ )  
 ALL OTHER ASSEMBLY ( $\pm 0.060"$ )

PROPRIETARY NOTE:  
 THE DATA AND TECHNIQUES CONTAINED IN THIS DRAWING ARE PROPRIETARY INFORMATION OF VALMONT INDUSTRIES AND CONSIDERED A TRADE SECRET. ANY USE OR DISCLOSURE WITHOUT THE CONSENT OF VALMONT INDUSTRIES IS STRICTLY PROHIBITED.

DESCRIPTION  
 12'  
 LIGHTWEIGHT T-FRAME  
 W/ (2) STIFF ARMS

CPD NO. 4838	DRAWN BY RH18 10/18/2010	ENG. APPROVAL
CLASS 81	SUB 01	DRAWING USAGE CUSTOMER
		CHECKED BY BMC 10/22/2010

**SITE PRO 1**

Engineering Support Team:  
 1-888-753-7446

Locations:  
 New York, NY  
 Atlanta, GA  
 Los Angeles, CA  
 Plymouth, IN  
 Salem, OR  
 Dallas, TX

PART NO.	SEE TABLE	PAGE 2 OF 2
DWG. NO.	LTF12-4XX	