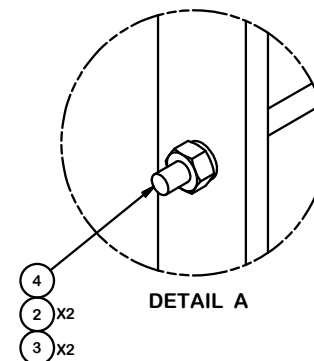


PARTS LIST						
ITEM	QTY	PART NO.	PART DESCRIPTION	LENGTH	UNIT WT.	NET WT.
1	1	X-254247	1' STANDOFF WELDMENT		16.06	16.06
2	6	G38LW	3/8" HDG LOCKWASHER		0.01	0.04
3	6	G38NUT	3/8" HDG HEAVY 2H HEX NUT		0.03	0.20
4	3	G38R-12	3/8" x 12" THREADED ROD (HDG.)		0.55	1.65
5	3	SQW38	3/8" SQUARE WASHER (GALV.)	2 in	0.27	0.82
TOTAL WT. #						18.25



**TOLERANCE NOTES**

TOLERANCES ON DIMENSIONS, UNLESS OTHERWISE NOTED ARE:  
 SAWED, SHEARED AND GAS CUT EDGES ( $\pm 0.030"$ )  
 DRILLED AND GAS CUT HOLES ( $\pm 0.030"$ ) - NO CONING OF HOLES  
 LASER CUT EDGES AND HOLES ( $\pm 0.010"$ ) - NO CONING OF HOLES  
 BENDS ARE  $\pm 1/2$  DEGREE  
 ALL OTHER MACHINING ( $\pm 0.030"$ )  
 ALL OTHER ASSEMBLY ( $\pm 0.060"$ )

PROPRIETARY NOTE:  
 THE DATA AND TECHNIQUES CONTAINED IN THIS DRAWING ARE PROPRIETARY INFORMATION OF VALMONT INDUSTRIES AND CONSIDERED A TRADE SECRET. ANY USE OR DISCLOSURE WITHOUT THE CONSENT OF VALMONT INDUSTRIES IS STRICTLY PROHIBITED.

DESCRIPTION  
**1' LIGHTWEIGHT  
 STANDOFF ARM**

**SITE PRO 1**  
 Engineering Support Team:  
 1-888-753-7446

Locations:  
 New York, NY  
 Atlanta, GA  
 Los Angeles, CA  
 Plymouth, IN  
 Salem, OR  
 Dallas, TX

A valmont COMPANY

CPD NO.	DRAWN BY CEK 4/23/2014	ENG. APPROVAL
CLASS 81	SUB 01	DRAWING USAGE CUSTOMER
	CHECKED BY BMC 4/23/2014	

PART NO. <b>LWSA-1</b>	PAGE 1 OF 1
DWG. NO. <b>LWSA-1</b>	