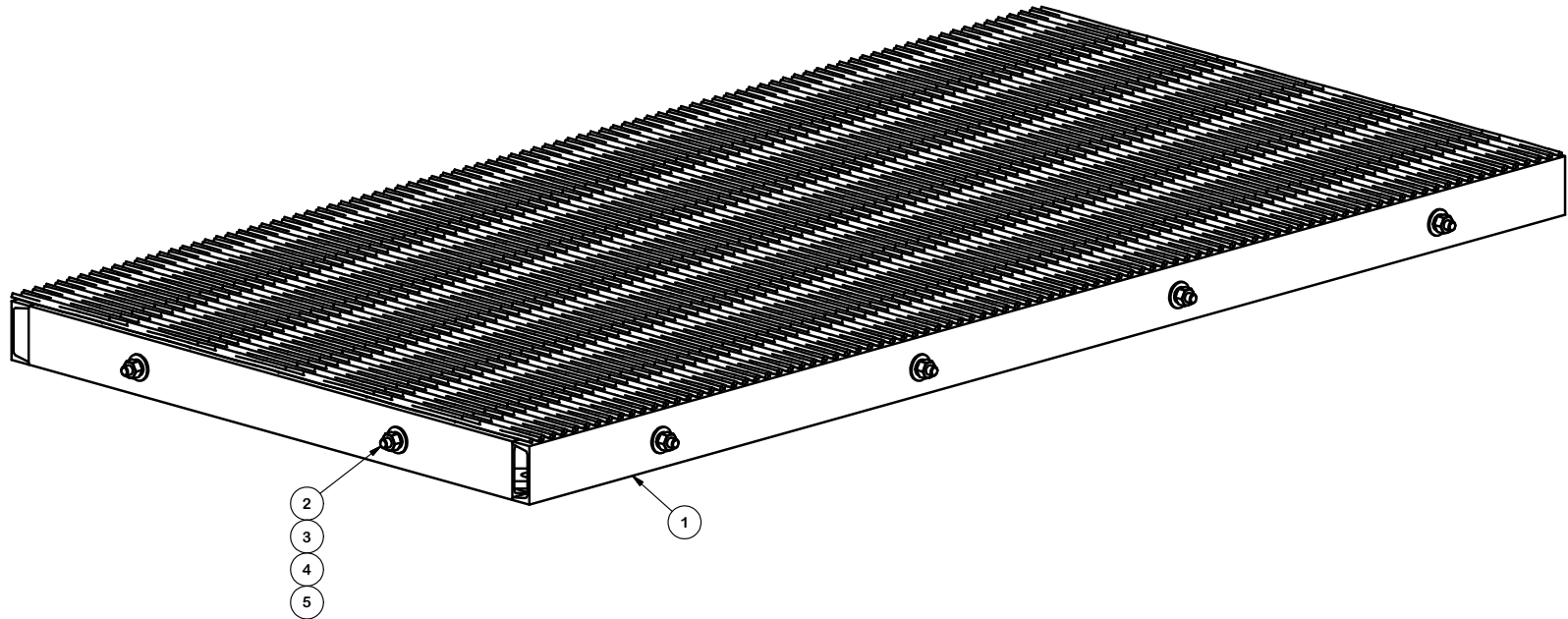


PARTS LIST						
ITEM	QTY	PART NO.	PART DESCRIPTION	LENGTH	UNIT WT.	NET WT.
1	1	X-MEP48	4' X 8' WELDED EQUIPMENT RACK BASE		377.38	377.38
2	6	G58134	5/8" x 1-3/4" HDG BOLT	1 3/4 in	0.27	1.61
3	6	G58FW	5/8" HDG USS FLATWASHER	1/8 in	0.07	0.42
4	6	G58LW	5/8" HDG LOCKWASHER		0.03	0.16
5	6	G58NUT	5/8" HDG HEAVY 2H HEX NUT		0.13	0.78
					TOTAL WT. #	409.38



NOTE:
INCLUDES ATTACHMENT HARDARE
FOR TWO SIDES OF PLATFORM

TOLERANCE NOTES

**TOLERANCES ON DIMENSIONS, UNLESS OTHERWISE NOTED ARE:
SAWED, SHEARED AND GAS CUT EDGES ($\pm 0.030"$)
DRILLED AND GAS CUT HOLES ($\pm 0.030"$) - NO CONING OF HOLES
LASER CUT EDGES AND HOLES ($\pm 0.010"$) - NO CONING OF HOLES
BENDS ARE $\pm 1/2$ DEGREE
ALL OTHER MACHINING ($\pm 0.030"$)
ALL OTHER ASSEMBLY ($\pm 0.060"$)**

**PROPRIETARY NOTE:
THE DATA AND TECHNIQUES CONTAINED IN THIS DRAWING ARE PROPRIETARY INFORMATION OF VALMONT
INDUSTRIES AND CONSIDERED A TRADE SECRET. ANY USE OR DISCLOSURE WITHOUT THE CONSENT OF
VALMONT INDUSTRIES IS STRICTLY PROHIBITED.**

DESCRIPTION
**4' X 8' MODULAR
EQUIPMENT PLATFORM BASE**

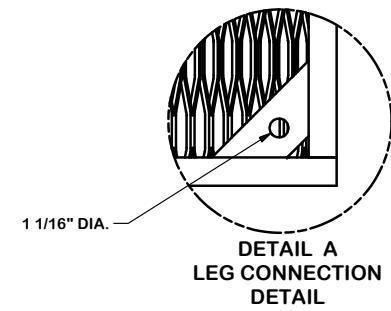
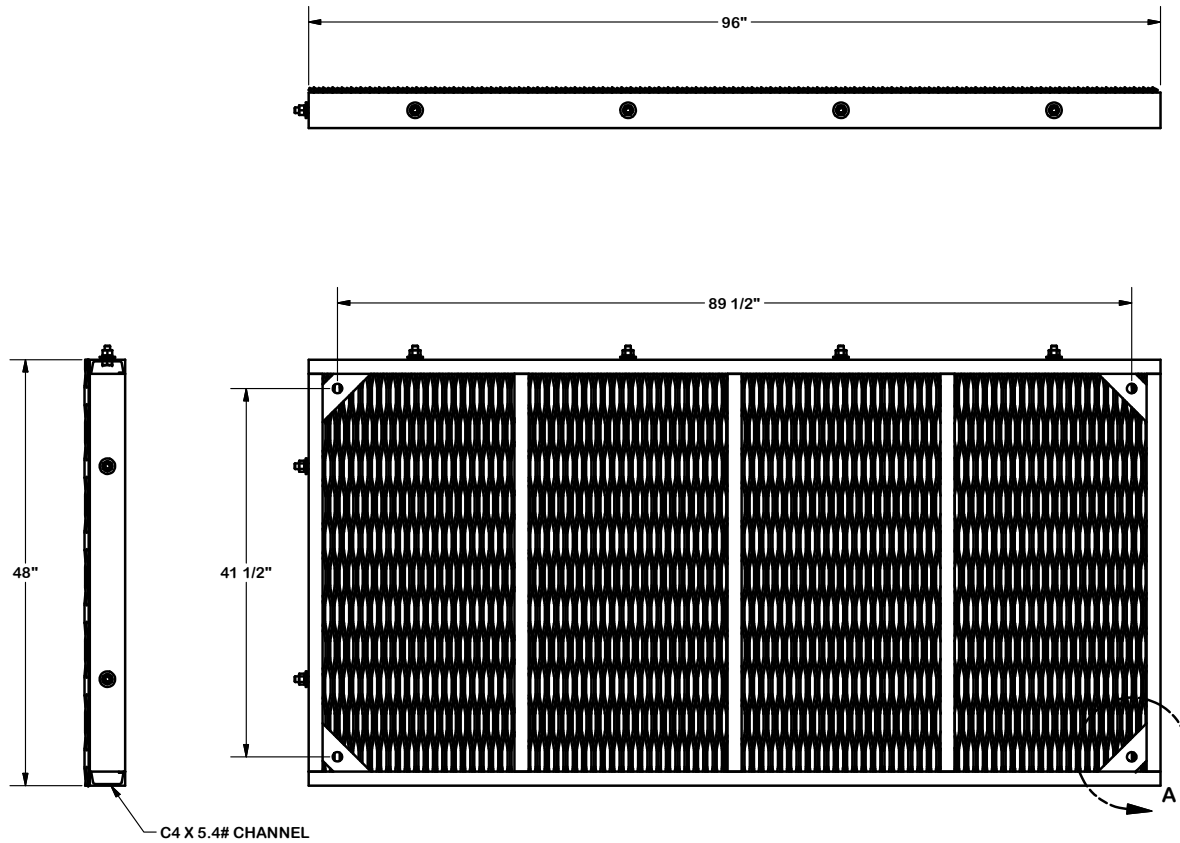
CPD NO.	DRAWN BY CEK 1/27/2016	ENG. APPROVAL
CLASS 81	SUB 02	DRAWING USAGE CUSTOMER
CHECKED BY BMC 3/12/2016		



Engineering
Support Team:
1-888-753-7446

Locations:
New York, NY
Atlanta, GA
Los Angeles, CA
Plymouth, IN
Salem, OR
Dallas, TX

PART NO.	MEP48
DWG. NO.	MEP48



TOLERANCE NOTES

TOLERANCES ON DIMENSIONS, UNLESS OTHERWISE NOTED ARE:
 SAWED, SHEARED AND GAS CUT EDGES ($\pm 0.030"$)
 DRILLED AND GAS CUT HOLES ($\pm 0.030"$) - NO CONING OF HOLES
 LASER CUT EDGES AND HOLES ($\pm 0.010"$) - NO CONING OF HOLES
 BENDS ARE $\pm 1/2$ DEGREE
 ALL OTHER MACHINING ($\pm 0.030"$)
 ALL OTHER ASSEMBLY ($\pm 0.060"$)

PROPRIETARY NOTE:
 THE DATA AND TECHNIQUES CONTAINED IN THIS DRAWING ARE PROPRIETARY INFORMATION OF VALMONT INDUSTRIES AND CONSIDERED A TRADE SECRET. ANY USE OR DISCLOSURE WITHOUT THE CONSENT OF VALMONT INDUSTRIES IS STRICTLY PROHIBITED.

DESCRIPTION
**4' X 8' MODULAR
 EQUIPMENT PLATFORM BASE**

	Engineering Support Team: 1-888-753-7446	Locations: New York, NY Atlanta, GA Los Angeles, CA Plymouth, IN Salem, OR Dallas, TX
	A valmont COMPANY	

CPD NO.	DRAWN BY	ENG. APPROVAL
	CEK 1/27/2016	
CLASS	SUB	DRAWING USAGE
81	02	CUSTOMER
	CHECKED BY	
	BMC 3/12/2016	

PART NO.	MEP48	PAGE 2 OF 2
DWG. NO.	MEP48	