

PARTS LIST						
ITEM	QTY	PART NO.	PART DESCRIPTION	LENGTH	UNIT WT.	NET WT.
1	4	X-MEP44	4' X 4' MODULAR EQUIPMENT PLATFORM BASE		201.72	806.87
2	9	X-MPADL	MODULAR PLATFORM FOOTPAD LARGE		33.38	300.43
3	1	X-MAW	MODULAR EQUIPMENT PLATFORM ACCESS WELDMENT		53.54	53.54
4	6	X-MRAIL4	4' HANDRAIL WELDMNT FOR MODULAR EQUIPMENT PLATFORM		60.49	362.92
5	2	X-MRAIL2	2' HANDRAIL WELDMNT FOR MODULAR EQUIPMENT PLATFORM		29.50	59.00
6	4	X-MTRC	MODULAR TOP RAIL CORNER SPLICE		1.25	5.02
7	8	X-MKPC	MODULAR KICKER PLATE CORNER SPLICE	4 in	1.66	13.25
8	5	X-MTRS	MODULAR TOP RAIL STRAIGHT SPLICE		1.88	9.39
9	10	X-MKPS	MODULAR KICKER PLATE STRAIGHT SPLICE	6 5/16 in	1.86	18.59
10	1	X-MSWS	WELDED STEP FOR 1 LEVEL MODULAR STEP		52.77	52.77
11	4	X-MPOST	SUPPORT POST FOR EQUIPMENT PLATFORM ICE BRIDGE KITS		92.99	371.97
12	4	X-MBPB	BACKING PLATE FOR X-MPOST	8 in	8.48	33.90
13	8	X-232698	TRPD-HD SUPPORT PLATE - SITE PRO 1	29 1/2 in	8.72	69.77
14	4	PC312	3-1/2" FENCE POST CAP		0.59	2.34
15	8	SCP	CLAMP HALF, 1/2" x 5-3/4"		1.29	10.34
16	8	SHCM-T	CHAIN MOUNT TIGHTENER BRACKET	3 in	1.84	14.73
17	16	X-JB8	J-BOLT, 3/8" X 8" X 6" THREADED		0.33	5.29
18	8	X-124312	1/2" X 2" X 2" ANGLE SPACER; WITH 9/16" HOLE	2 in	0.53	4.26
19	9	G1R-12	1" x 12" THREADED ROD (HDG.)	12 in	2.68	24.09
20	18	G1LW	1" LOCK WASHER		0.09	1.70
21	36	G1NUT	1" HDG HEAVY HEX NUT		0.47	16.94
22	16	G58312	5/8" x 3-1/2" HDG HEX BOLT GR5		0.40	6.41
23	64	G58134	5/8" x 1-3/4" HDG BOLT	1 3/4 in	0.27	17.21
24	82	G58FW	5/8" HDG USS FLATWASHER	1/8 in	0.07	5.78
25	80	G58LW	5/8" HDG LOCKWASHER		0.03	2.09
26	80	G58NUT	5/8" HDG HEAVY 2H HEX NUT		0.13	10.39
27	16	X-UB1358	1/2" X 3-5/8" X 5-1/2" X 3" GALV U-BOLT		0.77	12.36
28	8	G1203	1/2" x 3" HDG HEX BOLT GR5 FULL THREAD	3 in	0.22	1.74
29	8	G1202	1/2" x 2" HDG HEX BOLT GR5	2 in	0.18	1.41
30	32	G12FW	1/2" HDG USS FLATWASHER	3/32 in	0.03	1.09
31	48	G12LW	1/2" HDG LOCKWASHER	1/8 in	0.01	0.67
32	56	G12NUT	1/2" HDG HEAVY 2H HEX NUT		0.07	4.01
33	4	GRS24	24" X 10' GRIP SPAN BRIDGE CHANNEL		87.48	349.93
34	16	SQW38	3/8" SQUARE WASHER (GALV.)	2 in	0.27	4.37
35	16	G38LW	3/8" HDG LOCKWASHER		0.01	0.11
36	16	G38NUT	3/8" HDG HEAVY 2H HEX NUT		0.03	0.54
37	2	X-COV8	8' HORIZONTAL COV SUPPORT ANGLE	96 in	53.00	106.00
					TOTAL WT. #	2761.20

TOLERANCE NOTES

TOLERANCES ON DIMENSIONS, UNLESS OTHERWISE NOTED ARE:
 SAWED, SHEARED AND GAS CUT EDGES ($\pm 0.030"$)
 DRILLED AND GAS CUT HOLES ($\pm 0.030"$) - NO CONING OF HOLES
 LASER CUT EDGES AND HOLES ($\pm 0.010"$) - NO CONING OF HOLES
 BENDS ARE $\pm 1/2$ DEGREE
 ALL OTHER MACHINING ($\pm 0.030"$)
 ALL OTHER ASSEMBLY ($\pm 0.060"$)

PROPRIETARY NOTE:
 THE DATA AND TECHNIQUES CONTAINED IN THIS DRAWING ARE PROPRIETARY INFORMATION OF VALMONT INDUSTRIES AND CONSIDERED A TRADE SECRET. ANY USE OR DISCLOSURE WITHOUT THE CONSENT OF VALMONT INDUSTRIES IS STRICTLY PROHIBITED.

DESCRIPTION
 8' X 8' MODULAR EQUIPMENT PLATFORM
 WITH LARGE FOOTPADS, 1 STEP
 AND 8' COV

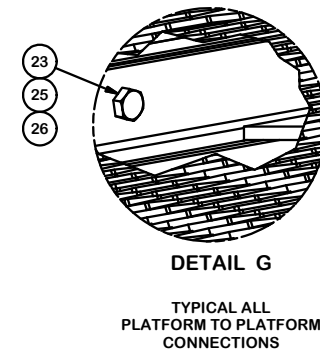
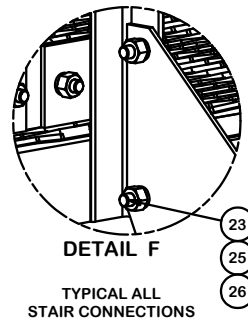
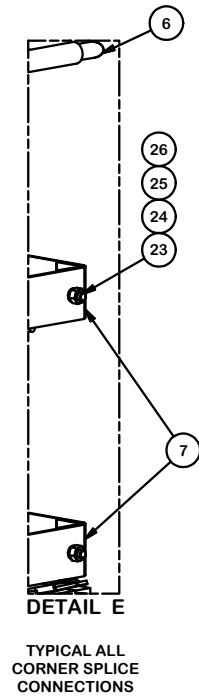
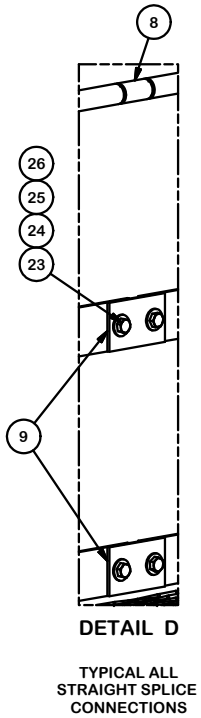
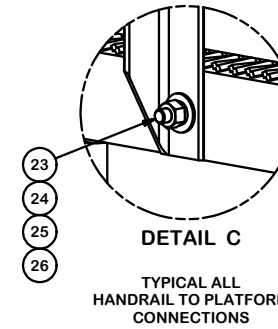
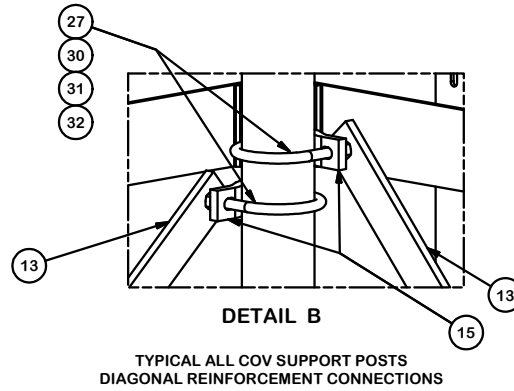
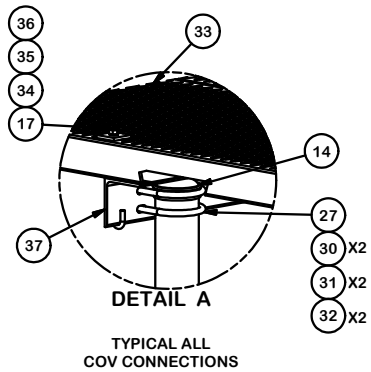
CPD NO.	DRAWN BY	ENG. APPROVAL
	CEK 12/20/2016	
CLASS	DRAWING USAGE	CHECKED BY
81	CUSTOMER	BMC 12/21/2016

SITE PRO 1
 Engineering Support Team:
 1-888-753-7446

Locations:
 New York, NY
 Atlanta, GA
 Los Angeles, CA
 Plymouth, IN
 Salem, OR
 Dallas, TX

A valmont COMPANY

PART NO.	MEP88-4LH32S1C
DWG. NO.	MEP88-4LH32S1C



TOLERANCE NOTES

TOLERANCES ON DIMENSIONS, UNLESS OTHERWISE NOTED ARE:
 SAWED, SHEARED AND GAS CUT EDGES ($\pm 0.030"$)
 DRILLED AND GAS CUT HOLES ($\pm 0.030"$) - NO CONING OF HOLES
 LASER CUT EDGES AND HOLES ($\pm 0.010"$) - NO CONING OF HOLES
 BENDS ARE $\pm 1/2$ DEGREE
 ALL OTHER MACHINING ($\pm 0.030"$)
 ALL OTHER ASSEMBLY ($\pm 0.060"$)

PROPRIETARY NOTE:
 THE DATA AND TECHNIQUES CONTAINED IN THIS DRAWING ARE PROPRIETARY INFORMATION OF VALMONT INDUSTRIES AND CONSIDERED A TRADE SECRET. ANY USE OR DISCLOSURE WITHOUT THE CONSENT OF VALMONT INDUSTRIES IS STRICTLY PROHIBITED.

DESCRIPTION
**8' X 8' MODULAR EQUIPMENT PLATFORM
 WITH LARGE FOOTPADS, 1 STEP
 AND 8' COV**

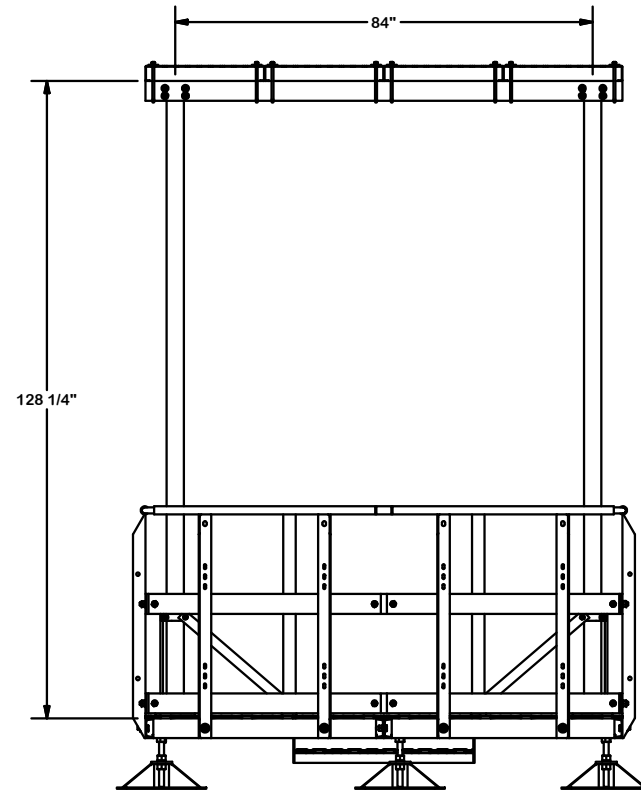
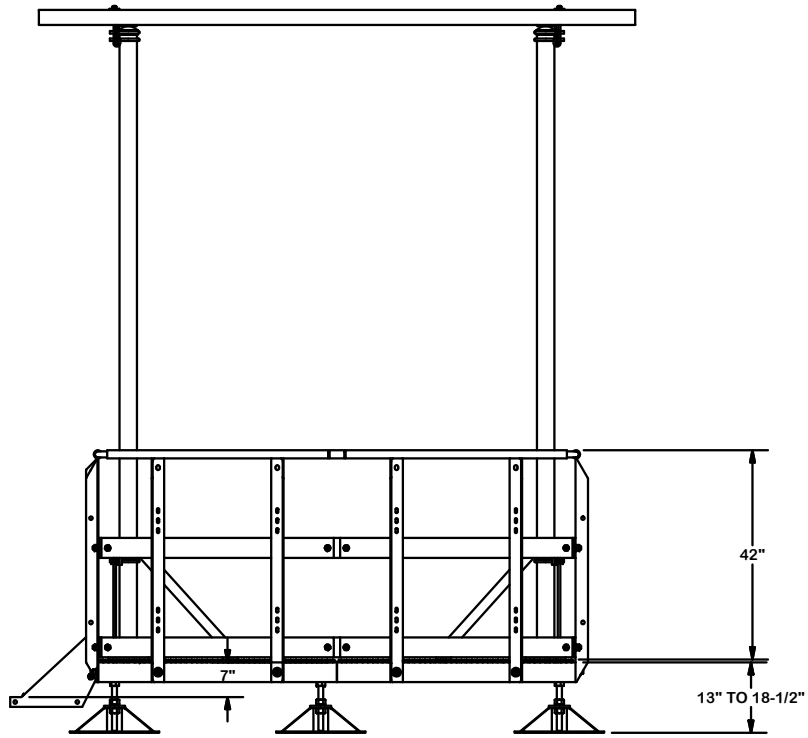


Locations:
 New York, NY
 Atlanta, GA
 Los Angeles, CA
 Plymouth, IN
 Salem, OR
 Dallas, TX

Engineering Support Team:
 1-888-753-7446

CPD NO.	DRAWN BY	ENG. APPROVAL
CLASS	DRAWING USAGE	CHECKED BY
81	CUSTOMER	BMC 12/21/2016

PART NO.	PAGE
MEP88-4LH32S1C	2 OF 4
DWG. NO.	
MEP88-4LH32S1C	



TOLERANCE NOTES

TOLERANCES ON DIMENSIONS, UNLESS OTHERWISE NOTED ARE:
 SAWED, SHEARED AND GAS CUT EDGES ($\pm 0.030"$)
 DRILLED AND GAS CUT HOLES ($\pm 0.030"$) - NO CONING OF HOLES
 LASER CUT EDGES AND HOLES ($\pm 0.010"$) - NO CONING OF HOLES
 BENDS ARE $\pm 1/2$ DEGREE
 ALL OTHER MACHINING ($\pm 0.030"$)
 ALL OTHER ASSEMBLY ($\pm 0.060"$)

PROPRIETARY NOTE:
 THE DATA AND TECHNIQUES CONTAINED IN THIS DRAWING ARE PROPRIETARY INFORMATION OF VALMONT INDUSTRIES AND CONSIDERED A TRADE SECRET. ANY USE OR DISCLOSURE WITHOUT THE CONSENT OF VALMONT INDUSTRIES IS STRICTLY PROHIBITED.

DESCRIPTION
 8' X 8' MODULAR EQUIPMENT PLATFORM
 WITH LARGE FOOTPADS, 1 STEP
 AND 8' COV

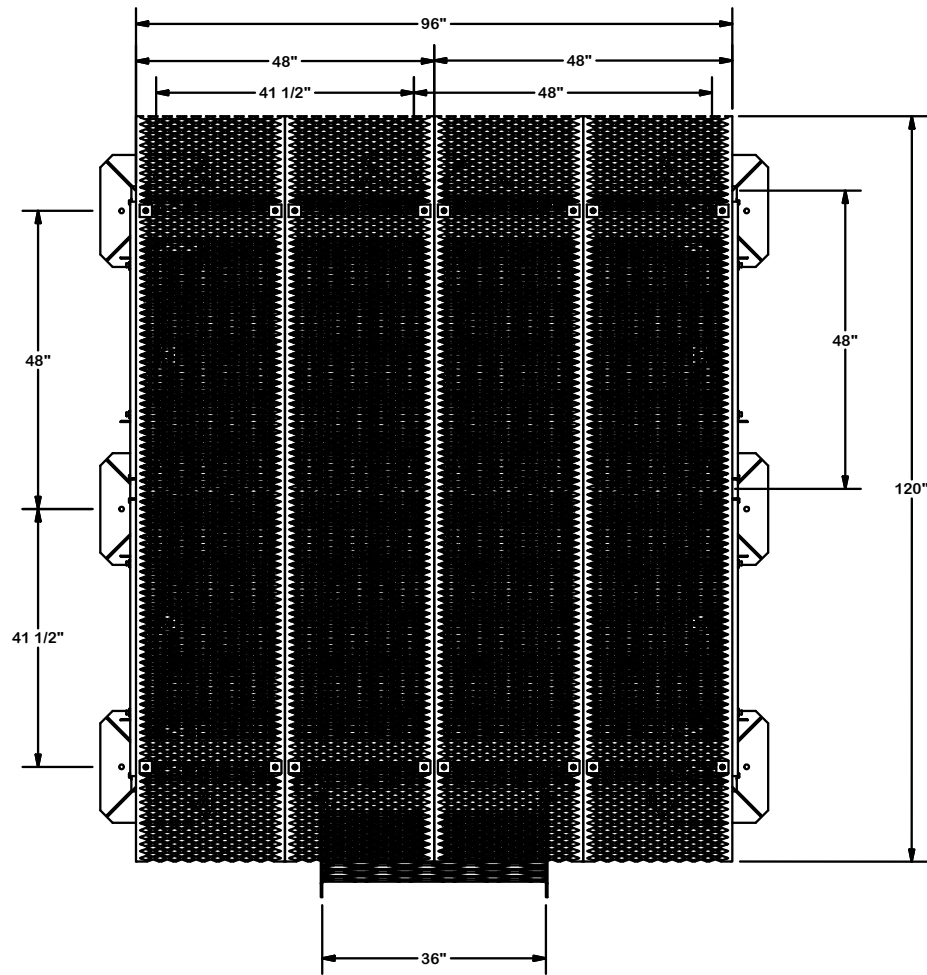


Engineering
 Support Team:
 1-888-753-7446

Locations:
 New York, NY
 Atlanta, GA
 Los Angeles, CA
 Plymouth, IN
 Salem, OR
 Dallas, TX

CPD NO.	DRAWN BY	ENG. APPROVAL
81	CEK 12/20/2016	
CLASS	DRAWING USAGE	CHECKED BY
81	CUSTOMER	BMC 12/21/2016

PART NO.	3 OF 4
MEP88-4LH32S1C	PAGE
DWG. NO.	
MEP88-4LH32S1C	



TOLERANCE NOTES

TOLERANCES ON DIMENSIONS, UNLESS OTHERWISE NOTED ARE:
 SAWED, SHEARED AND GAS CUT EDGES ($\pm 0.030"$)
 DRILLED AND GAS CUT HOLES ($\pm 0.030"$) - NO CONING OF HOLES
 LASER CUT EDGES AND HOLES ($\pm 0.010"$) - NO CONING OF HOLES
 BENDS ARE $\pm 1/2$ DEGREE
 ALL OTHER MACHINING ($\pm 0.030"$)
 ALL OTHER ASSEMBLY ($\pm 0.060"$)

PROPRIETARY NOTE:
 THE DATA AND TECHNIQUES CONTAINED IN THIS DRAWING ARE PROPRIETARY INFORMATION OF VALMONT INDUSTRIES AND CONSIDERED A TRADE SECRET. ANY USE OR DISCLOSURE WITHOUT THE CONSENT OF VALMONT INDUSTRIES IS STRICTLY PROHIBITED.

DESCRIPTION
 8' X 8' MODULAR EQUIPMENT PLATFORM
 WITH LARGE FOOTPADS, 1 STEP
 AND 8' COV



Locations:
 New York, NY
 Atlanta, GA
 Los Angeles, CA
 Plymouth, IN
 Salem, OR
 Dallas, TX
 Engineering Support Team:
 1-888-753-7446

CPD NO.	DRAWN BY CEK 12/20/2016	ENG. APPROVAL
CLASS 81	SUB 01	DRAWING USAGE CUSTOMER
CHECKED BY BMC 12/21/2016		

PART NO. MEP88-4LH32S1C	PAGE 4 OF 4
DWG. NO. MEP88-4LH32S1C	