

** FOR DETAILS, SEE PAGE 2 **

PARTS LIST						
ITEM	QTY	PART NO.	PART DESCRIPTION	LENGTH	UNIT WT.	NET WT.
1	2	X-MEP48	4' X 8' WELDED EQUIPMENT RACK BASE		377.38	754.75
2	8	G58312	5/8" x 3-1/2" HDG HEX BOLT GR5		0.40	3.20
3	68	G58134	5/8" x 1-3/4" HDG BOLT	1 3/4 in	0.27	18.28
4	66	G58FW	5/8" HDG USS FLATWASHER	1/8 in	0.07	4.65
5	80	G58LW	5/8" HDG LOCKWASHER		0.03	2.09
6	80	G58NUT	5/8" HDG HEAVY 2H HEX NUT		0.13	10.39
7	6	X-MJCP	MJACK CONNECTION PLATE	5 3/8 in	5.49	32.97
8	6	X-JACK	5,000 LB. SIDE CRANK JACK		13.37	80.20
9	6	G103	1" X 3" HEX BOLT (HDG.)	3 in	1.07	6.44
10	6	G1LW	1" LOCK WASHER		0.09	0.57
11	6	G1NUT	1" HDG HEAVY HEX NUT		0.47	2.82
12	18	G38112	3/8" x 1-1/2" HDG HEX BOLT GR5		0.07	1.28
13	14	G3803	3/8" x 3" HDG HEX BOLT GR5		0.12	1.70
14	52	G38FW	3/8" HDG USS FLATWASHER		0.01	0.61
15	32	G38LW	3/8" HDG LOCKWASHER		0.01	0.21
16	32	G38NUT	3/8" HDG HEAVY 2H HEX NUT		0.03	1.08
17	6	X-MJFP	MODULAR JACK FOOTPAD		14.35	86.08
18	1	X-MAW	MODULAR EQUIPMENT PLATFORM ACCESS WELDMENT		53.54	53.54
19	7	X-MRAIL4	4' HANDRAIL WELDMENT FOR MODULAR EQUIPMENT PLATFORM		60.49	423.40
20	4	X-MTRS	MODULAR TOP RAIL STRAIGHT SPLICE		1.88	7.51
21	8	X-MKPS	MODULAR KICKER PLATE STRAIGHT SPLICE	6 5/16 in	1.86	14.87
22	6	X-MTRC	MODULAR TOP RAIL CORNER SPLICE		1.25	7.52
23	8	X-MKPC	MODULAR KICKER PLATE CORNER SPLICE	4 in	1.66	13.25
24	1	X-MSWS	WELDED STEP FOR 1 LEVEL MODULAR STEP		52.77	52.77
25	4	X-MS3A	SIDE ANGLE FOR THREE STAIR ASSEMBLY	28 1/2 in	6.06	24.24
26	2	X-MSTEP	STAIR WELDMENT FOR MODULAR EQUIPMENT PLATFORM		37.92	75.85
27	2	X-MSHUP	HANDRAIL WELDMENT		12.25	24.49
28	2	X-MSH3	MODULAR HANDRAIL FOR THREE STAIRS		13.19	26.39
29	4	X-MSHSP	HANDRAIL SPACER PIPE	1 in	0.10	0.40
30	4	A58234	5/8" x 2-3/4" HDG A325 HEX BOLT	2 3/4 in	0.36	1.42
31	2	X-MPOST	SUPPORT POST FOR EQUIPMENT PLATFORM ICE BRIDGE KITS		92.99	185.98
32	4	G1203	1/2" x 3" HDG HEX BOLT GR5 FULL THREAD	3 in	0.22	0.87
33	16	G12FW	1/2" HDG USS FLATWASHER	3/32 in	0.03	0.55
34	24	G12LW	1/2" HDG LOCKWASHER	1/8 in	0.01	0.33
35	28	G12NUT	1/2" HDG HEAVY 2H HEX NUT		0.07	2.01
36	2	HHD24	24" UNIVERSAL CANTILEVER		14.10	28.20
37	2	PC312	3-1/2" FENCE POST CAP		0.59	1.17
38	2	X-MBPB	BACKING PLATE FOR X-MPOST	8 in	8.48	16.95
39	4	SPLICE	SPLICE FOR GRIP STRUT	7 3/8 in	0.53	2.12
40	8	X-UB1358	1/2" X 3-5/8" X 5-1/2" X 3" GALV U-BOLT		0.77	6.18
41	1	GRS24	24" X 10' GRIP SPAN BRIDGE CHANNEL		67.98	67.98
42	4	SCP	CLAMP HALF, 1/2" x 5-3/4"		1.29	5.17
43	4	SHCM-T	CHAIN MOUNT TIGHTENER BRACKET	3 in	1.84	7.36
45	4	X-232698	TRPD-HD SUPPORT PLATE - SITE PRO 1	29 1/2 in	8.72	34.89
46	4	G1202	1/2" x 2" HDG HEX BOLT GR5	2 in	0.18	0.70
47	4	X-124312	1/2" X 2" X 2" ANGLE SPACER; WITH 9/16" HOLE	2 in	0.53	2.13
					TOTAL WT. #	2095.55

TOLERANCE NOTES

TOLERANCES ON DIMENSIONS, UNLESS OTHERWISE NOTED ARE:
 SAWED, SHEARED AND GAS CUT EDGES ($\pm 0.030"$)
 DRILLED AND GAS CUT HOLES ($\pm 0.030"$) - NO CONING OF HOLES
 LASER CUT EDGES AND HOLES ($\pm 0.010"$) - NO CONING OF HOLES
 BENDS ARE $\pm 1/2$ DEGREE
 ALL OTHER MACHINING ($\pm 0.030"$)
 ALL OTHER ASSEMBLY ($\pm 0.060"$)

PROPRIETARY NOTE:
 THE DATA AND TECHNIQUES CONTAINED IN THIS DRAWING ARE PROPRIETARY INFORMATION OF VALMONT INDUSTRIES AND CONSIDERED A TRADE SECRET. ANY USE OR DISCLOSURE WITHOUT THE CONSENT OF VALMONT INDUSTRIES IS STRICTLY PROHIBITED.

DESCRIPTION
**8' X 8'
 MODULAR EQUIPMENT PLATFORM
 WITH JACK LEG AND FOOTPADS**

SITE PRO 1
 Engineering Support Team:
 1-888-753-7446

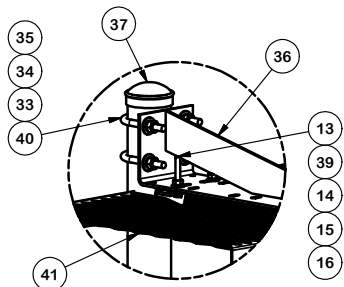
Locations:
 New York, NY
 Atlanta, GA
 Los Angeles, CA
 Plymouth, IN
 Salem, OR
 Dallas, TX

A valmont COMPANY

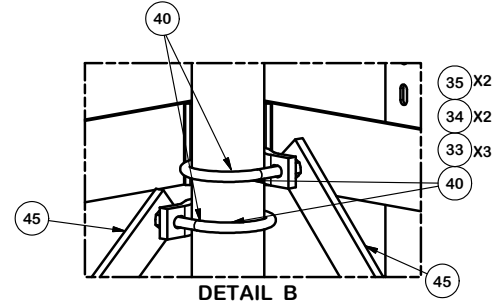
REV	DESCRIPTION OF REVISIONS	CPD	BY	DATE
B	CHANGED ICE BRIDGE STYLE		CEK	6/23/2016
A	REVISED LEG POSITION		CEK	4/11/2016
REVISION HISTORY				

CPD NO.	DRAWN BY	ENG. APPROVAL
	CEK	4/1/2016
CLASS	SUB	DRAWING USAGE
81	01	CUSTOMER
CHECKED BY	DATE	
BMC	7/15/2016	

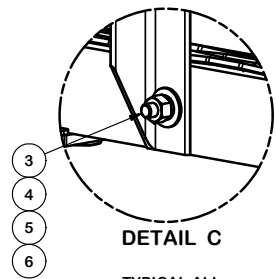
PART NO.	DWG. NO.
MEP88-8JH32S3I	MEP88-8JH32S3I



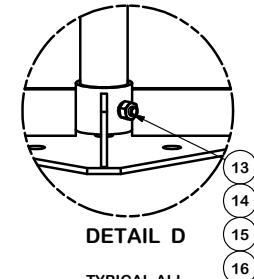
DETAIL A
TYPICAL ALL
ICEBRIDGE
CONNECTIONS



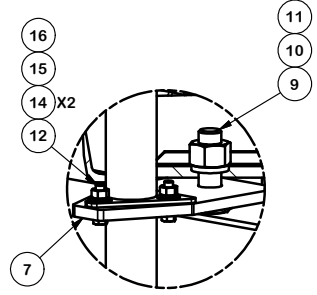
DETAIL B
TYPICAL ALL
ICEBRIDGE SUPPORT POSTS
DIAGONAL REINFORCEMENT CONNECTIONS



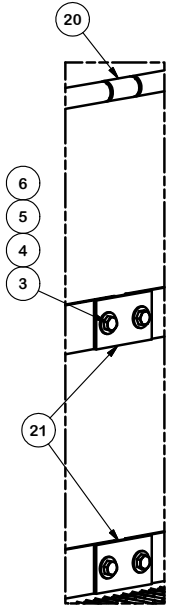
DETAIL C
TYPICAL ALL
HANDRAIL TO PLATFORM
CONNECTIONS



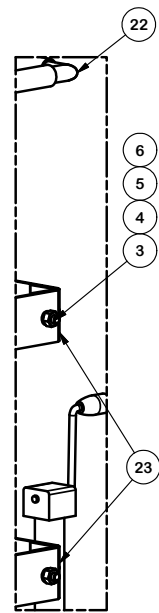
DETAIL D
TYPICAL ALL
JACK TO FOOTPAD
CONNECTIONS



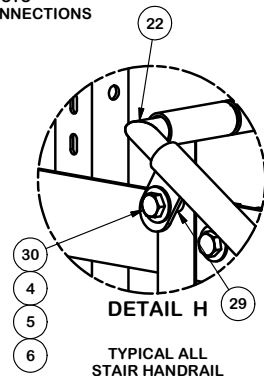
DETAIL E
TYPICAL ALL
JACK TO PLATFORM
CONNECTIONS



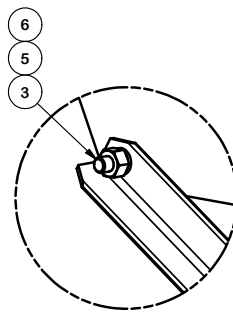
DETAIL F
TYPICAL ALL
STRAIGHT SPLICE
CONNECTIONS



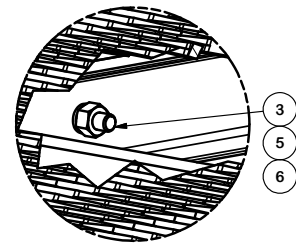
DETAIL G
TYPICAL ALL
CORNER SPLICE
CONNECTIONS



DETAIL H
TYPICAL ALL
STAIR HANDRAIL
CONNECTIONS



DETAIL I
TYPICAL ALL
STAIR CONNECTIONS



DETAIL J
TYPICAL ALL
PLATFORM TO PLATFORM
CONNECTIONS

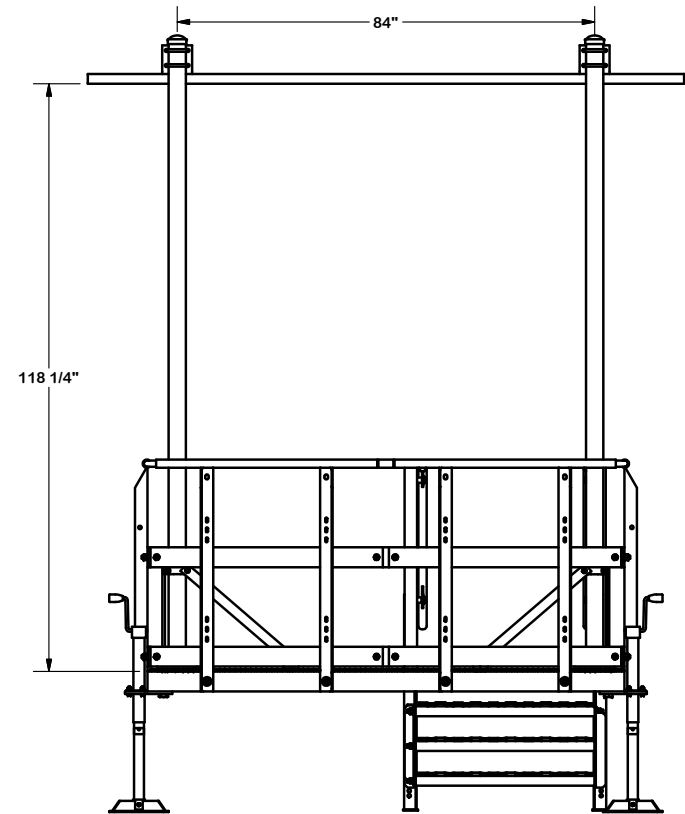
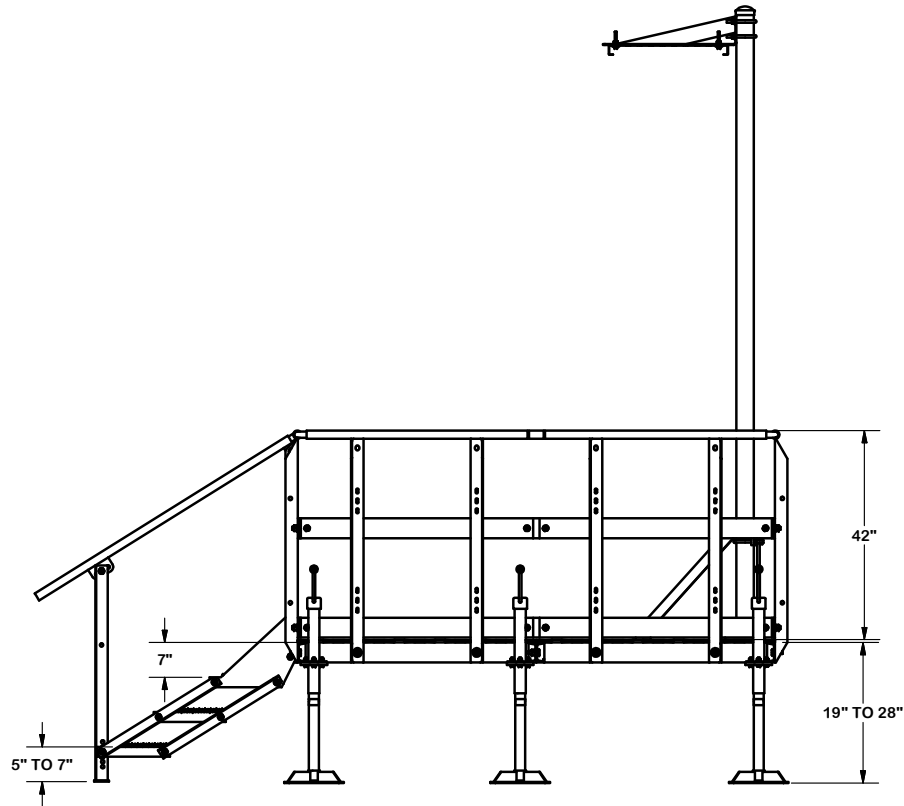
REV	DESCRIPTION OF REVISIONS	CPD	BY	DATE
B	CHANGED ICE BRIDGE STYLE		CEK	6/23/2016
A	REVISED LEG POSITION		CEK	4/11/2016
REVISION HISTORY				

TOLERANCE NOTES
TOLERANCES ON DIMENSIONS, UNLESS OTHERWISE NOTED ARE:
 SAWED, SHEARED AND GAS CUT EDGES ($\pm 0.030"$)
 DRILLED AND GAS CUT HOLES ($\pm 0.030"$) - NO CONING OF HOLES
 LASER CUT EDGES AND HOLES ($\pm 0.010"$) - NO CONING OF HOLES
 BENDS ARE $\pm 1/2$ DEGREE
 ALL OTHER MACHINING ($\pm 0.030"$)
 ALL OTHER ASSEMBLY ($\pm 0.060"$)

PROPRIETARY NOTE:
 THE DATA AND TECHNIQUES CONTAINED IN THIS DRAWING ARE PROPRIETARY INFORMATION OF VALMONT INDUSTRIES AND CONSIDERED A TRADE SECRET. ANY USE OR DISCLOSURE WITHOUT THE CONSENT OF VALMONT INDUSTRIES IS STRICTLY PROHIBITED.

DESCRIPTION		8' X 8' MODULAR EQUIPMENT PLATFORM WITH JACK LEG AND FOOTPADS	
CPD NO.	DRAWN BY	ENG. APPROVAL	
	CEK	4/1/2016	
CLASS	DRAWING USAGE	CHECKED BY	
81	01	CUSTOMER	BMC 7/15/2016

 A valmont COMPANY	Locations: New York, NY Atlanta, GA Los Angeles, CA Plymouth, IN Salem, OR Dallas, TX	
	Engineering Support Team: 1-888-753-7446	
PART NO.	MEP88-8JH32S3I	2 OF 4 PAGE
DWG. NO.	MEP88-8JH32S3I	




REV	DESCRIPTION OF REVISIONS	CPD	BY	DATE
B	CHANGED ICE BRIDGE STYLE		CEK	6/23/2016
A	REVISED LEG POSITION		CEK	4/11/2016
REVISION HISTORY				

TOLERANCE NOTES

TOLERANCES ON DIMENSIONS, UNLESS OTHERWISE NOTED ARE:
 SAWED, SHEARED AND GAS CUT EDGES ($\pm 0.030"$)
 DRILLED AND GAS CUT HOLES ($\pm 0.030"$) - NO CONING OF HOLES
 LASER CUT EDGES AND HOLES ($\pm 0.010"$) - NO CONING OF HOLES
 BENDS ARE $\pm 1/2$ DEGREE
 ALL OTHER MACHINING ($\pm 0.030"$)
 ALL OTHER ASSEMBLY ($\pm 0.060"$)

PROPRIETARY NOTE:
 THE DATA AND TECHNIQUES CONTAINED IN THIS DRAWING ARE PROPRIETARY INFORMATION OF VALMONT INDUSTRIES AND CONSIDERED A TRADE SECRET. ANY USE OR DISCLOSURE WITHOUT THE CONSENT OF VALMONT INDUSTRIES IS STRICTLY PROHIBITED.

DESCRIPTION		DRAWING USAGE		ENG. APPROVAL
8' X 8' MODULAR EQUIPMENT PLATFORM WITH JACK LEG AND FOOTPADS		CLASS	SUB	CHECKED BY
		81	01	BMC 7/15/2016
CPD NO.	DRAWN BY	PART NO.		
	CEK 4/1/2016	MEP88-8JH32S3I		

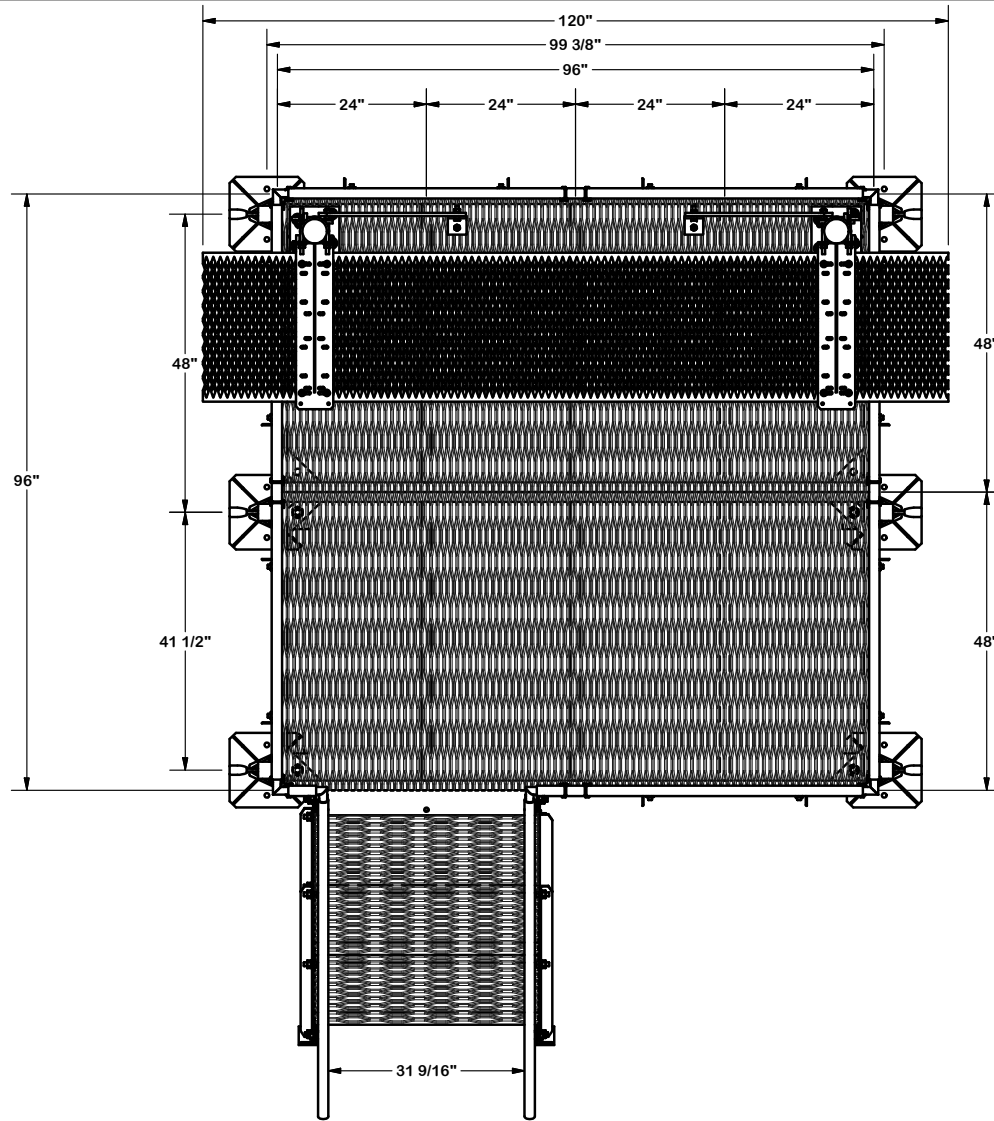


A valmont COMPANY

Locations:
 New York, NY
 Atlanta, GA
 Los Angeles, CA
 Plymouth, IN
 Salem, OR
 Dallas, TX

Engineering
 Support Team:
 1-888-753-7446

DWG. NO.	PART NO.
MEP88-8JH32S3I	MEP88-8JH32S3I



TOLERANCE NOTES

TOLERANCES ON DIMENSIONS, UNLESS OTHERWISE NOTED ARE:
 SAWED, SHEARED AND GAS CUT EDGES ($\pm 0.030"$)
 DRILLED AND GAS CUT HOLES ($\pm 0.030"$) - NO CONING OF HOLES
 LASER CUT EDGES AND HOLES ($\pm 0.010"$) - NO CONING OF HOLES
 BENDS ARE $\pm 1/2$ DEGREE
 ALL OTHER MACHINING ($\pm 0.030"$)
 ALL OTHER ASSEMBLY ($\pm 0.060"$)

PROPRIETARY NOTE:
 THE DATA AND TECHNIQUES CONTAINED IN THIS DRAWING ARE PROPRIETARY INFORMATION OF VALMONT INDUSTRIES AND CONSIDERED A TRADE SECRET. ANY USE OR DISCLOSURE WITHOUT THE CONSENT OF VALMONT INDUSTRIES IS STRICTLY PROHIBITED.

DESCRIPTION

8' X 8'
 MODULAR EQUIPMENT PLATFORM
 WITH JACK LEG AND FOOTPADS



A valmont COMPANY

Engineering Support Team:
 1-888-753-7446

Locations:
 New York, NY
 Atlanta, GA
 Los Angeles, CA
 Plymouth, IN
 Salem, OR
 Dallas, TX

B	CHANGED ICE BRIDGE STYLE		CEK	6/23/2016
A	REVISED LEG POSITION		CEK	4/11/2016
REV	DESCRIPTION OF REVISIONS	CPD	BY	DATE
REVISION HISTORY				

CPD NO.	DRAWN BY	ENG. APPROVAL
	CEK	4/1/2016
CLASS	DRAWING USAGE	CHECKED BY
81	CUSTOMER	BMC 7/15/2016

PART NO.	MEP88-8JH32S3I
DWG. NO.	MEP88-8JH32S3I