

** FOR DETAILS, SEE PAGE 2 **

PARTS LIST						
ITEM	QTY	PART NO.	PART DESCRIPTION	LENGTH	UNIT WT.	NET WT.
1	2	X-MEP48	4' X 8' WELDED EQUIPMENT RACK BASE		377.38	754.75
2	6	X-MPADS	1' SQUARE MODULAR PLATFORM FOOTPAD		17.50	105.02
3	1	X-MAW	MODULAR EQUIPMENT PLATFORM ACCESS WELDMENT		53.54	53.54
4	7	X-MRAIL4	4' HANDRAIL WELDMENT FOR MODULAR EQUIPMENT PLATFORM		60.49	423.40
5	4	X-MTRC	MODULAR TOP RAIL CORNER SPLICE		1.25	5.02
6	8	X-MKPC	MODULAR KICKER PLATE CORNER SPLICE	4 in	1.66	13.25
7	4	X-MTRS	MODULAR TOP RAIL STRAIGHT SPLICE		1.88	7.51
8	8	X-MKPS	MODULAR KICKER PLATE STRAIGHT SPLICE	6 5/16 in	1.86	14.87
9	1	X-MSWS	WELDED STEP FOR 1 LEVEL MODULAR STEP		52.77	52.77
10	2	X-MPOST	SUPPORT POST FOR EQUIPMENT PLATFORM ICE BRIDGE KITS		92.99	185.98
11	2	X-MBPB	BACKING PLATE FOR X-MPOST	8 in	8.48	16.95
12	4	X-232698	TRPD-HD SUPPORT PLATE - SITE PRO 1	29 1/2 in	8.72	34.89
13	2	PC312	3-1/2" FENCE POST CAP		0.59	1.17
14	4	SPLICE	SPLICE FOR GRIP STRUT	7 3/8 in	0.53	2.12
15	4	SCP	CLAMP HALF, 1/2" x 5-3/4"		1.29	5.17
16	4	SHCM-T	CHAIN MOUNT TIGHTENER BRACKET	3 in	1.84	7.36
17	4	X-124312	1/2" X 2" X 2" ANGLE SPACER, WITH 9/16" HOLE	2 in	0.53	2.13
18	2	HHD24	24" UNIVERSAL CANTILEVER		14.10	28.20
19	1	GRS24	24" X 10' GRIP SPAN BRIDGE CHANNEL		67.98	67.98
20	6	G1R-12	1" x 12" THREADED ROD (HDG.)	12 in	2.68	16.06
21	12	G1LW	1" LOCK WASHER		0.09	1.13
22	24	G1NUT	1" HDG HEAVY HEX NUT		0.47	11.29
23	8	G58312	5/8" x 3-1/2" HDG HEX BOLT GR5		0.40	3.20
24	56	G58134	5/8" x 1-3/4" HDG BOLT	1 3/4 in	0.27	15.06
25	62	G58FW	5/8" HDG USS FLATWASHER	1/8 in	0.07	4.37
26	64	G58LW	5/8" HDG LOCKWASHER		0.03	1.67
27	64	G58NUT	5/8" HDG HEAVY 2H HEX NUT		0.13	8.31
28	8	X-UB1358	1/2" X 3-5/8" X 5-1/2" X 3" GALV U-BOLT		0.77	6.18
30	4	G1203	1/2" x 3" HDG HEX BOLT GR5 FULL THREAD	3 in	0.22	0.87
31	4	G1202	1/2" x 2" HDG HEX BOLT GR5	2 in	0.18	0.70
32	16	G12FW	1/2" HDG USS FLATWASHER	3/32 in	0.03	0.55
33	24	G12LW	1/2" HDG LOCKWASHER	1/8 in	0.01	0.33
34	28	G12NUT	1/2" HDG HEAVY 2H HEX NUT		0.07	2.01
35	8	G3803	3/8" x 3" HDG HEX BOLT GR5		0.12	0.97
36	16	G38FW	3/8" HDG USS FLATWASHER		0.01	0.19
37	8	G38LW	3/8" HDG LOCKWASHER		0.01	0.05
38	8	G38NUT	3/8" HDG HEAVY 2H HEX NUT		0.03	0.27
					TOTAL WT. #	1855.29

TOLERANCE NOTES

TOLERANCES ON DIMENSIONS, UNLESS OTHERWISE NOTED ARE:
 SAWED, SHEARED AND GAS CUT EDGES ($\pm 0.030"$)
 DRILLED AND GAS CUT HOLES ($\pm 0.030"$) - NO CONING OF HOLES
 LASER CUT EDGES AND HOLES ($\pm 0.010"$) - NO CONING OF HOLES
 BENDS ARE $\pm 1/2$ DEGREE
 ALL OTHER MACHINING ($\pm 0.030"$)
 ALL OTHER ASSEMBLY ($\pm 0.060"$)

PROPRIETARY NOTE:
 THE DATA AND TECHNIQUES CONTAINED IN THIS DRAWING ARE PROPRIETARY INFORMATION OF VALMONT INDUSTRIES AND CONSIDERED A TRADE SECRET. ANY USE OR DISCLOSURE WITHOUT THE CONSENT OF VALMONT INDUSTRIES IS STRICTLY PROHIBITED.

DESCRIPTION
 8' X 8' MODULAR EQUIPMENT PLATFORM
 WITH SMALL FOOTPADS, 1 STEP
 AND 10' ICE BRIDGE

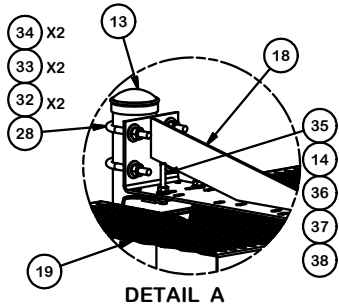
SITE PRO 1
 Engineering Support Team:
 1-888-753-7446

Locations:
 New York, NY
 Atlanta, GA
 Los Angeles, CA
 Plymouth, IN
 Salem, OR
 Dallas, TX

A valmont COMPANY

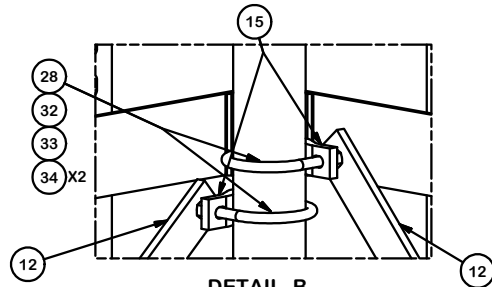
CPD NO.	DRAWN BY	ENG. APPROVAL
	CEK 11/29/2016	
CLASS	DRAWING USAGE	CHECKED BY
81	CUSTOMER	BMC 11/30/2016

PART NO.	1 OF 4
MEP88-8SH32S11	
DWG. NO.	
MEP88-8SH32S11	



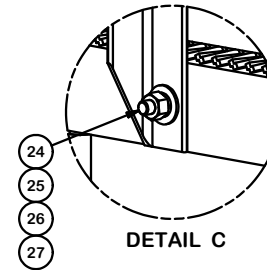
DETAIL A

TYPICAL ALL
ICEBRIDGE
CONNECTIONS



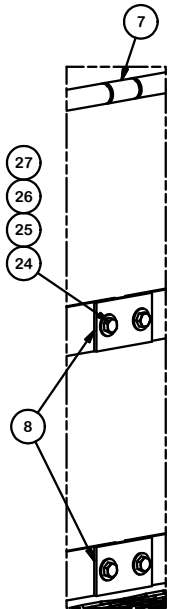
DETAIL B

TYPICAL ALL
ICEBRIDGE SUPPORT POSTS
DIAGONAL REINFORCEMENT CONNECTIONS



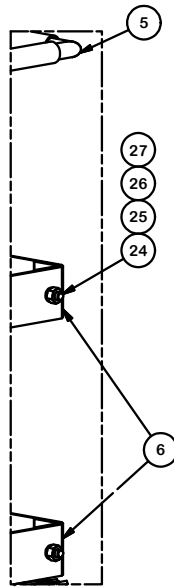
DETAIL C

TYPICAL ALL
HANDRAIL TO PLATFORM
CONNECTIONS



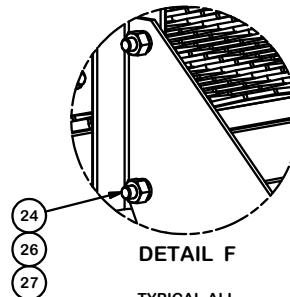
DETAIL D

TYPICAL ALL
STRAIGHT SPLICE
CONNECTIONS



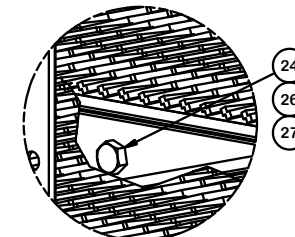
DETAIL E

TYPICAL ALL
CORNER SPLICE
CONNECTIONS



DETAIL F

TYPICAL ALL
STAIR HANDRAIL
CONNECTIONS



DETAIL G

TYPICAL ALL
PLATFORM TO PLATFORM
CONNECTIONS

TOLERANCE NOTES

TOLERANCES ON DIMENSIONS, UNLESS OTHERWISE NOTED ARE:
 SAWED, SHEARED AND GAS CUT EDGES ($\pm 0.030"$)
 DRILLED AND GAS CUT HOLES ($\pm 0.030"$) - NO CONING OF HOLES
 LASER CUT EDGES AND HOLES ($\pm 0.010"$) - NO CONING OF HOLES
 BENDS ARE $\pm 1/2$ DEGREE
 ALL OTHER MACHINING ($\pm 0.030"$)
 ALL OTHER ASSEMBLY ($\pm 0.060"$)

PROPRIETARY NOTE:
 THE DATA AND TECHNIQUES CONTAINED IN THIS DRAWING ARE PROPRIETARY INFORMATION OF VALMONT
 INDUSTRIES AND CONSIDERED A TRADE SECRET. ANY USE OR DISCLOSURE WITHOUT THE CONSENT OF
 VALMONT INDUSTRIES IS STRICTLY PROHIBITED.

DESCRIPTION
 8' X 8' MODULAR EQUIPMENT PLATFORM
 WITH SMALL FOOTPADS, 1 STEP
 AND 10' ICE BRIDGE

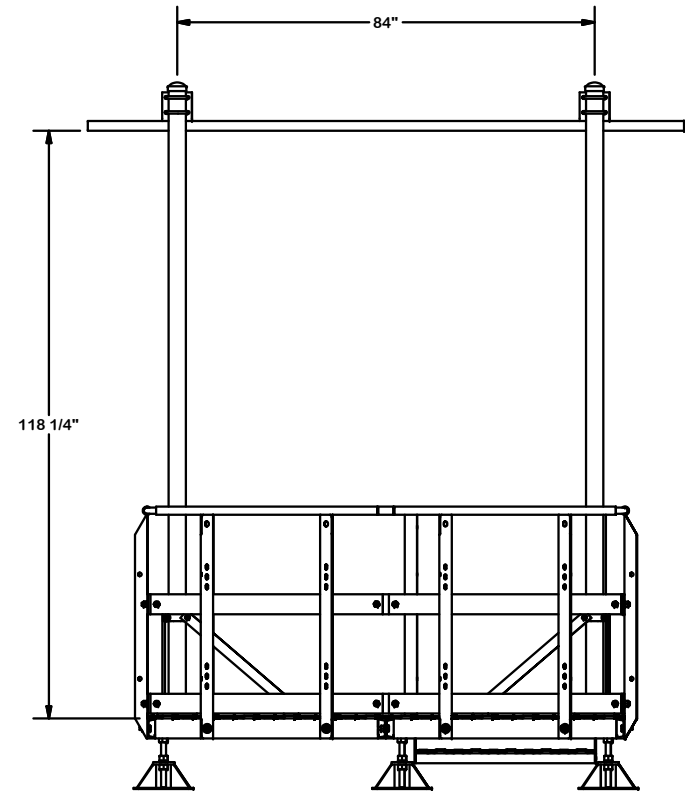
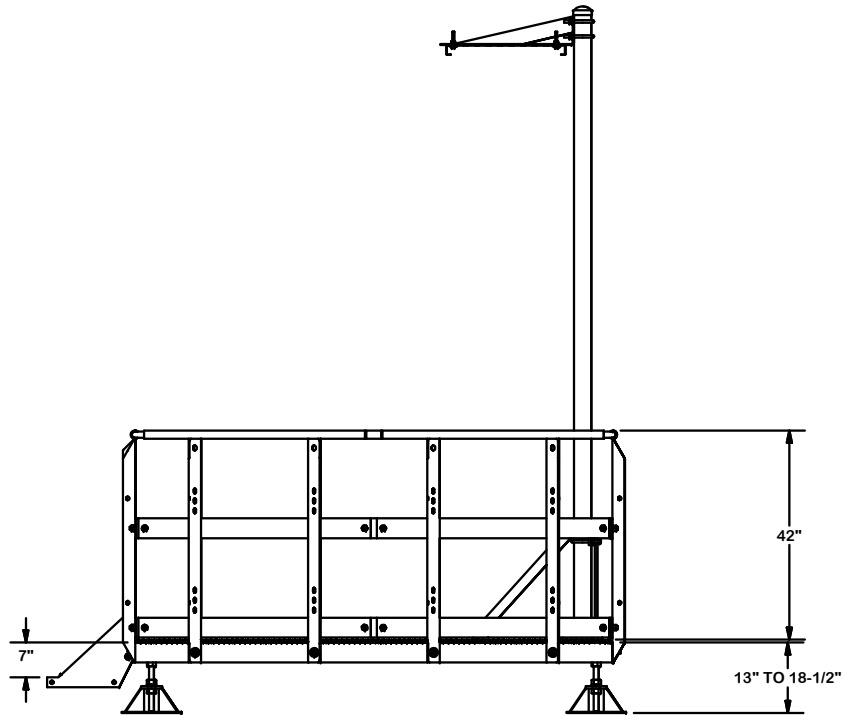


Engineering
 Support Team:
 1-888-753-7446

Locations:
 New York, NY
 Atlanta, GA
 Los Angeles, CA
 Plymouth, IN
 Salem, OR
 Dallas, TX

CPD NO.	DRAWN BY CEK 11/29/2016	ENG. APPROVAL
CLASS 81	SUB 02	DRAWING USAGE CUSTOMER
	CHECKED BY BMC 11/30/2016	

PART NO. MEP88-8SH32S11	PAGE 2 OF 4
DWG. NO. MEP88-8SH32S11	



TOLERANCE NOTES

TOLERANCES ON DIMENSIONS, UNLESS OTHERWISE NOTED ARE:
 SAWED, SHEARED AND GAS CUT EDGES ($\pm 0.030"$)
 DRILLED AND GAS CUT HOLES ($\pm 0.030"$) - NO CONING OF HOLES
 LASER CUT EDGES AND HOLES ($\pm 0.010"$) - NO CONING OF HOLES
 BENDS ARE $\pm 1/2$ DEGREE
 ALL OTHER MACHINING ($\pm 0.030"$)
 ALL OTHER ASSEMBLY ($\pm 0.060"$)

PROPRIETARY NOTE:
 THE DATA AND TECHNIQUES CONTAINED IN THIS DRAWING ARE PROPRIETARY INFORMATION OF VALMONT INDUSTRIES AND CONSIDERED A TRADE SECRET. ANY USE OR DISCLOSURE WITHOUT THE CONSENT OF VALMONT INDUSTRIES IS STRICTLY PROHIBITED.

DESCRIPTION
 8' X 8' MODULAR EQUIPMENT PLATFORM
 WITH SMALL FOOTPADS, 1 STEP
 AND 10' ICE BRIDGE

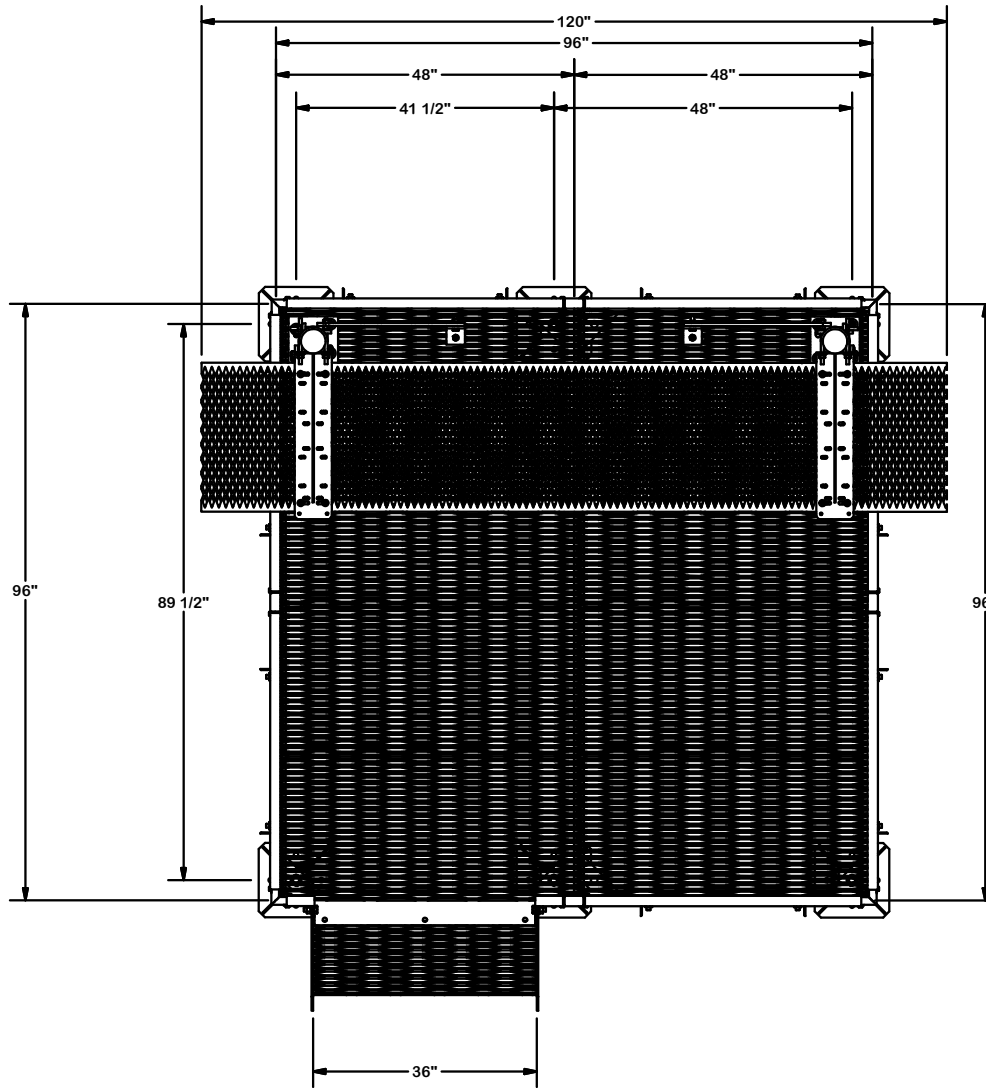


Engineering Support Team:
 1-888-753-7446

Locations:
 New York, NY
 Atlanta, GA
 Los Angeles, CA
 Plymouth, IN
 Salem, OR
 Dallas, TX

CPD NO.	DRAWN BY CEK 11/29/2016	ENG. APPROVAL
CLASS 81	SUB 02	DRAWING USAGE CUSTOMER
	CHECKED BY BMC 11/30/2016	

PART NO. MEP88-8SH32S11
DWG. NO. MEP88-8SH32S11



TOLERANCE NOTES

TOLERANCES ON DIMENSIONS, UNLESS OTHERWISE NOTED ARE:
 SAWED, SHEARED AND GAS CUT EDGES ($\pm 0.030"$)
 DRILLED AND GAS CUT HOLES ($\pm 0.030"$) - NO CONING OF HOLES
 LASER CUT EDGES AND HOLES ($\pm 0.010"$) - NO CONING OF HOLES
 BENDS ARE $\pm 1/2$ DEGREE
 ALL OTHER MACHINING ($\pm 0.030"$)
 ALL OTHER ASSEMBLY ($\pm 0.060"$)

PROPRIETARY NOTE:
 THE DATA AND TECHNIQUES CONTAINED IN THIS DRAWING ARE PROPRIETARY INFORMATION OF VALMONT INDUSTRIES AND CONSIDERED A TRADE SECRET. ANY USE OR DISCLOSURE WITHOUT THE CONSENT OF VALMONT INDUSTRIES IS STRICTLY PROHIBITED.

DESCRIPTION
 8' X 8' MODULAR EQUIPMENT PLATFORM
 WITH SMALL FOOTPADS, 1 STEP
 AND 10' ICE BRIDGE



Locations:
 New York, NY
 Atlanta, GA
 Los Angeles, CA
 Plymouth, IN
 Salem, OR
 Dallas, TX
 Engineering Support Team:
 1-888-753-7446

CPD NO.	DRAWN BY CEK 11/29/2016	ENG. APPROVAL
CLASS 81	SUB 02	DRAWING USAGE CUSTOMER
	CHECKED BY BMC 11/30/2016	

PART NO. MEP88-8SH32S11	PAGE 4 OF 4
DWG. NO. MEP88-8SH32S11	