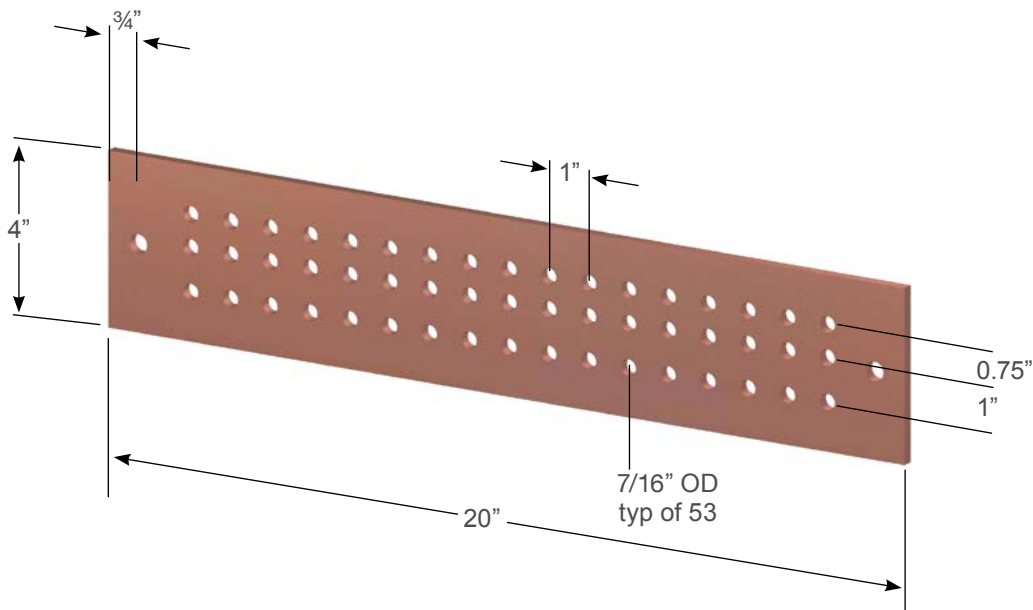


MAX 20" Ground Bar (MG42051)



Features:

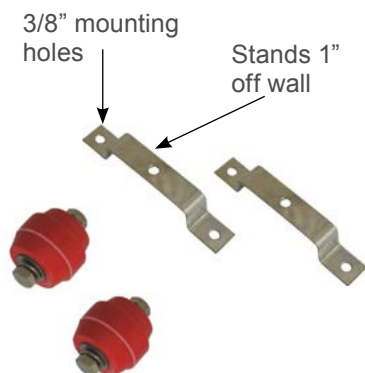
- The MAX 20" offers universal hole spacing for 3/8" lugs
- 51 holes allow up to 17 runs with two-hole lugs.
- Universal hole pattern can accept two-hole lugs with 0.750", 0.815", or 1" spacing
- MG42051 is ground bar only; MG42051-K kit includes ground bar, stainless steel mounting brackets, and insulators

Construction:

- Constructed from 1/4" x 4" x 20" C110 copper
- Sanded after manufacture

Design Criteria:

- Can be used outdoors or indoors
- Options include mounting hardware and tin plating



Kits include:

- Complete kits include 304 stainless steel mounting brackets and insulators rated 600 Volts