

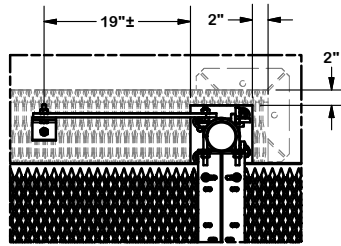
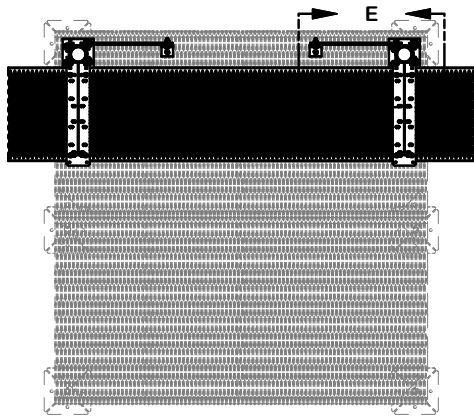
| PARTS LIST | | | | | | |
|--------------------|-----|----------|---|-----------|---------------|---------|
| ITEM | QTY | PART NO. | PART DESCRIPTION | LENGTH | UNIT WT. | NET WT. |
| 1 | 2 | X-MPOST | SUPPORT POST FOR EQUIPMENT PLATFORM ICE BRIDGE KITS | | 92.99 | 185.98 |
| 2 | 1 | GRS24 | 24" X 10' GRIP SPAN BRIDGE CHANNEL | | 67.98 | 67.98 |
| 3 | 2 | HHD24 | 24" UNIVERSAL CANTILEVER | | 14.10 | 28.20 |
| 4 | 4 | X-232698 | TRPD-HD SUPPORT PLATE - SITE PRO 1 | 29 1/2 in | 8.72 | 34.89 |
| 5 | 2 | X-MBP | BACKING PLATE FOR X-MPOST | 8 in | 8.48 | 16.95 |
| 6 | 4 | SHCM-T | CHAIN MOUNT TIGHTENER BRACKET | 3 in | 1.84 | 7.36 |
| 7 | 4 | SCP | CLAMP HALF, 1/2" x 5-3/4" | | 1.29 | 5.17 |
| 8 | 2 | PC312 | 3-1/2" FENCE POST CAP | | 0.59 | 1.17 |
| 9 | 4 | SPLICE | SPLICE FOR GRIP STRUT | 7 3/8 in | 0.53 | 2.12 |
| 10 | 4 | X-124312 | 1/2" X 2" X 2" ANGLE SPACER; WITH 9/16" HOLE | 2 in | 0.53 | 2.13 |
| 11 | 8 | X-UB1358 | 1/2" X 3-5/8" X 5-1/2" X 3" GALV U-BOLT | | 0.77 | 6.18 |
| 12 | 8 | G58312 | 5/8" X 3-1/2" HDG HEX BOLT GR5 | | 0.40 | 3.20 |
| 13 | 16 | G58FW | 5/8" HDG USS FLATWASHER | 1/8 in | 0.07 | 1.13 |
| 14 | 8 | G58LW | 5/8" HDG LOCKWASHER | | 0.03 | 0.21 |
| 15 | 8 | G58NUT | 5/8" HDG HEAVY 2H HEX NUT | | 0.13 | 1.04 |
| 17 | 4 | G1203 | 1/2" X 3" HDG HEX BOLT GR5 FULL THREAD | 3 in | 0.22 | 0.87 |
| 18 | 4 | G1202 | 1/2" X 2" HDG HEX BOLT GR5 | 2 in | 0.18 | 0.70 |
| 19 | 16 | G12FW | 1/2" HDG USS FLATWASHER | 3/32 in | 0.03 | 0.55 |
| 20 | 24 | G12LW | 1/2" HDG LOCKWASHER | 1/8 in | 0.01 | 0.33 |
| 21 | 28 | G12NUT | 1/2" HDG HEAVY 2H HEX NUT | | 0.07 | 2.01 |
| 22 | 8 | G3803 | 3/8" X 3" HDG HEX BOLT GR5 | | 0.12 | 0.97 |
| 23 | 16 | G38FW | 3/8" HDG USS FLATWASHER | | 0.01 | 0.19 |
| 24 | 8 | G38LW | 3/8" HDG LOCKWASHER | | 0.01 | 0.05 |
| 25 | 8 | G38NUT | 3/8" HDG HEAVY 2H HEX NUT | | 0.03 | 0.27 |
| TOTAL WT. # | | | | | 375.28 | |

TOLERANCE NOTES
 TOLERANCES ON DIMENSIONS, UNLESS OTHERWISE NOTED ARE:
 SAWED, SHEARED AND GAS CUT EDGES ($\pm 0.030"$)
 DRILLED AND GAS CUT HOLES ($\pm 0.030"$) - NO CONING OF HOLES
 LASER CUT EDGES AND HOLES ($\pm 0.010"$) - NO CONING OF HOLES
 BENDS ARE $\pm 1/2$ DEGREE
 ALL OTHER MACHINING ($\pm 0.030"$)
 ALL OTHER ASSEMBLY ($\pm 0.060"$)

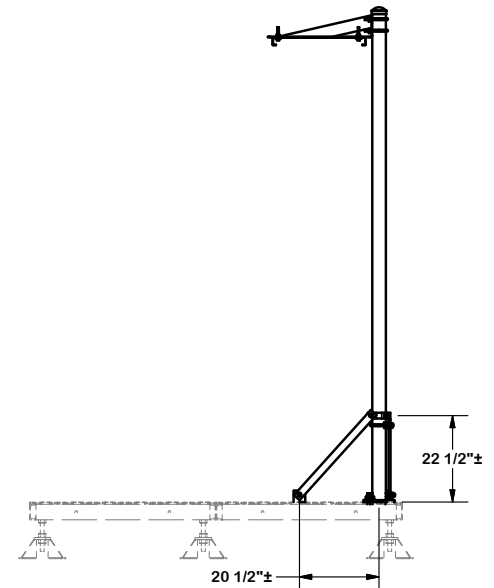
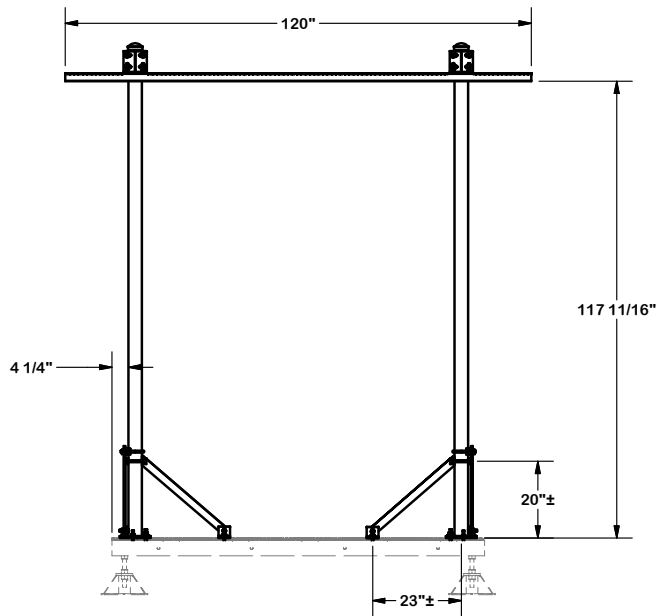
PROPRIETARY NOTE:
 THE DATA AND TECHNIQUES CONTAINED IN THIS DRAWING ARE PROPRIETARY INFORMATION OF VALMONT INDUSTRIES AND CONSIDERED A TRADE SECRET. ANY USE OR DISCLOSURE WITHOUT THE CONSENT OF VALMONT INDUSTRIES IS STRICTLY PROHIBITED.

| | | |
|--|---------------------------|-----------------------------|
| DESCRIPTION 24" X 10' ICE BRIDGE FOR MODULAR PLATFORM PIPE LEGS | | |
| CPD NO. | DRAWN BY CEK 6/22/2016 | ENG. APPROVAL |
| CLASS 81 | SUB 01 | DRAWING USAGE CUSTOMER |
| | | CHECKED BY BMC 7/15/2016 |

| | |
|-----------------------|---|
| A valmont COMPANY | Locations: New York, NY Atlanta, GA Los Angeles, CA Plymouth, IN Salem, OR Dallas, TX |
| | Engineering Support Team: 1-888-753-7446 |
| PART NO. | MIBP-2410 |
| DWG. NO. | MIBP-2410 |



DETAIL E



TOLERANCE NOTES

TOLERANCES ON DIMENSIONS, UNLESS OTHERWISE NOTED ARE:
 SAWED, SHEARED AND GAS CUT EDGES (± 0.030 "")
 DRILLED AND GAS CUT HOLES (± 0.030 "") - NO CONING OF HOLES
 LASER CUT EDGES AND HOLES (± 0.010 "") - NO CONING OF HOLES
 BENDS ARE $\pm 1/2$ DEGREE
 ALL OTHER MACHINING (± 0.030 "")
 ALL OTHER ASSEMBLY (± 0.060 "")

PROPRIETARY NOTE:
 THE DATA AND TECHNIQUES CONTAINED IN THIS DRAWING ARE PROPRIETARY INFORMATION OF VALMONT INDUSTRIES AND CONSIDERED A TRADE SECRET. ANY USE OR DISCLOSURE WITHOUT THE CONSENT OF VALMONT INDUSTRIES IS STRICTLY PROHIBITED.

DESCRIPTION
 24" X 10' ICE BRIDGE
 FOR MODULAR PLATFORM
 PIPE LEGS

SITE PRO 1
 A valmont COMPANY
 Engineering Support Team:
 1-888-753-7446
 Locations:
 New York, NY
 Atlanta, GA
 Los Angeles, CA
 Plymouth, IN
 Salem, OR
 Dallas, TX

| | | |
|---------|---------------|---------------|
| CPD NO. | DRAWN BY | ENG. APPROVAL |
| CLASS | DRAWING USAGE | CHECKED BY |
| 81 | 01 | CUSTOMER |
| | | BMC 7/15/2016 |

| | |
|----------|-----------|
| PART NO. | MIBP-2410 |
| DWG. NO. | MIBP-2410 |