

THIS LOCKWASHER TO BE USED AS A SPACER BETWEEN X-MJCP AND PLATFORM

PARTS LIST						
ITEM	QTY	PART NO.	PART DESCRIPTION	LENGTH	UNIT WT.	NET WT.
1	1	X-JACK	5,000 LB. SIDE CRANK JACK		13.37	13.37
2	1	X-MJFP	MODULAR JACK FOOTPAD		14.35	14.35
3	1	X-MJCP	MJACK CONNECTION PLATE	5 3/8 in	5.49	5.49
4	1	G103	1" X 3" HEX BOLT (HDG.)	3 in	1.07	1.07
5	2	G1LW	1" LOCK WASHER		0.09	0.19
6	1	G1NUT	1" HDG HEAVY HEX NUT		0.47	0.47
7	1	G3803	3/8" x 3" HDG HEX BOLT GR5		0.12	0.12
8	3	G38112	3/8" x 1-1/2" HDG HEX BOLT GR5		0.07	0.21
9	6	G38FW	3/8" HDG USS FLATWASHER		0.01	0.07
10	4	G38LW	3/8" HDG LOCKWASHER		0.01	0.03
11	4	G38NUT	3/8" HDG HEAVY 2H HEX NUT		0.03	0.14
					TOTAL WT. #	35.51

**TOLERANCE NOTES**

TOLERANCES ON DIMENSIONS, UNLESS OTHERWISE NOTED ARE:  
 SAWED, SHEARED AND GAS CUT EDGES ( $\pm 0.030"$ )  
 DRILLED AND GAS CUT HOLES ( $\pm 0.030"$ ) - NO CONING OF HOLES  
 LASER CUT EDGES AND HOLES ( $\pm 0.010"$ ) - NO CONING OF HOLES  
 BENDS ARE  $\pm 1/2$  DEGREE  
 ALL OTHER MACHINING ( $\pm 0.030"$ )  
 ALL OTHER ASSEMBLY ( $\pm 0.060"$ )

PROPRIETARY NOTE:  
 THE DATA AND TECHNIQUES CONTAINED IN THIS DRAWING ARE PROPRIETARY INFORMATION OF VALMONT INDUSTRIES AND CONSIDERED A TRADE SECRET. ANY USE OR DISCLOSURE WITHOUT THE CONSENT OF VALMONT INDUSTRIES IS STRICTLY PROHIBITED.

DESCRIPTION  
 MODULAR JACK LEG  
 WITH 12" SQUARE FOOTPAD

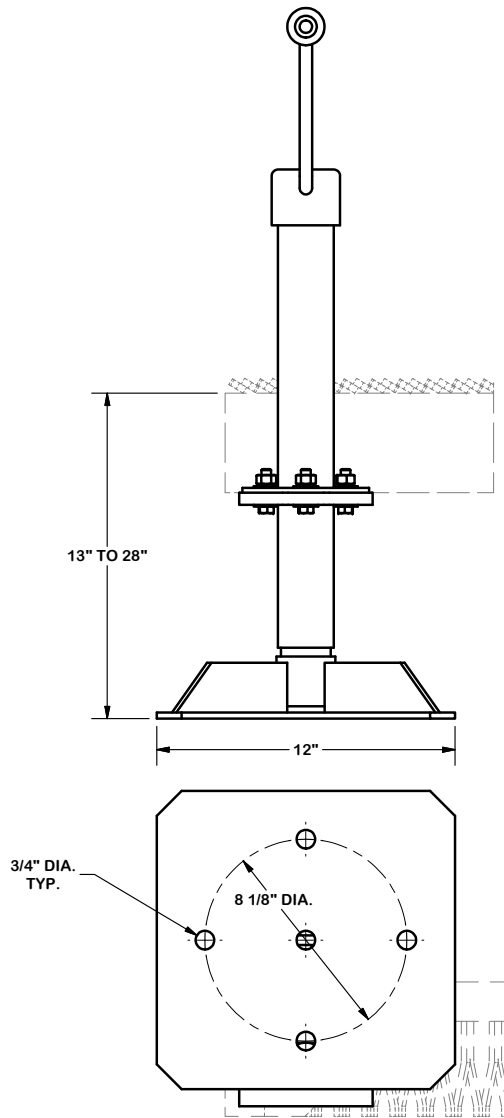
**SITE PRO 1**  
 Engineering Support Team:  
 1-888-753-7446

Locations:  
 New York, NY  
 Atlanta, GA  
 Los Angeles, CA  
 Plymouth, IN  
 Salem, OR  
 Dallas, TX

A valmont COMPANY

CPD NO.	DRAWN BY CEK	ENG. APPROVAL
CLASS 01	SUB 01	DRAWING USAGE CUSTOMER
		CHECKED BY BMC 3/13/2016

PART NO.	MJACK	PAGE
DWG. NO.	MJACK	1 OF 2



**TOLERANCE NOTES**

**TOLERANCES ON DIMENSIONS, UNLESS OTHERWISE NOTED ARE:  
 SAWED, SHEARED AND GAS CUT EDGES ( $\pm 0.030$ " )  
 DRILLED AND GAS CUT HOLES ( $\pm 0.030$ " ) - NO CONING OF HOLES  
 LASER CUT EDGES AND HOLES ( $\pm 0.010$ " ) - NO CONING OF HOLES  
 BENDS ARE  $\pm 1/2$  DEGREE  
 ALL OTHER MACHINING ( $\pm 0.030$ " )  
 ALL OTHER ASSEMBLY ( $\pm 0.060$ " )**

PROPRIETARY NOTE:  
 THE DATA AND TECHNIQUES CONTAINED IN THIS DRAWING ARE PROPRIETARY INFORMATION OF VALMONT INDUSTRIES AND CONSIDERED A TRADE SECRET. ANY USE OR DISCLOSURE WITHOUT THE CONSENT OF VALMONT INDUSTRIES IS STRICTLY PROHIBITED.

DESCRIPTION  
**MODULAR JACK LEG  
 WITH 12' SQUARE FOOTPAD**

CPD NO.	DRAWN BY <b>CEK</b>	3/7/2016	ENG. APPROVAL
CLASS <b>01</b>	SUB <b>01</b>	DRAWING USAGE <b>CUSTOMER</b>	CHECKED BY <b>BMC</b> 3/13/2016

**SITE PRO 1**  
 A valmont COMPANY

Engineering Support Team:  
 1-888-753-7446

Locations:  
 New York, NY  
 Atlanta, GA  
 Los Angeles, CA  
 Plymouth, IN  
 Salem, OR  
 Dallas, TX

PART NO.	<b>MJACK</b>	PAGE
DWG. NO.	<b>MJACK</b>	<b>2 OF 2</b>