

PARTS LIST						
ITEM	QTY	PART NO.	PART DESCRIPTION	LENGTH	UNIT WT.	NET WT.
1	1	X-JACK	5,000 LB. SIDE CRANK JACK		13.37	13.37
2	1	X-MEJFP	EXTENDED MODULAR JACK FOOT PAD		49.64	49.64
3	1	X-MJCP	MJACK CONNECTION PLATE	5 3/8 in	5.49	5.49
4	1	G103	1" X 3" HEX BOLT (HDG.)	3 in	1.07	1.07
5	2	G1LW	1" LOCK WASHER		0.09	0.19
6	1	G1NUT	1" HDG HEAVY HEX NUT		0.47	0.47
7	1	G3803	3/8" x 3" HDG HEX BOLT GR5		0.12	0.12
8	3	G38112	3/8" x 1-1/2" HDG HEX BOLT GR5		0.07	0.21
9	6	G38FW	3/8" HDG USS FLATWASHER		0.01	0.07
10	4	G38LW	3/8" HDG LOCKWASHER		0.01	0.03
11	4	G38NUT	3/8" HDG HEAVY 2H HEX NUT		0.03	0.14
					TOTAL WT. #	70.80

TOLERANCE NOTES

TOLERANCES ON DIMENSIONS, UNLESS OTHERWISE NOTED ARE:
 SAWED, SHEARED AND GAS CUT EDGES ($\pm 0.030"$)
 DRILLED AND GAS CUT HOLES ($\pm 0.030"$) - NO CONING OF HOLES
 LASER CUT EDGES AND HOLES ($\pm 0.010"$) - NO CONING OF HOLES
 BENDS ARE $\pm 1/2$ DEGREE
 ALL OTHER MACHINING ($\pm 0.030"$)
 ALL OTHER ASSEMBLY ($\pm 0.060"$)

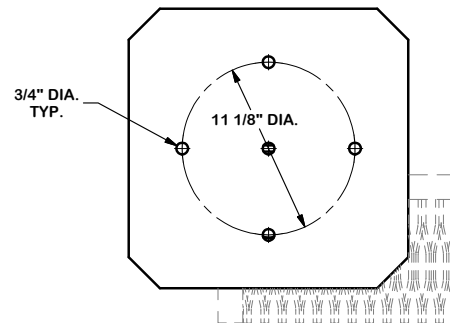
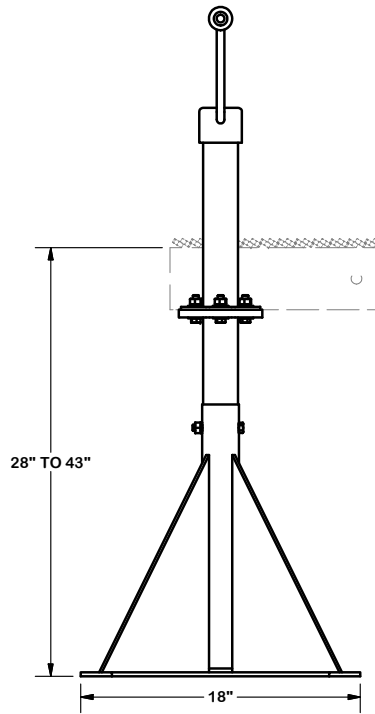
PROPRIETARY NOTE:
 THE DATA AND TECHNIQUES CONTAINED IN THIS DRAWING ARE PROPRIETARY INFORMATION OF VALMONT INDUSTRIES AND CONSIDERED A TRADE SECRET. ANY USE OR DISCLOSURE WITHOUT THE CONSENT OF VALMONT INDUSTRIES IS STRICTLY PROHIBITED.

DESCRIPTION
 MODULAR JACK LEG
 WITH 18" SQUARE FOOTPAD

SITE PRO 1
 A valmont COMPANY
 Engineering Support Team:
 1-888-753-7446
 Locations:
 New York, NY
 Atlanta, GA
 Los Angeles, CA
 Plymouth, IN
 Salem, OR
 Dallas, TX

CPD NO.	DRAWN BY CEK	ENG. APPROVAL
CLASS 01	SUB 01	DRAWING USAGE CUSTOMER
		CHECKED BY BMC 3/13/2016


PART NO.	MJACK-EXT	PAGE
DWG. NO.	MJACK-EXT	1 OF 2



TOLERANCE NOTES
TOLERANCES ON DIMENSIONS, UNLESS OTHERWISE NOTED ARE:
SAWED, SHEARED AND GAS CUT EDGES (± 0.030 ")
DRILLED AND GAS CUT HOLES (± 0.030 ") - NO CONING OF HOLES
LASER CUT EDGES AND HOLES (± 0.010 ") - NO CONING OF HOLES
BENDS ARE $\pm 1/2$ DEGREE
ALL OTHER MACHINING (± 0.030 ")
ALL OTHER ASSEMBLY (± 0.060 ")

PROPRIETARY NOTE:
 THE DATA AND TECHNIQUES CONTAINED IN THIS DRAWING ARE PROPRIETARY INFORMATION OF VALMONT INDUSTRIES AND CONSIDERED A TRADE SECRET. ANY USE OR DISCLOSURE WITHOUT THE CONSENT OF VALMONT INDUSTRIES IS STRICTLY PROHIBITED.

DESCRIPTION		MODULAR JACK LEG WITH 18" SQUARE FOOTPAD	
CPD NO.	DRAWN BY	ENG. APPROVAL	
	CEK	3/7/2016	
CLASS	SUB	DRAWING USAGE	CHECKED BY
01	01	CUSTOMER	BMC 3/13/2016

 A valmont COMPANY	Engineering Support Team: 1-888-753-7446	Locations: New York, NY Atlanta, GA Los Angeles, CA Plymouth, IN Salem, OR Dallas, TX
	PART NO.	MJACK-EXT
DWG. NO.	MJACK-EXT	PAGE 2 OF 2