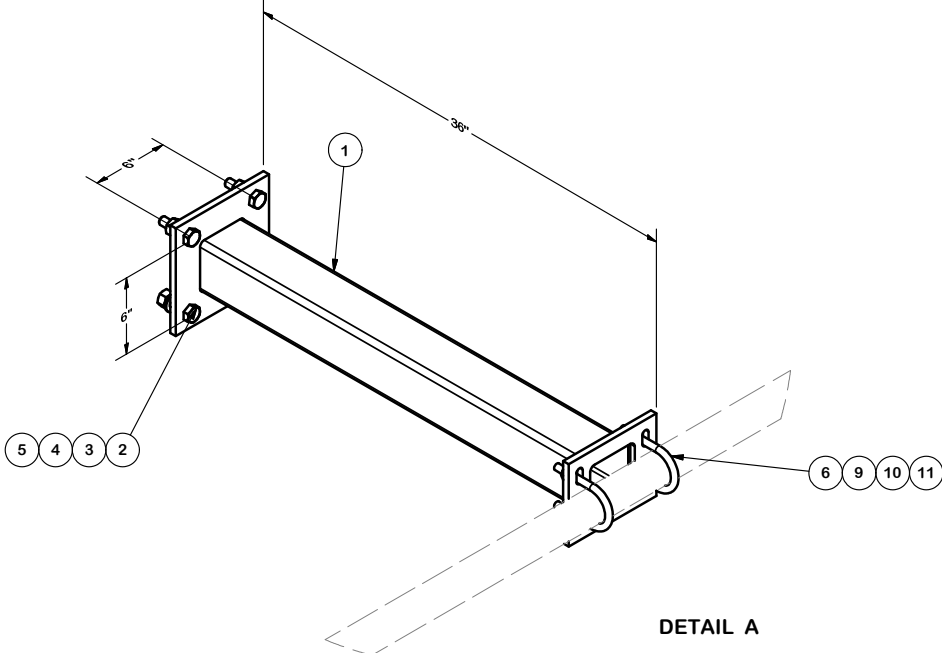


2-3/8" OD PIPE, 2-7/8" OD PIPE or 3-1/2" PIPE,  
PIPE NOT INCLUDED



DETAIL A

PARTS LIST						
ITEM	QTY	PART NO.	PART DESCRIPTION	LENGTH	UNIT WT.	NET WT.
1	1	X-WWM03	3' STAND-OFF ARM / WALL MOUNT		40.14	40.14
2	4	A582112	5/8" x 2-1/2" HDG A325 HEX BOLT	2 1/2 in	0.33	1.34
3	4	A58FW	5/8" HDG A325 FLATWASHER		0.03	0.14
4	4	G58LW	5/8" HDG LOCKWASHER		0.03	0.10
5	4	A58NUT	5/8" HDG A325 HEX NUT		0.13	0.52
6	2	X-UB1212	1/2" X 2-1/2" X 4-1/2" X 2" GALV. U-BOLT		0.66	1.31
7	2	X-UB1300	1/2" X 3" X 5" X 2" GALV U-BOLT		0.70	1.39
8	2	X-UB1358	1/2" X 3-5/8" X 5-1/2" X 3" GALV U-BOLT		0.77	1.54
9	4	G12LW	1/2" HDG LOCKWASHER		0.01	0.06
10	4	G12FW	1/2" HDG USS FLATWASHER		0.03	0.14
11	4	G12NUT	1/2" HDG HEAVY 2H HEX NUT		0.07	0.29
					TOTAL WT. #	39.27

**TOLERANCE NOTES**

TOLERANCES ON DIMENSIONS, UNLESS OTHERWISE NOTED ARE:  
 SAWED, SHEARED AND GAS CUT EDGES ( $\pm 0.030"$ )  
 DRILLED AND GAS CUT HOLES ( $\pm 0.030"$ ) - NO CONING OF HOLES  
 LASER CUT EDGES AND HOLES ( $\pm 0.010"$ ) - NO CONING OF HOLES  
 BENDS ARE  $\pm 1/2$  DEGREE  
 ALL OTHER MACHINING ( $\pm 0.030"$ )  
 ALL OTHER ASSEMBLY ( $\pm 0.060"$ )

PROPRIETARY NOTE:  
 THE DATA AND TECHNIQUES CONTAINED IN THIS DRAWING ARE PROPRIETARY INFORMATION OF VALMONT INDUSTRIES AND CONSIDERED A TRADE SECRET. ANY USE OR DISCLOSURE WITHOUT THE CONSENT OF VALMONT INDUSTRIES IS STRICTLY PROHIBITED.

DESCRIPTION  
**3' STAND-OFF  
 ANTENNA WAL MOUNT**

CPD NO. 4714	DRAWN BY LMD 1/31/2013	ENG. APPROVAL
CLASS 81	SUB 01	DRAWING USAGE CUSTOMER
		CHECKED BY BMC 12/17/2012

**SITE PRO 1**  
 A valmont COMPANY

Engineering Support Team:  
 1-888-753-7446

Locations:  
 New York, NY  
 Atlanta, GA  
 Los Angeles, CA  
 Plymouth, IN  
 Salem, OR  
 Dallas, TX

PART NO. <b>MM03</b>	PAGE 1 OF 1
DWG. NO. <b>MM03</b>	