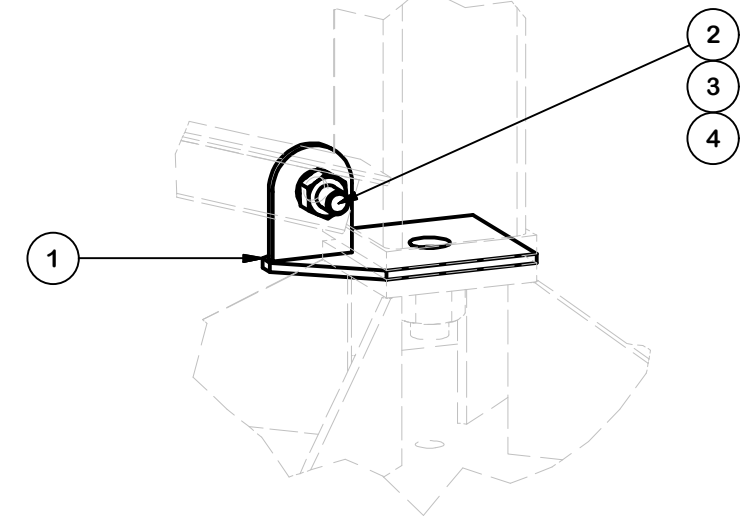
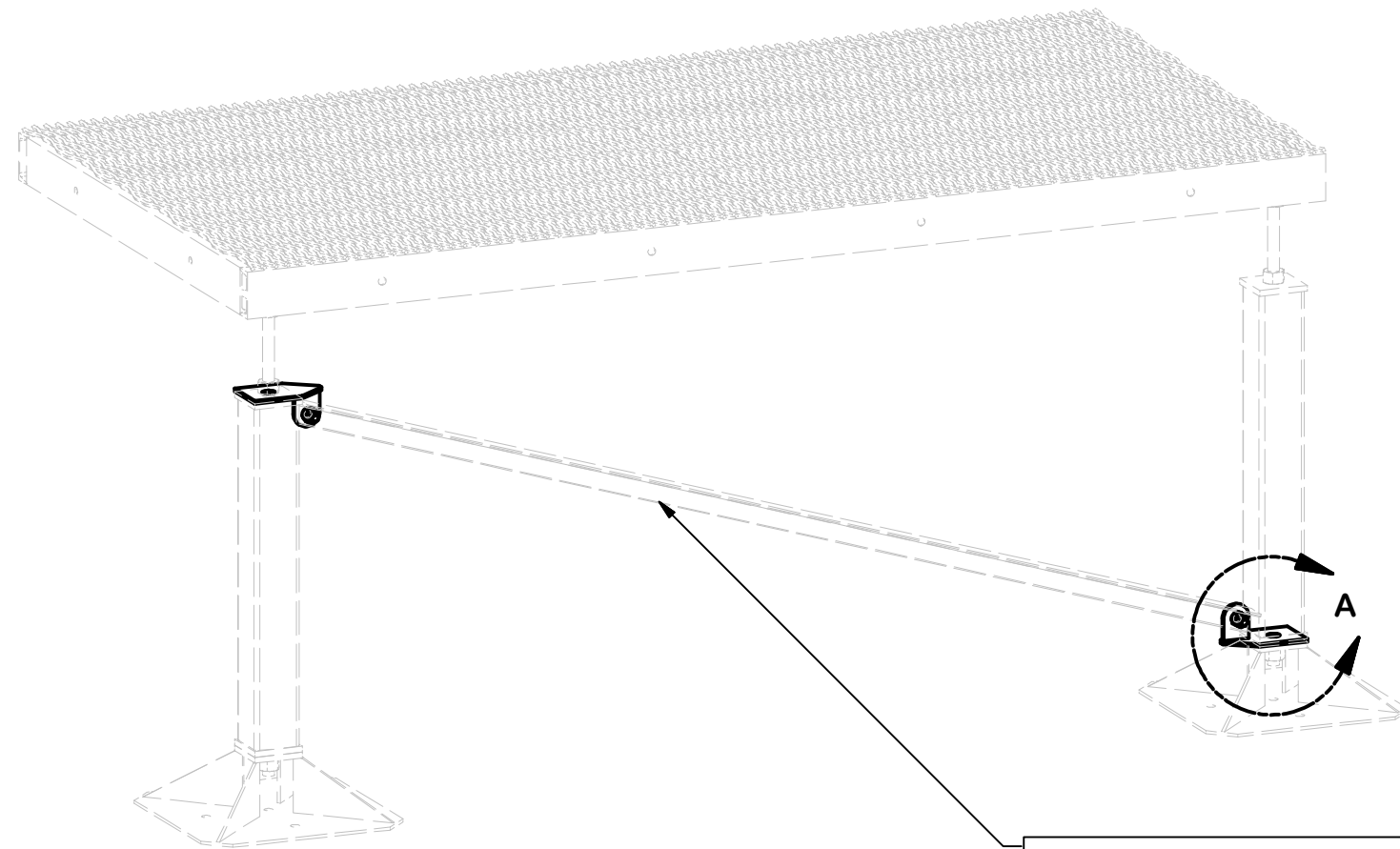


PARTS LIST					
ITEM	QTY	PART NO.	PART DESCRIPTION	UNIT WT.	NET WT.
1	2	X-BRC	MODULAR EQUIPMENT PLATFORM BRACE WELDMENT	2.50	5.00
2	2	G5802	5/8" x 2" HDG HEX BOLT GR5	0.27	0.54
3	2	G58LW	5/8" HDG LOCKWASHER	0.03	0.05
4	2	G58NUT	5/8" HDG HEAVY 2H HEX NUT	0.13	0.26
TOTAL WT. #					5.85



DETAIL A

ORDER ANGLE SEPARATELY  
FIELD CUT AND DRILL TO FIT  
AND THEN COLD GALVANIZE.

**TOLERANCE NOTES**

TOLERANCES ON DIMENSIONS, UNLESS OTHERWISE NOTED ARE:  
 SAWED, SHEARED AND GAS CUT EDGES ( $\pm 0.030"$ )  
 DRILLED AND GAS CUT HOLES ( $\pm 0.030"$ ) - NO CONING OF HOLES  
 LASER CUT EDGES AND HOLES ( $\pm 0.010"$ ) - NO CONING OF HOLES  
 BENDS ARE  $\pm 1/2$  DEGREE  
 ALL OTHER MACHINING ( $\pm 0.030"$ )  
 ALL OTHER ASSEMBLY ( $\pm 0.060"$ )

PROPRIETARY NOTE:  
 THE DATA AND TECHNIQUES CONTAINED IN THIS DRAWING ARE PROPRIETARY INFORMATION OF VALMONT INDUSTRIES AND CONSIDERED A TRADE SECRET. ANY USE OR DISCLOSURE WITHOUT THE CONSENT OF VALMONT INDUSTRIES IS STRICTLY PROHIBITED.

DESCRIPTION  
**MODULAR EQUIPMENT PLATFORM  
 BRACE KIT**

CPD NO. DRAWN BY ENG. APPROVAL  
 CSL3 5/18/2017 3RD PARTY

CLASS SUB DRAWING USAGE CHECKED BY  
 87 02 SHOP BMC 6/6/2017

**SITE PRO 1**  
 A valmont COMPANY

Engineering Support Team:  
 1-888-753-7446

Locations:  
 New York, NY  
 Atlanta, GA  
 Los Angeles, CA  
 Plymouth, IN  
 Salem, OR  
 Dallas, TX

PART NO. **MPAD-BRC**

DWG. NO. **MPAD-BRC**