

PARTS LIST						
ITEM	QTY	PART NO.	PART DESCRIPTION	LENGTH	UNIT WT.	NET WT.
1	4	X-MPOST	SUPPORT POST FOR EQUIPMENT PLATFORM ICE BRIDGE KITS		92.99	371.97
2	4	GRS24	24" X 10' GRIP SPAN BRIDGE CHANNEL		87.48	349.93
3	2	X-COV8	8' HORIZONTAL COV SUPPORT ANGLE	96 in	53.00	106.00
4	4	X-MBPB	BACKING PLATE FOR X-MPOST	8 in	8.48	33.90
5	8	X-232698	TRPD-HD SUPPORT PLATE - SITE PRO 1	29 1/2 in	8.72	69.77
6	8	SCP	CLAMP HALF, 1/2" x 5-3/4"		1.29	10.34
7	8	SHCM-T	CHAIN MOUNT TIGHTENER BRACKET	3 in	1.84	14.73
8	4	PC312	3-1/2" FENCE POST CAP		0.59	2.34
9	8	X-124312	1/2" X 2" X 2" ANGLE SPACER; WITH 9/16" HOLE	2 in	0.53	4.26
10	16	G58312	5/8" x 3-1/2" HDG HEX BOLT GR5		0.40	6.41
11	32	G58FW	5/8" HDG USS FLATWASHER	1/8 in	0.07	2.25
12	16	G58LW	5/8" HDG LOCKWASHER		0.03	0.42
13	16	G58NUT	5/8" HDG HEAVY 2H HEX NUT		0.13	2.08
14	16	X-UB1358	1/2" X 3-5/8" X 5-1/2" X 3" GALV U-BOLT		0.77	12.36
15	8	G1203	1/2" x 3" HDG HEX BOLT GR5 FULL THREAD	3 in	0.22	1.74
16	8	G1202	1/2" x 2" HDG HEX BOLT GR5	2 in	0.18	1.41
17	32	G12FW	1/2" HDG USS FLATWASHER	3/32 in	0.03	1.09
18	48	G12LW	1/2" HDG LOCKWASHER	1/8 in	0.01	0.67
19	56	G12NUT	1/2" HDG HEAVY 2H HEX NUT		0.07	4.01
20	16	X-JB8	J-BOLT, 3/8" X 8" X 6" THREADED		0.33	5.29
21	16	SQW38	3/8" SQUARE WASHER (GALV.)	2 in	0.27	4.37
22	16	G38LW	3/8" HDG LOCKWASHER		0.01	0.11
23	16	G38NUT	3/8" HDG HEAVY 2H HEX NUT		0.03	0.54
					<b>TOTAL WT. #</b>	<b>927.96</b>

**TOLERANCE NOTES**

TOLERANCES ON DIMENSIONS, UNLESS OTHERWISE NOTED ARE:  
 SAWED, SHEARED AND GAS CUT EDGES ( $\pm 0.030"$ )  
 DRILLED AND GAS CUT HOLES ( $\pm 0.030"$ ) - NO CONING OF HOLES  
 LASER CUT EDGES AND HOLES ( $\pm 0.010"$ ) - NO CONING OF HOLES  
 BENDS ARE  $\pm 1/2$  DEGREE  
 ALL OTHER MACHINING ( $\pm 0.030"$ )  
 ALL OTHER ASSEMBLY ( $\pm 0.060"$ )

**PROPRIETARY NOTE:**  
 THE DATA AND TECHNIQUES CONTAINED IN THIS DRAWING ARE PROPRIETARY INFORMATION OF VALMONT INDUSTRIES AND CONSIDERED A TRADE SECRET. ANY USE OR DISCLOSURE WITHOUT THE CONSENT OF VALMONT INDUSTRIES IS STRICTLY PROHIBITED.

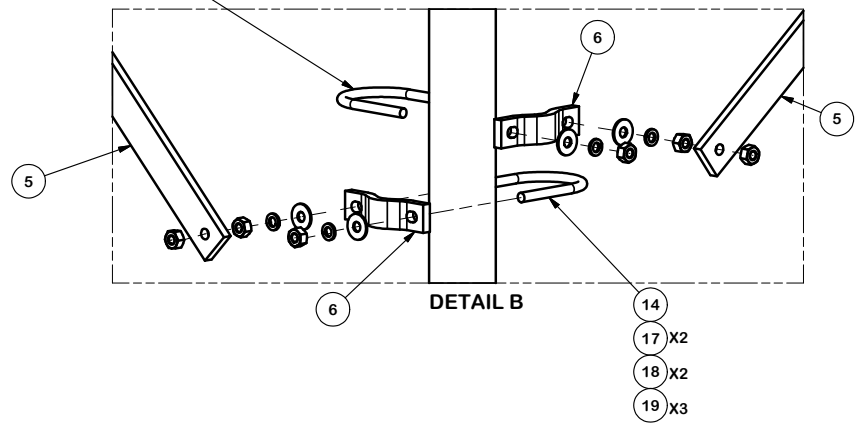
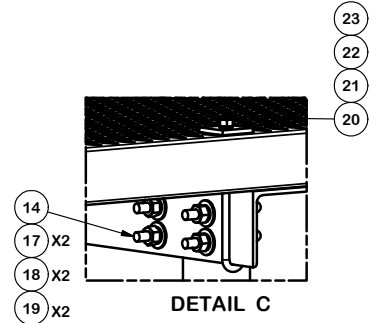
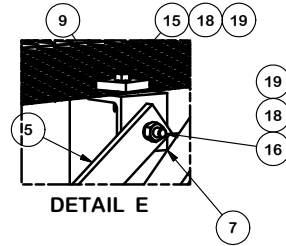
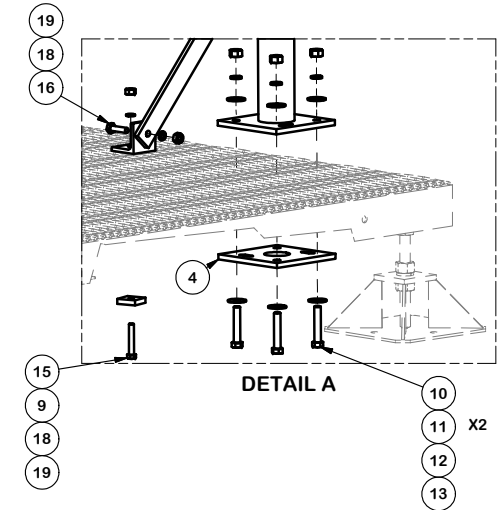
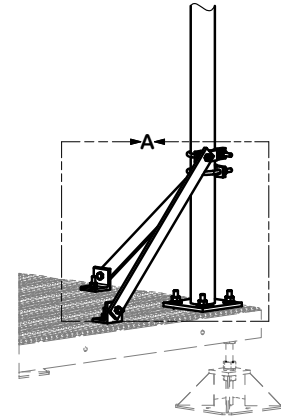
DESCRIPTION  
 8' WIDE X 10' LONG COV  
 FOR MODULAR EQUIPMENT PLATFORM

**SITE PRO 1**  
 Engineering Support Team:  
 1-888-753-7446  
 Locations:  
 New York, NY  
 Atlanta, GA  
 Los Angeles, CA  
 Plymouth, IN  
 Salem, OR  
 Dallas, TX

CPD NO.	DRAWN BY CEK 12/5/2016	ENG. APPROVAL
CLASS 81	SUB 02	DRAWING USAGE CUSTOMER
	CHECKED BY BMC 12/9/2016	

PART NO. <b>MPCOV810</b>	PAGE 1 OF 3
DWG. NO. <b>MPCOV810</b>	

ALTERNATE BRACING LOCATION



**TOLERANCE NOTES**

TOLERANCES ON DIMENSIONS, UNLESS OTHERWISE NOTED ARE:  
 SAWED, SHEARED AND GAS CUT EDGES ( $\pm 0.030"$ )  
 DRILLED AND GAS CUT HOLES ( $\pm 0.030"$ ) - NO CONING OF HOLES  
 LASER CUT EDGES AND HOLES ( $\pm 0.010"$ ) - NO CONING OF HOLES  
 BENDS ARE  $\pm 1/2$  DEGREE  
 ALL OTHER MACHINING ( $\pm 0.030"$ )  
 ALL OTHER ASSEMBLY ( $\pm 0.060"$ )

PROPRIETARY NOTE:  
 THE DATA AND TECHNIQUES CONTAINED IN THIS DRAWING ARE PROPRIETARY INFORMATION OF VALMONT INDUSTRIES AND CONSIDERED A TRADE SECRET. ANY USE OR DISCLOSURE WITHOUT THE CONSENT OF VALMONT INDUSTRIES IS STRICTLY PROHIBITED.

DESCRIPTION  
 8' WIDE X 10' LONG COV  
 FOR MODULAR EQUIPMENT PLATFORM

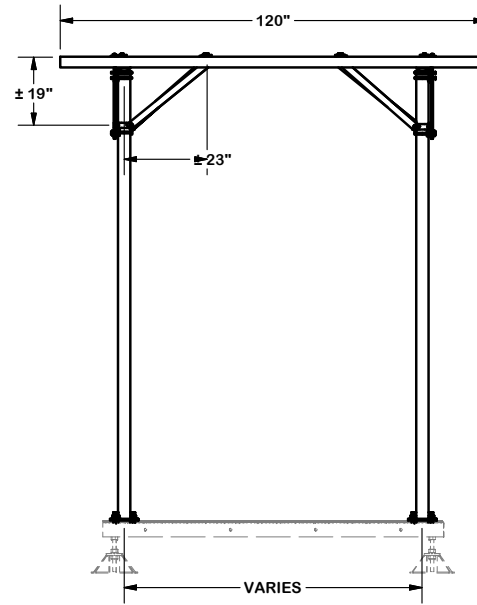
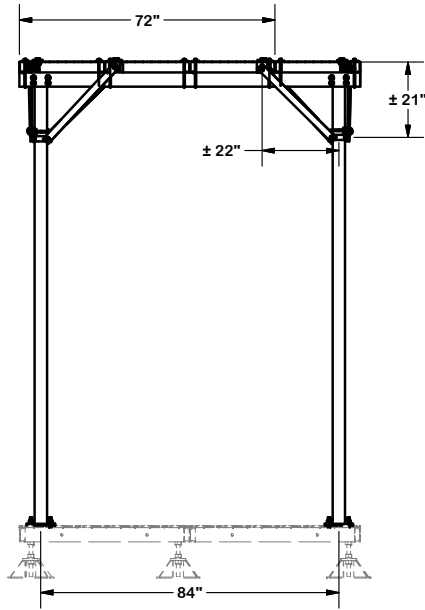
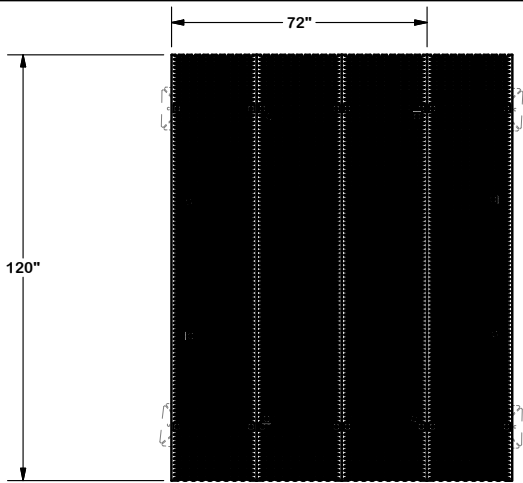
CPD NO.	DRAWN BY	ENG. APPROVAL
CLASS	DRAWING USAGE	CHECKED BY
81	02	CUSTOMER
		BMC 12/9/2016

**SITE PRO 1**  
 A valmont COMPANY

Engineering Support Team:  
 1-888-753-7446

Locations:  
 New York, NY  
 Atlanta, GA  
 Los Angeles, CA  
 Plymouth, IN  
 Salem, OR  
 Dallas, TX

PART NO.	MPCOV810
DWG. NO.	MPCOV810



**TOLERANCE NOTES**

**TOLERANCES ON DIMENSIONS, UNLESS OTHERWISE NOTED ARE:**  
**SAWED, SHEARED AND GAS CUT EDGES ( $\pm 0.030"$ )**  
**DRILLED AND GAS CUT HOLES ( $\pm 0.030"$ ) - NO CONING OF HOLES**  
**LASER CUT EDGES AND HOLES ( $\pm 0.010"$ ) - NO CONING OF HOLES**  
**BENDS ARE  $\pm 1/2$  DEGREE**  
**ALL OTHER MACHINING ( $\pm 0.030"$ )**  
**ALL OTHER ASSEMBLY ( $\pm 0.060"$ )**

**PROPRIETARY NOTE:**  
 THE DATA AND TECHNIQUES CONTAINED IN THIS DRAWING ARE PROPRIETARY INFORMATION OF VALMONT INDUSTRIES AND CONSIDERED A TRADE SECRET. ANY USE OR DISCLOSURE WITHOUT THE CONSENT OF VALMONT INDUSTRIES IS STRICTLY PROHIBITED.

DESCRIPTION  
**8' WIDE X 10' LONG COV  
 FOR MODULAR EQUIPMENT PLATFORM**

CPD NO.	DRAWN BY <b>CEK 12/5/2016</b>	ENG. APPROVAL
CLASS <b>81</b>	SUB <b>02</b>	DRAWING USAGE <b>CUSTOMER</b>
CHECKED BY <b>BMC 12/9/2016</b>		



Engineering  
 Support Team:  
 1-888-753-7446

Locations:  
 New York, NY  
 Atlanta, GA  
 Los Angeles, CA  
 Plymouth, IN  
 Salem, OR  
 Dallas, TX

PART NO.	<b>MPCOV810</b>	PAGE 3 OF 3
DWG. NO.	<b>MPCOV810</b>	