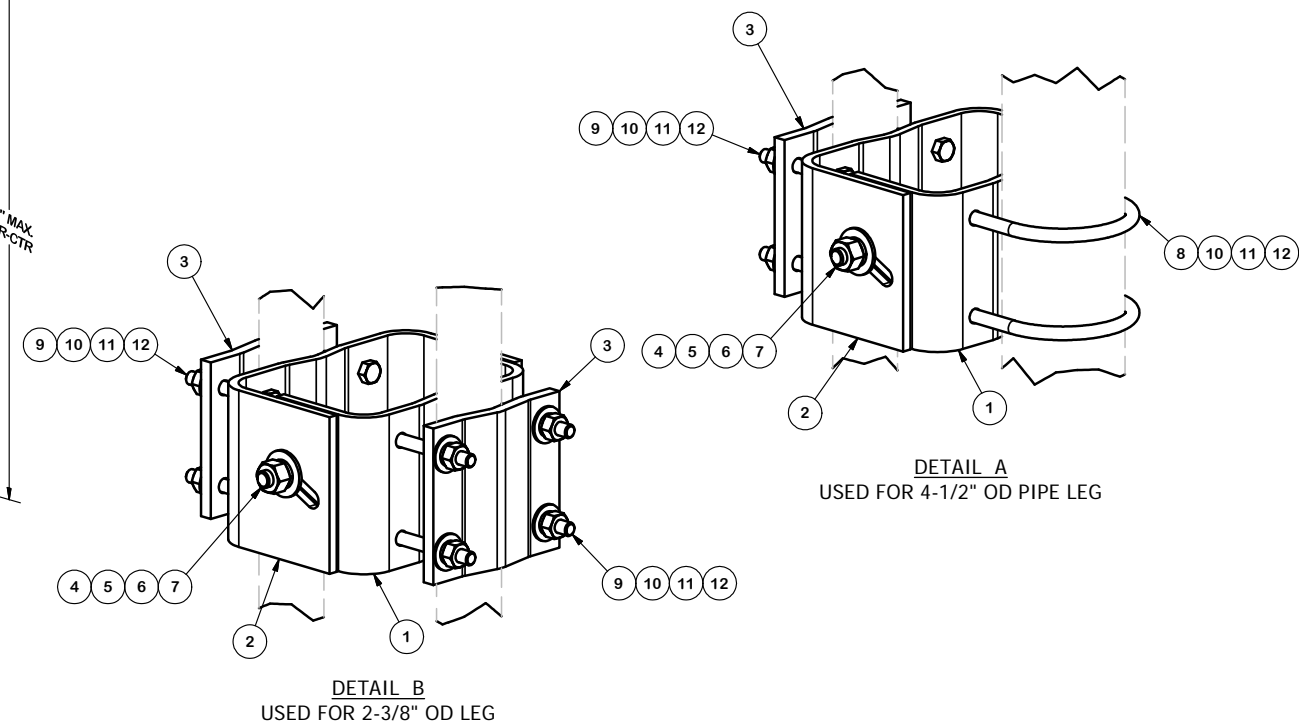


PARTS LIST						
ITEM	QTY	PART NO.	PART DESCRIPTION	LENGTH	UNIT WT.	NET WT.
1	2	X-154463	UNIVERSAL PIPE MOUNTING PLATE (INNER)		10.52	21.03
2	2	X-155561	UNIVERSAL PIPE MOUNTING PLATE (OUTER)		13.16	26.31
3	4	X-159999	BACKING PLATE		5.73	22.92
4	4	G5802	5/8" x 2" HDG HEX BOLT GR5		0.27	1.09
5	4	G58FW	5/8" HDG USS FLATWASHER		0.07	0.28
6	4	G58LW	5/8" HDG LOCKWASHER		0.03	0.10
7	4	G58NUT	5/8" HDG HEAVY 2H HEX NUT		0.13	0.52
8	4	X-UB1458	1/2" X 4-5/8" X 7" X 3" GALV U-BOLT		0.97	3.89
9	16	G1204	1/2" x 4" HDG HEX BOLT GR5 FULL THREAD	4 in	0.27	4.32
9	16	G12065	1/2" x 6-1/2" HDG HEX BOLT GR5 FULL THREAD	6 1/2 in	0.41	6.55
10	16	G12FW	1/2" HDG USS FLATWASHER		0.03	0.54
11	16	G12LW	1/2" HDG LOCKWASHER		0.01	0.22
12	16	G12NUT	1/2" HDG HEAVY 2H HEX NUT		0.07	1.14
					TOTAL WT. #	90.12



TOLERANCE NOTES

TOLERANCES ON DIMENSIONS, UNLESS OTHERWISE NOTED ARE:
 SAWED, SHEARED AND GAS CUT EDGES ($\pm 0.030"$)
 DRILLED AND GAS CUT HOLES ($\pm 0.030"$) - NO CONING OF HOLES
 LASER CUT EDGES AND HOLES ($\pm 0.010"$) - NO CONING OF HOLES
 BENDS ARE $\pm 1/2$ DEGREE
 ALL OTHER MACHINING ($\pm 0.030"$)
 ALL OTHER ASSEMBLY ($\pm 0.060"$)

PROPRIETARY NOTE:
 THE DATA AND TECHNIQUES CONTAINED IN THIS DRAWING ARE PROPRIETARY INFORMATION OF VALMONT INDUSTRIES AND CONSIDERED A TRADE SECRET. ANY USE OR DISCLOSURE WITHOUT THE CONSENT OF VALMONT INDUSTRIES IS STRICTLY PROHIBITED.

DESCRIPTION		R5 UNIVERSAL PIPE MOUNT KIT FOR 1-1/2" to 4-1/2" OD PIPE LEGS	
CPD NO.	DRAWN BY	ENG. APPROVAL	
4718	RH18 3/30/2010		
CLASS	SUB	DRAWING USAGE	CHECKED BY
81	01	CUSTOMER	BMC 4/21/2010

<p>Engineering Support Team: 1-888-753-7446</p> <p>A valmont COMPANY</p>	Locations: New York, NY Atlanta, GA Los Angeles, CA Plymouth, IN Salem, OR Dallas, TX
	<p>PART NO. R5-UP</p> <p>DWG. NO. R5-UP</p>