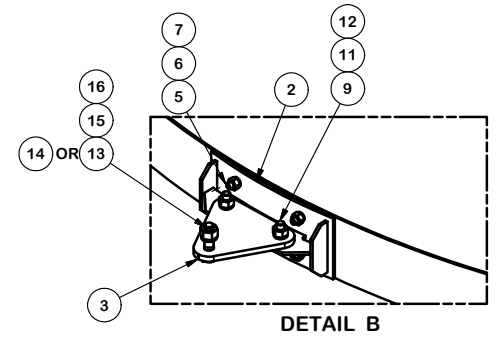
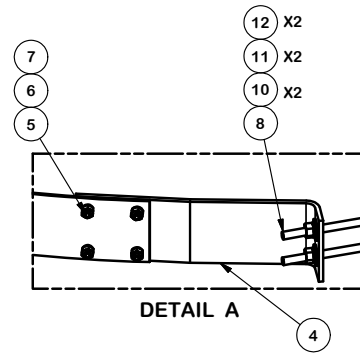


PARTS LIST						
ITEM	QTY	PART NO.	PART DESCRIPTION	LENGTH	UNIT WT.	NET WT.
1	6	X-114178	CHIMNEY STRAP		45.08	270.49
2	6	X-115582	ANTENNA MOUNTING PLATE		9.42	56.53
3	6	X-RCMSIP	RCM SECTOR FRAME INTERFACE PLATE	8 1/4 in	5.96	35.77
4	12	X-125077	FORMED END PLATE	9 in	14.47	173.64
5	72	CB12112	1/2" X 1-1/2" CARRIAGE BOLT		0.13	9.29
6	72	G12LW	1/2" HDG LOCKWASHER	1/8 in	0.01	1.00
7	72	G12NUT	1/2" HDG HEAVY 2H HEX NUT		0.07	5.16
8	12	G58R-36	5/8" x 36" THREADED ROD (HDG.)		0.40	4.79
9	12	G5802	5/8" x 2" HDG HEX BOLT GR5		0.27	3.24
10	24	G58FW	5/8" HDG USS FLATWASHER	1/8 in	0.07	1.69
11	36	G58LW	5/8" HDG LOCKWASHER		0.03	0.94
12	36	G58NUT	5/8" HDG HEAVY 2H HEX NUT		0.13	4.68
13	6	A34234	3/4"-10 X 2-3/4" A325 BOLT WITH 1-3/8" THREAD	2 3/4 in	0.54	3.22
14	6	A34212	3/4" x 2-1/2" UNC HEX BOLT (A325)	2 1/2 in	0.48	2.87
15	6	G34LW	3/4" HDG LOCKWASHER		0.04	0.26
16	6	G34NUT	3/4" HDG HEAVY 2H HEX NUT		0.21	1.27
					<b>TOTAL WT. #</b>	<b>607.69</b>



**TOLERANCE NOTES**

TOLERANCES ON DIMENSIONS, UNLESS OTHERWISE NOTED ARE:  
 SAWED, SHEARED AND GAS CUT EDGES ( $\pm 0.030"$ )  
 DRILLED AND GAS CUT HOLES ( $\pm 0.030"$ ) - NO CONING OF HOLES  
 LASER CUT EDGES AND HOLES ( $\pm 0.010"$ ) - NO CONING OF HOLES  
 BENDS ARE  $\pm 1/2$  DEGREE  
 ALL OTHER MACHINING ( $\pm 0.030"$ )  
 ALL OTHER ASSEMBLY ( $\pm 0.060"$ )

PROPRIETARY NOTE:  
 THE DATA AND TECHNIQUES CONTAINED IN THIS DRAWING ARE PROPRIETARY INFORMATION OF VALMONT INDUSTRIES AND CONSIDERED A TRADE SECRET. ANY USE OR DISCLOSURE WITHOUT THE CONSENT OF VALMONT INDUSTRIES IS STRICTLY PROHIBITED.

DESCRIPTION		
11' TO 13' ROUND CHIMNEY MOUNT KIT		
CPD NO.	DRAWN BY	ENG. APPROVAL
	CEK 4/10/2017	
CLASS	SUB	DRAWING USAGE
81	02	CUSTOMER
		CHECKED BY
		BMC 5/9/2017

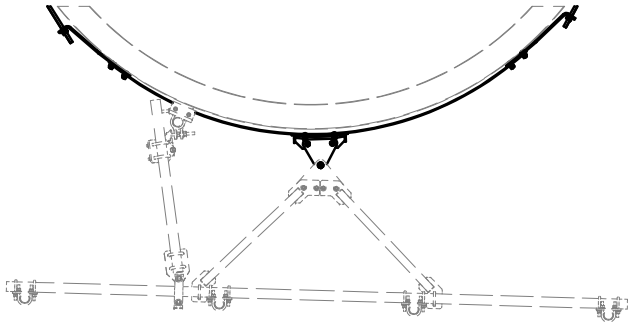
<p>A valmont COMPANY</p>	Locations: New York, NY Atlanta, GA Los Angeles, CA Plymouth, IN Salem, OR Dallas, TX	
	Engineering Support Team: 1-888-753-7446	
PART NO.	RCM1113	PAGE 1 OF 2
DWG. NO.	RCM1113	

**SECTOR FRAMES**

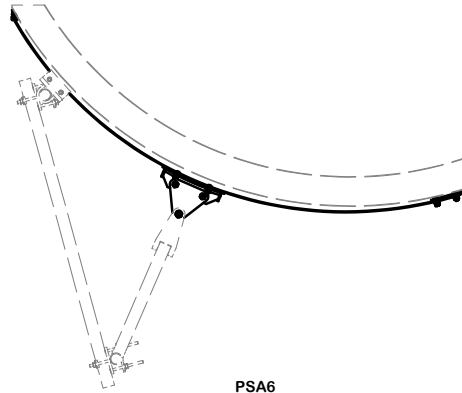
**PIVOT SIDE ARMS**

**FIXED PIPEMOUNTS**

**ADJUSTABLE PIPE MOUNTS**



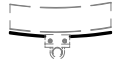
VFAxx-SD  
VFAxx-HD



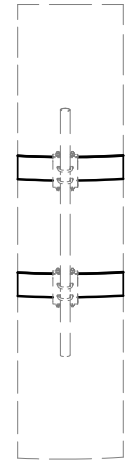
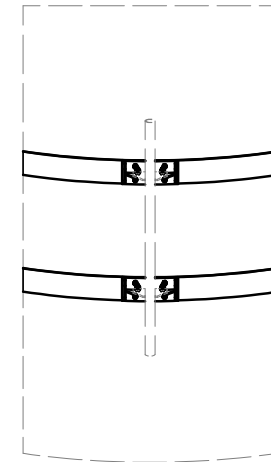
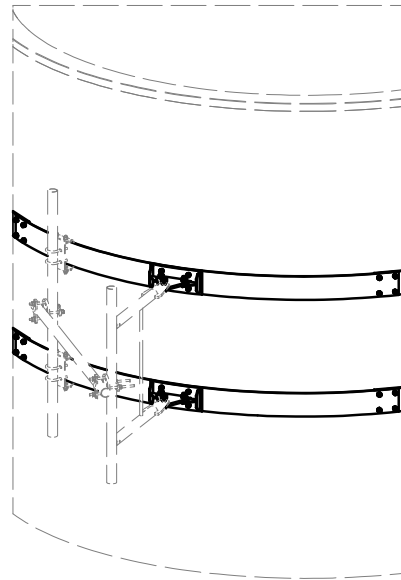
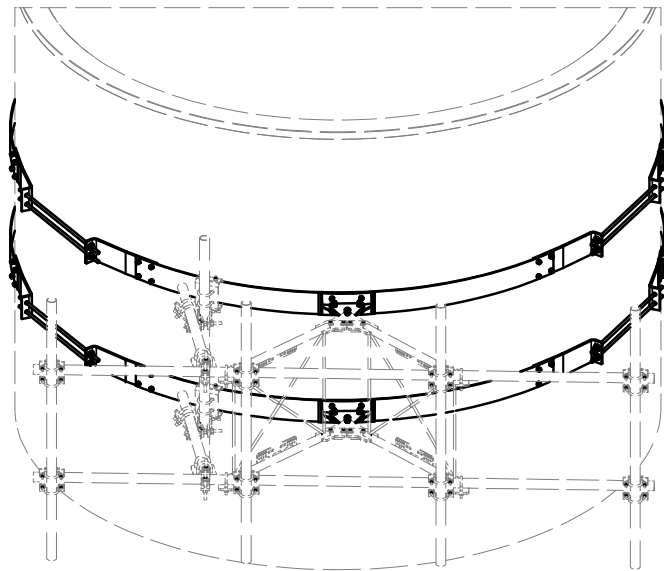
PSA6  
PSA3



X-B1161 - 2-3/8" O.D. X 60" PIPE - STRAIGHT  
X-B965 - 4-1/2" O.D. X 60" PIPE - STRAIGHT  
X-B967 - 4-1/2" O.D. X 60" PIPE - TAPERED



RC-PM23 &  
2-3/8" O.D. PIPE



**TOLERANCE NOTES**

TOLERANCES ON DIMENSIONS, UNLESS OTHERWISE NOTED ARE:  
 SAWED, SHEARED AND GAS CUT EDGES ( $\pm 0.030"$ )  
 DRILLED AND GAS CUT HOLES ( $\pm 0.030"$ ) - NO CONING OF HOLES  
 LASER CUT EDGES AND HOLES ( $\pm 0.010"$ ) - NO CONING OF HOLES  
 BENDS ARE  $\pm 1/2$  DEGREE  
 ALL OTHER MACHINING ( $\pm 0.030"$ )  
 ALL OTHER ASSEMBLY ( $\pm 0.060"$ )

PROPRIETARY NOTE:  
 THE DATA AND TECHNIQUES CONTAINED IN THIS DRAWING ARE PROPRIETARY INFORMATION OF VALMONT INDUSTRIES AND CONSIDERED A TRADE SECRET. ANY USE OR DISCLOSURE WITHOUT THE CONSENT OF VALMONT INDUSTRIES IS STRICTLY PROHIBITED.

DESCRIPTION

11' TO 13'  
 ROUND CHIMNEY MOUNT KIT

CPD NO.	DRAWN BY	ENG. APPROVAL
CLASS	DRAWING USAGE	CHECKED BY
81	02	BMC
	CUSTOMER	5/9/2017



A valmont COMPANY

Engineering  
 Support Team:  
 1-888-753-7446

Locations:  
 New York, NY  
 Atlanta, GA  
 Los Angeles, CA  
 Plymouth, IN  
 Salem, OR  
 Dallas, TX

PART NO.	RCM1113
DWG. NO.	RCM1113