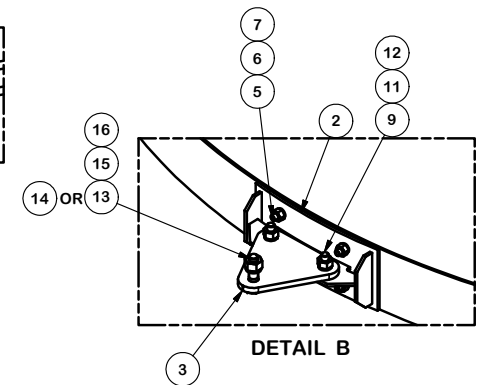
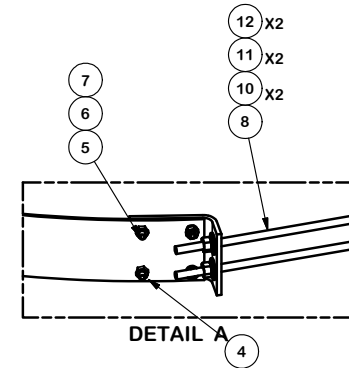


PARTS LIST						
ITEM	QTY	PART NO.	PART DESCRIPTION	LENGTH	UNIT WT.	NET WT.
1	6	X-114178	CHIMNEY STRAP		37.01	222.07
2	6	X-115582	ANTENNA MOUNTING PLATE		9.42	56.53
3	6	X-RCMSIP	RCM SECTOR FRAME INTERFACE PLATE	8 1/4 in	5.96	35.77
4	12	X-114170	FORMED END PLATE	9 in	5.84	70.02
5	72	CB12112	1/2" X 1-1/2" CARRIAGE BOLT		0.13	9.29
6	72	G12LW	1/2" HDG LOCKWASHER	1/8 in	0.01	1.00
7	72	G12NUT	1/2" HDG HEAVY 2H HEX NUT		0.07	5.16
8	12	G58R-36	5/8" x 36" THREADED ROD (HDG.)		0.40	4.79
9	12	G5802	5/8" x 2" HDG HEX BOLT GR5		0.27	3.24
10	24	G58FW	5/8" HDG USS FLATWASHER	1/8 in	0.07	1.69
11	36	G58LW	5/8" HDG LOCKWASHER		0.03	0.94
12	36	G58NUT	5/8" HDG HEAVY 2H HEX NUT		0.13	4.68
13	6	A34234	3/4"-10 X 2-3/4" A325 BOLT WITH 1-3/8" THREAD	2 3/4 in	0.54	3.22
14	6	A34212	3/4" x 2-1/2" UNC HEX BOLT (A325)	2 1/2 in	0.48	2.87
15	6	G34LW	3/4" HDG LOCKWASHER		0.04	0.26
16	6	G34NUT	3/4" HDG HEAVY 2H HEX NUT		0.21	1.27
					TOTAL WT. #	455.65



TOLERANCE NOTES
 TOLERANCES ON DIMENSIONS, UNLESS OTHERWISE NOTED ARE:
 SAWED, SHEARED AND GAS CUT EDGES ($\pm 0.030"$)
 DRILLED AND GAS CUT HOLES ($\pm 0.030"$) - NO CONING OF HOLES
 LASER CUT EDGES AND HOLES ($\pm 0.010"$) - NO CONING OF HOLES
 BENDS ARE $\pm 1/2$ DEGREE
 ALL OTHER MACHINING ($\pm 0.030"$)
 ALL OTHER ASSEMBLY ($\pm 0.060"$)

PROPRIETARY NOTE:
 THE DATA AND TECHNIQUES CONTAINED IN THIS DRAWING ARE PROPRIETARY INFORMATION OF VALMONT INDUSTRIES AND CONSIDERED A TRADE SECRET. ANY USE OR DISCLOSURE WITHOUT THE CONSENT OF VALMONT INDUSTRIES IS STRICTLY PROHIBITED.

DESCRIPTION		9' TO 11' ROUND CHIMNEY MOUNT KIT	
CPD NO.	DRAWN BY	ENG. APPROVAL	
	CEK 4/11/2017		
CLASS	SUB	DRAWING USAGE	CHECKED BY
81	02	CUSTOMER	BMC 5/9/2017

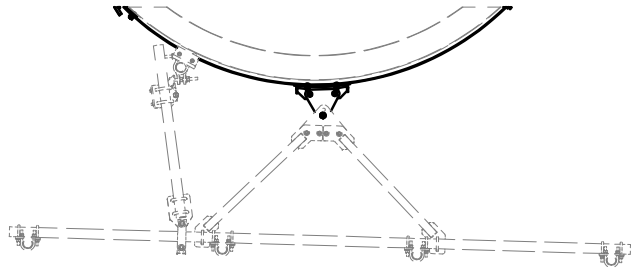
 A valmont COMPANY	Locations: New York, NY Atlanta, GA Los Angeles, CA Plymouth, IN Salem, OR Dallas, TX
	Engineering Support Team: 1-888-753-7446
PART NO.	RCM911
DWG. NO.	RCM911

SECTOR FRAMES

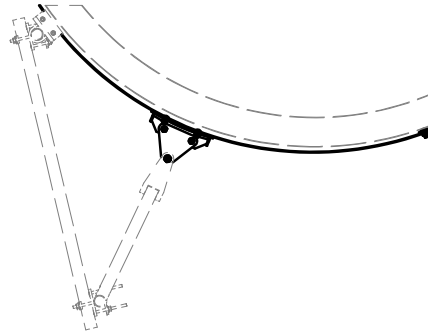
PIVOT SIDE ARMS

FIXED PIPEMOUNTS

ADJUSTABLE PIPE MOUNTS



VFAXx-SD
VFAXx-HD



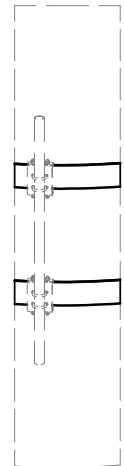
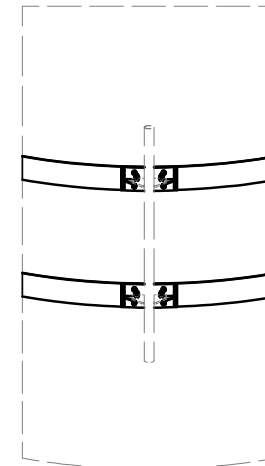
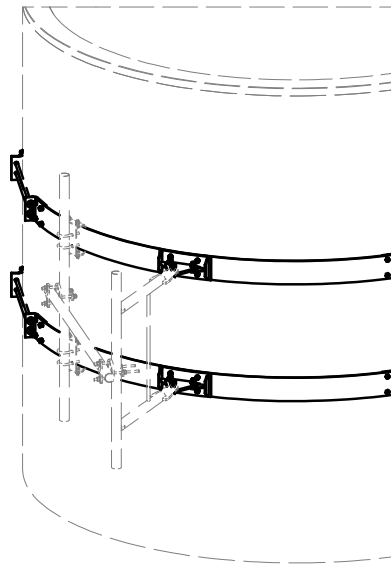
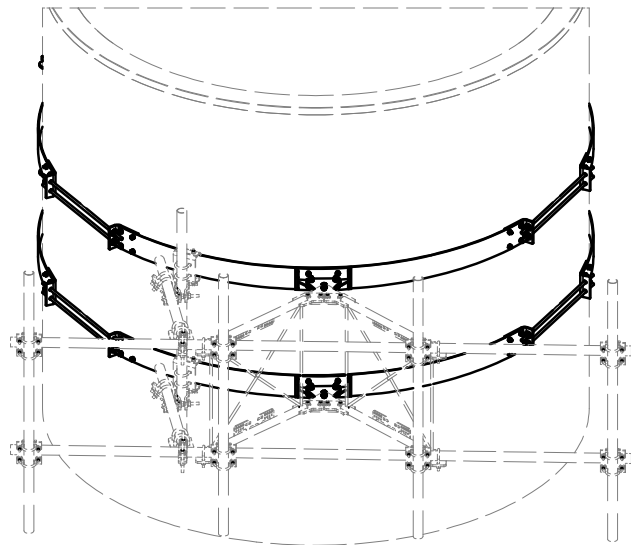
PSA6
PSA3



X-B1161 - 2-3/8" O.D. X 60" PIPE - STRAIGHT
X-B965 - 4-1/2" O.D. X 60" PIPE - STRAIGHT
X-B967 - 4-1/2" O.D. X 60" PIPE - TAPERED



RC-PM23 &
2-3/8" O.D. PIPE



TOLERANCE NOTES

TOLERANCES ON DIMENSIONS, UNLESS OTHERWISE NOTED ARE:
 SAWED, SHEARED AND GAS CUT EDGES ($\pm 0.030"$)
 DRILLED AND GAS CUT HOLES ($\pm 0.030"$) - NO CONING OF HOLES
 LASER CUT EDGES AND HOLES ($\pm 0.010"$) - NO CONING OF HOLES
 BENDS ARE $\pm 1/2$ DEGREE
 ALL OTHER MACHINING ($\pm 0.030"$)
 ALL OTHER ASSEMBLY ($\pm 0.060"$)

PROPRIETARY NOTE:
 THE DATA AND TECHNIQUES CONTAINED IN THIS DRAWING ARE PROPRIETARY INFORMATION OF VALMONT INDUSTRIES AND CONSIDERED A TRADE SECRET. ANY USE OR DISCLOSURE WITHOUT THE CONSENT OF VALMONT INDUSTRIES IS STRICTLY PROHIBITED.

DESCRIPTION
 9' TO 11'
 ROUND CHIMNEY MOUNT KIT

CPD NO.	DRAWN BY	ENG. APPROVAL
CLASS	DRAWING USAGE	CHECKED BY
81	02	BMC
	CUSTOMER	5/9/2017

SITE PRO 1
 A valmont COMPANY

Locations:
 New York, NY
 Atlanta, GA
 Los Angeles, CA
 Plymouth, IN
 Salem, OR
 Dallas, TX

Engineering Support Team:
 1-888-753-7446

PART NO.	RCM911
DWG. NO.	RCM911