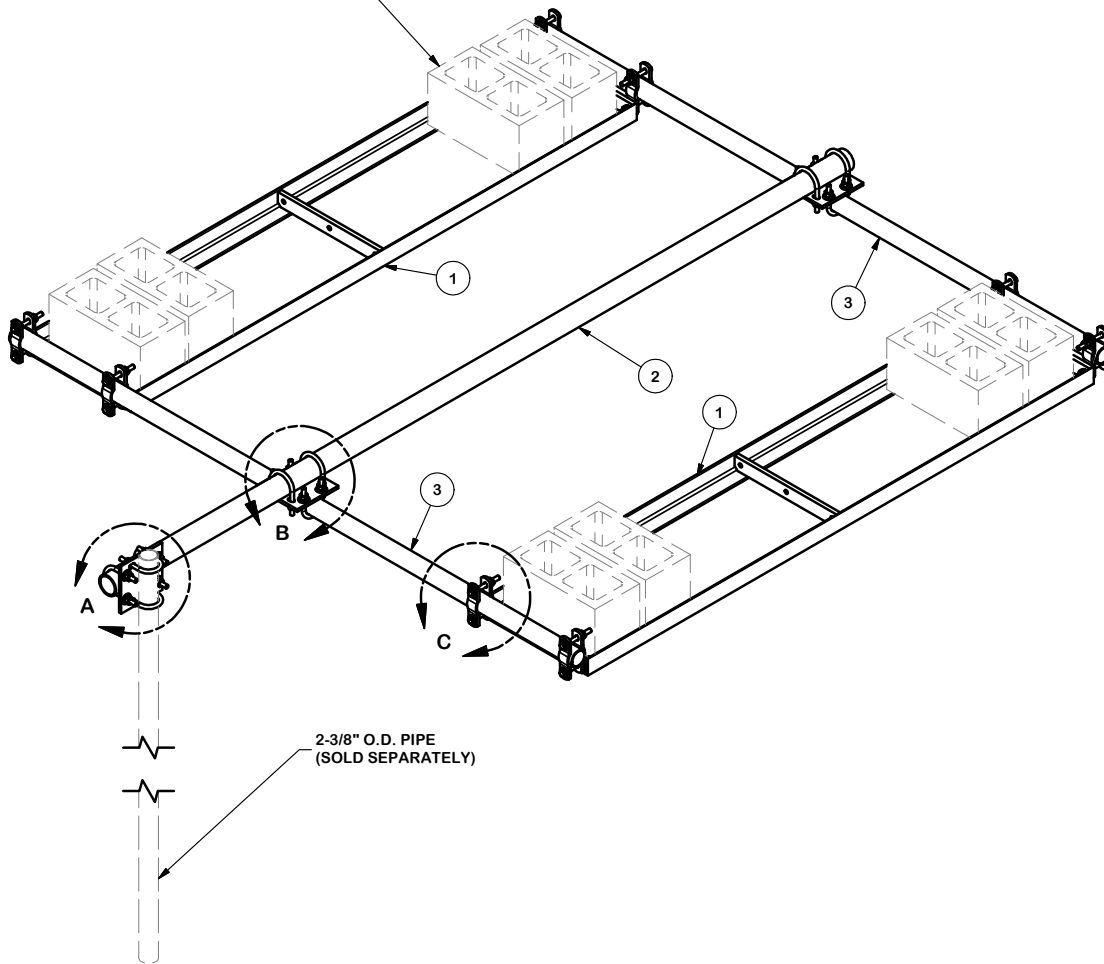
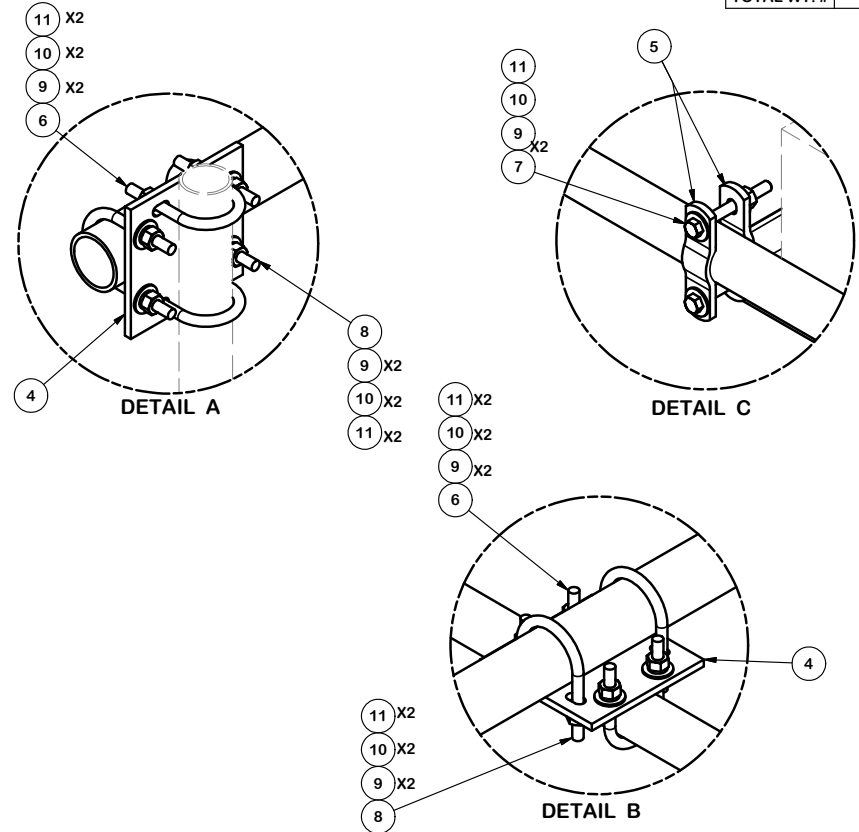


BALLAST BY OTHERS



PARTS LIST						
ITEM	QTY	PART NO.	PART DESCRIPTION	LENGTH	UNIT WT.	NET WT.
1	2	X-232696	BALLAST TRAY WELDMENT - SITE PRO 1		66.53	133.06
2	1	P30126	2-7/8" O.D. X 126" SCH. 40 PIPE	126 in	76.94	76.94
3	2	P296	2-3/8" X 96" SCH. 40 GALVANIZED PIPE	96 in	30.76	61.51
4	3	SCX2	CROSSOVER PLATE	7 in	4.80	14.39
5	16	X-100064	CLAMP (S) (4" V-CLAMP) GALVANIZED		0.91	14.61
6	6	X-UB1212	1/2" X 2-1/2" X 4-1/2" X 2" U-BOLT (HDG.)		0.26	1.54
7	16	G12045	1/2" x 4.5" HDG HEX BOLT GR5 FULL THREAD	4 1/2 in	0.30	4.77
8	6	X-UB1300	1/2" X 3" X 5" X 2" U-BOLT (HDG.)		0.26	1.54
9	48	G12FW	1/2" HDG USS FLATWASHER		0.03	1.64
10	40	G12LW	1/2" HDG LOCKWASHER		0.01	0.56
11	40	G12NUT	1/2" HDG HEAVY 2H HEX NUT		0.07	2.87
					TOTAL WT. #	318.27



**TOLERANCE NOTES**

TOLERANCES ON DIMENSIONS, UNLESS OTHERWISE NOTED ARE:  
 SAWED, SHEARED AND GAS CUT EDGES ( $\pm 0.030"$ )  
 DRILLED AND GAS CUT HOLES ( $\pm 0.030"$ ) - NO CONING OF HOLES  
 LASER CUT EDGES AND HOLES ( $\pm 0.010"$ ) - NO CONING OF HOLES  
 BENDS ARE  $\pm 1/2$  DEGREE  
 ALL OTHER MACHINING ( $\pm 0.030"$ )  
 ALL OTHER ASSEMBLY ( $\pm 0.060"$ )

PROPRIETARY NOTE:  
 THE DATA AND TECHNIQUES CONTAINED IN THIS DRAWING ARE PROPRIETARY INFORMATION OF VALMONT INDUSTRIES AND CONSIDERED A TRADE SECRET. ANY USE OR DISCLOSURE WITHOUT THE CONSENT OF VALMONT INDUSTRIES IS STRICTLY PROHIBITED.

DESCRIPTION

ROOFTOP FLUSHMOUNT  
 OVERHANG LARGE TRAY

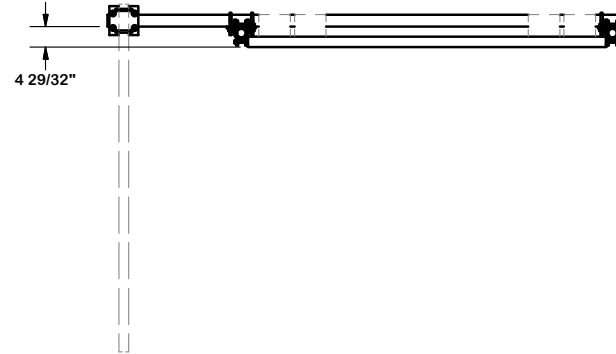
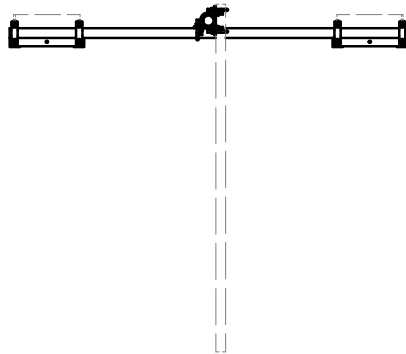
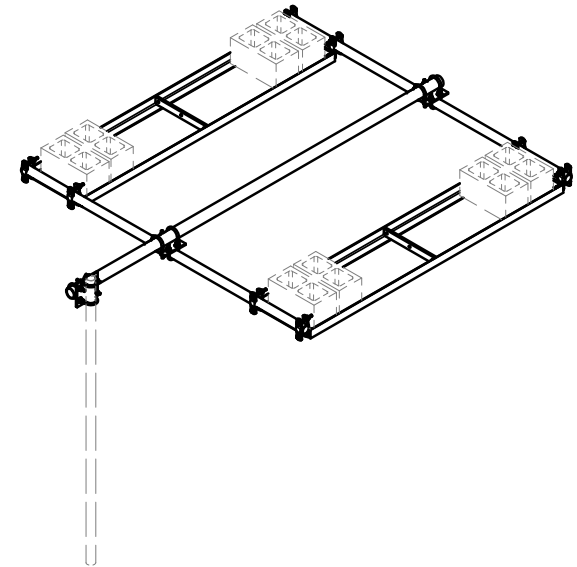
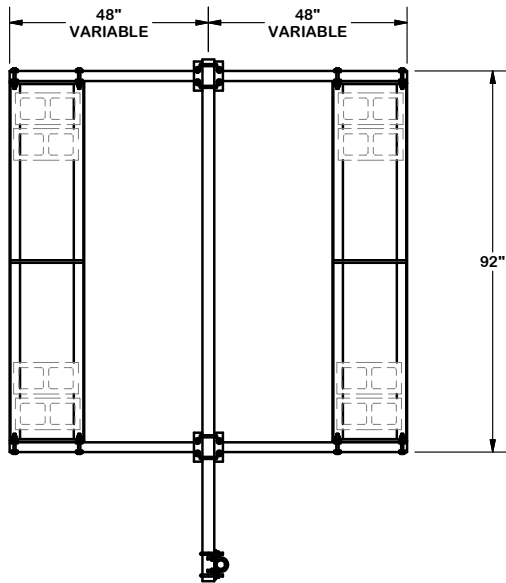


Engineering Support Team:  
 1-888-753-7446

Locations:  
 New York, NY  
 Atlanta, GA  
 Los Angeles, CA  
 Plymouth, IN  
 Salem, OR  
 Dallas, TX

CPD NO.	DRAWN BY	ENG. APPROVAL
CLASS	DRAWING USAGE	CHECKED BY
81	02	CUSTOMER
		BMC 1/16/2015

PART NO.	RFO-L
DWG. NO.	RFO-L



**TOLERANCE NOTES**

**TOLERANCES ON DIMENSIONS, UNLESS OTHERWISE NOTED ARE:  
 SAWED, SHEARED AND GAS CUT EDGES ( $\pm 0.030$ " )  
 DRILLED AND GAS CUT HOLES ( $\pm 0.030$ " ) - NO CONING OF HOLES  
 LASER CUT EDGES AND HOLES ( $\pm 0.010$ " ) - NO CONING OF HOLES  
 BENDS ARE  $\pm 1/2$  DEGREE  
 ALL OTHER MACHINING ( $\pm 0.030$ " )  
 ALL OTHER ASSEMBLY ( $\pm 0.060$ " )**

PROPRIETARY NOTE:  
 THE DATA AND TECHNIQUES CONTAINED IN THIS DRAWING ARE PROPRIETARY INFORMATION OF VALMONT INDUSTRIES AND CONSIDERED A TRADE SECRET. ANY USE OR DISCLOSURE WITHOUT THE CONSENT OF VALMONT INDUSTRIES IS STRICTLY PROHIBITED.

DESCRIPTION  
**ROOFTOP FLUSHMOUNT  
 OVERHANG LARGE TRAY**

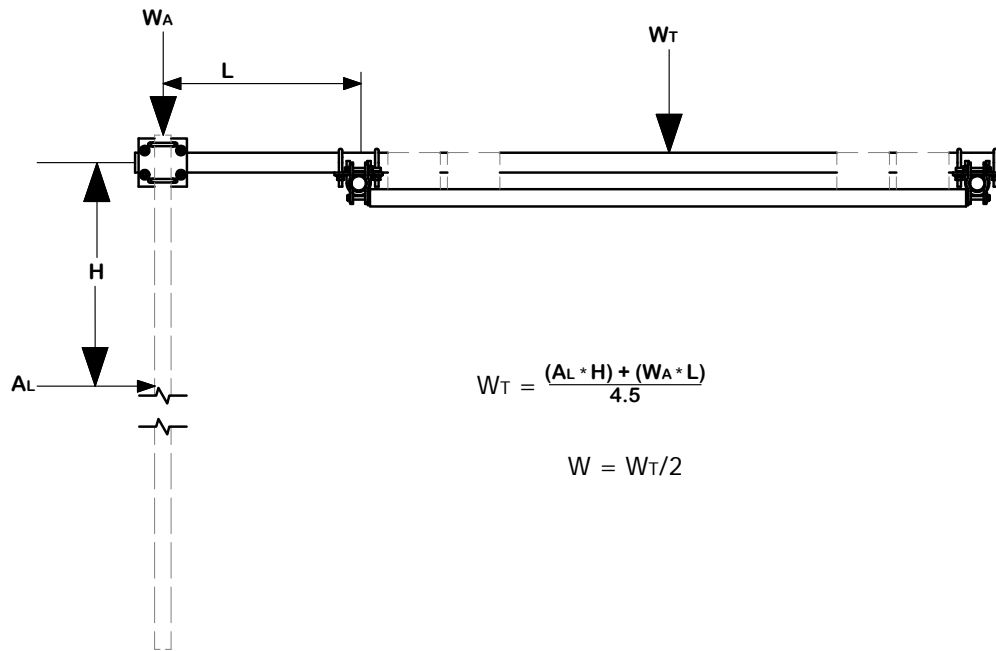
**SITE PRO 1**  
 A valmont COMPANY

Engineering Support Team:  
 1-888-753-7446

Locations:  
 New York, NY  
 Atlanta, GA  
 Los Angeles, CA  
 Plymouth, IN  
 Salem, OR  
 Dallas, TX

CPD NO.	DRAWN BY CEK 8/18/2014	ENG. APPROVAL
CLASS 81	SUB 02	DRAWING USAGE CUSTOMER
	CHECKED BY BMC	1/16/2015

PART NO.	RFO-L	PAGE 2 OF 3
DWG. NO.	RFO-L	



**TOLERANCE NOTES**

**TOLERANCES ON DIMENSIONS, UNLESS OTHERWISE NOTED ARE:**  
**SAWED, SHEARED AND GAS CUT EDGES ( $\pm 0.030"$ )**  
**DRILLED AND GAS CUT HOLES ( $\pm 0.030"$ ) - NO CONING OF HOLES**  
**LASER CUT EDGES AND HOLES ( $\pm 0.010"$ ) - NO CONING OF HOLES**  
**BENDS ARE  $\pm 1/2$  DEGREE**  
**ALL OTHER MACHINING ( $\pm 0.030"$ )**  
**ALL OTHER ASSEMBLY ( $\pm 0.060"$ )**

**PROPRIETARY NOTE:**  
 THE DATA AND TECHNIQUES CONTAINED IN THIS DRAWING ARE PROPRIETARY INFORMATION OF VALMONT INDUSTRIES AND CONSIDERED A TRADE SECRET. ANY USE OR DISCLOSURE WITHOUT THE CONSENT OF VALMONT INDUSTRIES IS STRICTLY PROHIBITED.

DESCRIPTION  
**ROOFTOP FLUSHMOUNT  
 OVERHANG LARGE TRAY**

**SITE PRO 1**  
 Engineering Support Team: 1-888-753-7446  
 Locations: New York, NY; Atlanta, GA; Los Angeles, CA; Plymouth, IN; Salem, OR; Dallas, TX  
 A valmont COMPANY

CPD NO.	DRAWN BY CEK 8/18/2014	ENG. APPROVAL
CLASS 81	SUB 02	CHECKED BY BMC 1/16/2015
DRAWING USAGE CUSTOMER		

PART NO.	RFO-L	PAGE 3 OF 3
DWG. NO.	RFO-L	