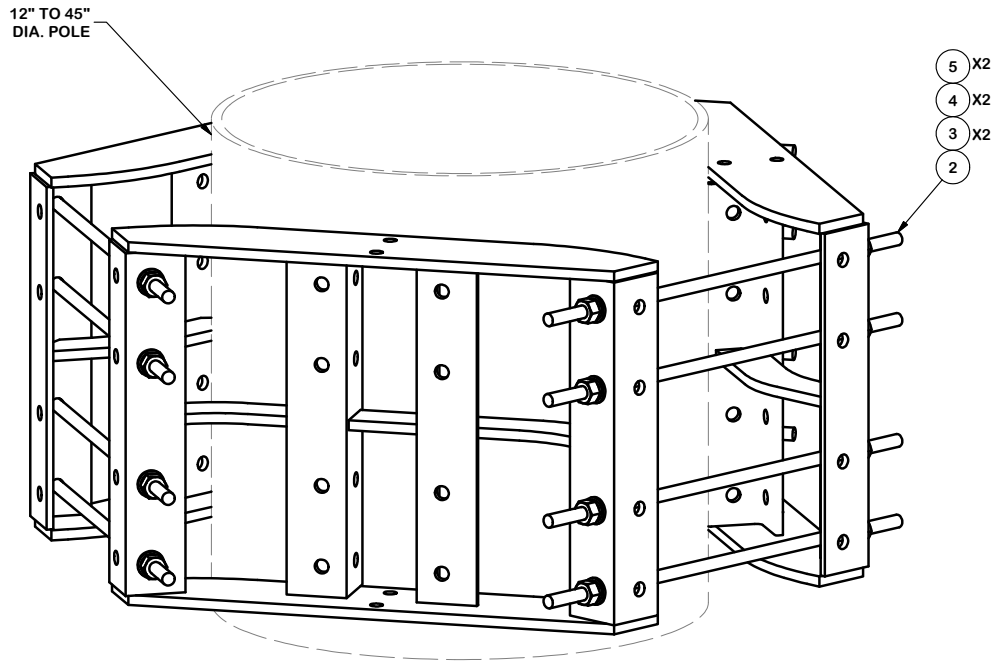


PARTS LIST						
ITEM	QTY	PART NO.	PART DESCRIPTION	LENGTH	UNIT WT.	NET WT.
1	3	X-RM3HD	WELDMENT FOR 3-SIDED HEAVY DUTY RING MOUNT		84.42	253.25
2	12	G58R-48	5/8" X 48" THREADED ROD (HDG.)		4.43	53.19
2	12	G58R-24	5/8" X 24" THREADED ROD (HDG.)		2.22	26.60
3	24	A58FW	5/8" HDG A325 FLATWASHER		0.03	0.82
4	24	G58LW	5/8" HDG LOCKWASHER		0.03	0.63
5	24	A58NUT	5/8" HDG A325 HEX NUT		0.13	3.12
					<b>TOTAL WT. #</b>	<b>337.60</b>



**TOLERANCE NOTES**

**TOLERANCES ON DIMENSIONS, UNLESS OTHERWISE NOTED ARE:  
 SAWED, SHEARED AND GAS CUT EDGES ( $\pm 0.030$ " )  
 DRILLED AND GAS CUT HOLES ( $\pm 0.030$ " ) - NO CONING OF HOLES  
 LASER CUT EDGES AND HOLES ( $\pm 0.010$ " ) - NO CONING OF HOLES  
 BENDS ARE  $\pm 1/2$  DEGREE  
 ALL OTHER MACHINING ( $\pm 0.030$ " )  
 ALL OTHER ASSEMBLY ( $\pm 0.060$ " )**

PROPRIETARY NOTE:  
 THE DATA AND TECHNIQUES CONTAINED IN THIS DRAWING ARE PROPRIETARY INFORMATION OF VALMONT INDUSTRIES AND CONSIDERED A TRADE SECRET. ANY USE OR DISCLOSURE WITHOUT THE CONSENT OF VALMONT INDUSTRIES IS STRICTLY PROHIBITED.

DESCRIPTION  
**HEAVY DUTY TRI-BRACKET RING MOUNT  
 12" TO 45" DIAMETER POLE**

CPD NO.	DRAWN BY <b>CEK</b>	6/5/2017	ENG. APPROVAL
CLASS <b>81</b>	SUB <b>02</b>	DRAWING USAGE <b>CUSTOMER</b>	CHECKED BY <b>BMC</b> 6/27/2017



Engineering  
 Support Team:  
 1-888-753-7446

Locations:  
 New York, NY  
 Atlanta, GA  
 Los Angeles, CA  
 Plymouth, IN  
 Salem, OR  
 Dallas, TX

PART NO.	<b>RM3-HD</b>
DWG. NO.	<b>RM3-HD</b>