

PARTS LIST						
ITEM	QTY	PART NO.	PART DESCRIPTION	LENGTH	UNIT WT.	NET WT.
1	3	X-SV196	LOW PROFILE PLATFORM CORNER		212.10	636.31
2	3	X-LWRM	RING MOUNT WELDMENT		68.81	206.42
3	12	X-SP219	SMALL SUPPORT CROSS PLATE	8 1/4 in	8.61	103.33
4	12	X-WWSB	WALKWAY SUPPORT BRACKET		6.73	80.75
5	6	X-127594	FLAT DISK CLAMP PLATE 4" CENTERS (GALV.)		2.51	15.04
6	12	X-100064	CLAMP (4" V-CLAMP) GALVANIZED		0.91	10.95
7	12	P2120	2-3/8" x 120" (2" SCH. 40) GALVANIZED PIPE	120 in	36.61	439.38
8	3	P3150	3-1/2" x 150" (3" SCH 40) GALVANIZED PIPE	150 in	94.80	284.40
9	3	P248	2-3/8" x 63" SCH 40 GALVANIZED PIPE	63 in	20.18	60.55
10	9	G58R-24	5/8" x 24" THREADED ROD (HDG.)	24 in	0.40	3.59
10	9	G58R-48	5/8" x 48" THREADED ROD (HDG.)	48 in	0.40	3.59
11	12	A58234	5/8" x 2-3/4" HDG A325 HEX BOLT	2 3/4 in	0.36	4.27
12	12	A58FW	5/8" HDG A325 FLATWASHER		0.03	0.41
13	30	G58LW	5/8" HDG LOCKWASHER		0.03	0.78
14	30	A58NUT	5/8" HDG A325 HEX NUT		0.13	3.90
15	3	GRS12-12	12" WIDE GRIP STRUT	120 in	31.00	93.00
16	36	X-UB1306	1/2" X 3-5/8" X 6" X 3" U-BOLT (HDG.)		0.83	29.82
17	24	X-UB1212	1/2" X 2-1/2" X 4-1/2" X 2" U-BOLT (HDG.)		0.63	15.00
18	12	G1204	1/2" x 4" HDG HEX BOLT GR5 FULL THREAD	4 in	0.27	3.24
19	12	G12065	1/2" x 6-1/2" HDG HEX BOLT GR5 FULL THREAD	6 1/2 in	0.41	4.91
20	144	G12FW	1/2" HDG USS FLATWASHER	3/32 in	0.03	4.91
21	144	G12LW	1/2" HDG LOCKWASHER	1/8 in	0.01	2.00
22	144	G12NUT	1/2" HDG HEAVY 2H HEX NUT		0.07	10.31
23	24	X-UB3212	3/8" X 2-1/2" X 3-5/8" X 1-3/4" U-BOLT (HDG.)		0.29	6.97
24	48	G3802	3/8" x 2" HDG HEX BOLT GR5		0.09	4.21
25	48	SQW38	3/8" SQUARE WASHER	2 in	0.29	13.89
26	96	G38FW	3/8" HDG USS FLATWASHER		0.01	1.13
27	96	G38LW	3/8" HDG LOCKWASHER		0.01	0.64
28	96	G38NUT	3/8" HDG HEAVY 2H HEX NUT		0.03	3.25
29	1	HALO	HALO		40.35	40.35
					TOTAL WT. #	2136.59

TOLERANCE NOTES

TOLERANCES ON DIMENSIONS, UNLESS OTHERWISE NOTED ARE:
 SAWED, SHEARED AND GAS CUT EDGES ($\pm 0.030"$)
 DRILLED AND GAS CUT HOLES ($\pm 0.030"$) - NO CONING OF HOLES
 LASER CUT EDGES AND HOLES ($\pm 0.010"$) - NO CONING OF HOLES
 BENDS ARE $\pm 1/2$ DEGREE
 ALL OTHER MACHINING ($\pm 0.030"$)
 ALL OTHER ASSEMBLY ($\pm 0.060"$)

PROPRIETARY NOTE:
 THE DATA AND TECHNIQUES CONTAINED IN THIS DRAWING ARE PROPRIETARY INFORMATION OF VALMONT INDUSTRIES AND CONSIDERED A TRADE SECRET. ANY USE OR DISCLOSURE WITHOUT THE CONSENT OF VALMONT INDUSTRIES IS STRICTLY PROHIBITED.

DESCRIPTION

RMQP-12-H5

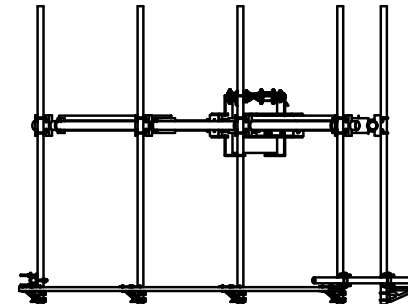
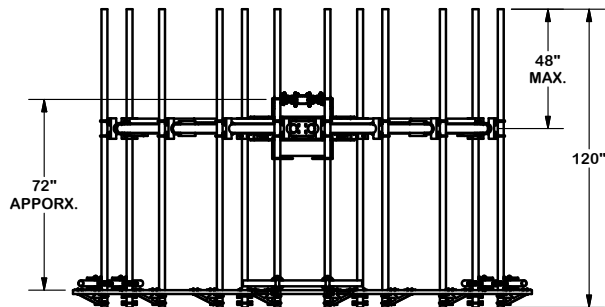
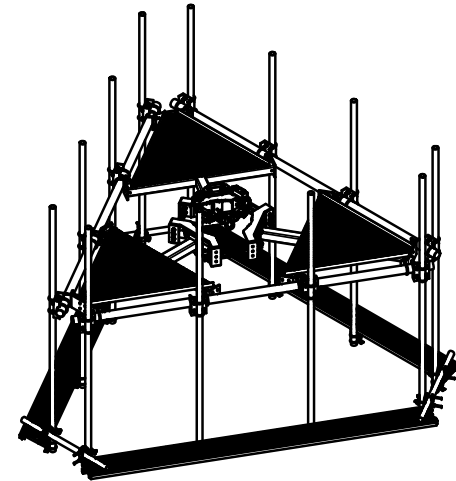
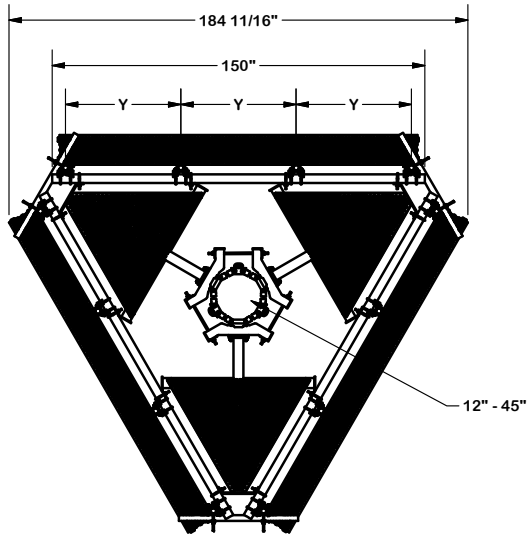
CPD NO.	DRAWN BY	ENG. APPROVAL
	CEK 11/1/2017	
CLASS	DRAWING USAGE	CHECKED BY
	CUSTOMER	



Engineering Support Team:
 1-888-753-7446

Locations:
 New York, NY
 Atlanta, GA
 Los Angeles, CA
 Plymouth, IN
 Salem, OR
 Dallas, TX

PART NO.	RMQP-12-H5
DWG. NO.	RMQP-12-H5



TOLERANCE NOTES

**TOLERANCES ON DIMENSIONS, UNLESS OTHERWISE NOTED ARE:
 SAWED, SHEARED AND GAS CUT EDGES (± 0.030)
 DRILLED AND GAS CUT HOLES (± 0.030) - NO CONING OF HOLES
 LASER CUT EDGES AND HOLES (± 0.010) - NO CONING OF HOLES
 BENDS ARE $\pm 1/2$ DEGREE
 ALL OTHER MACHINING (± 0.030)
 ALL OTHER ASSEMBLY (± 0.060)**

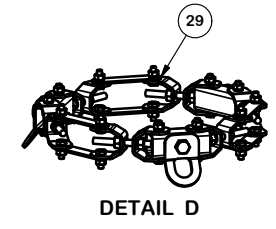
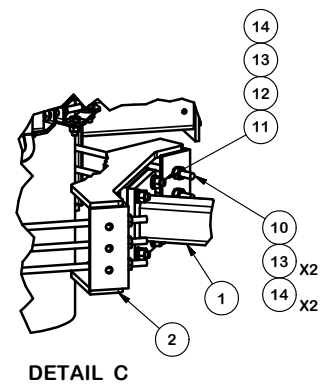
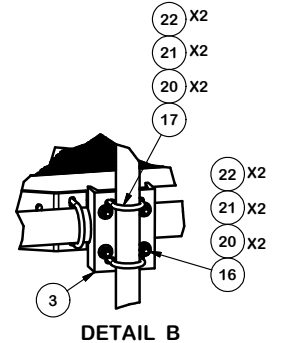
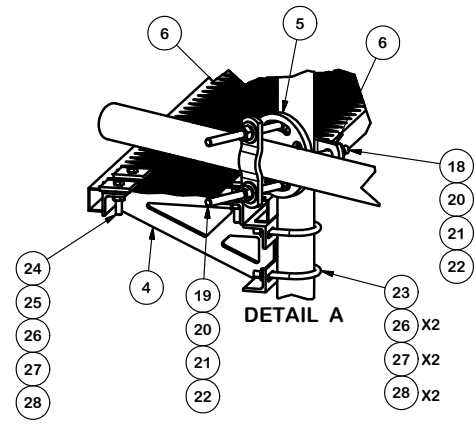
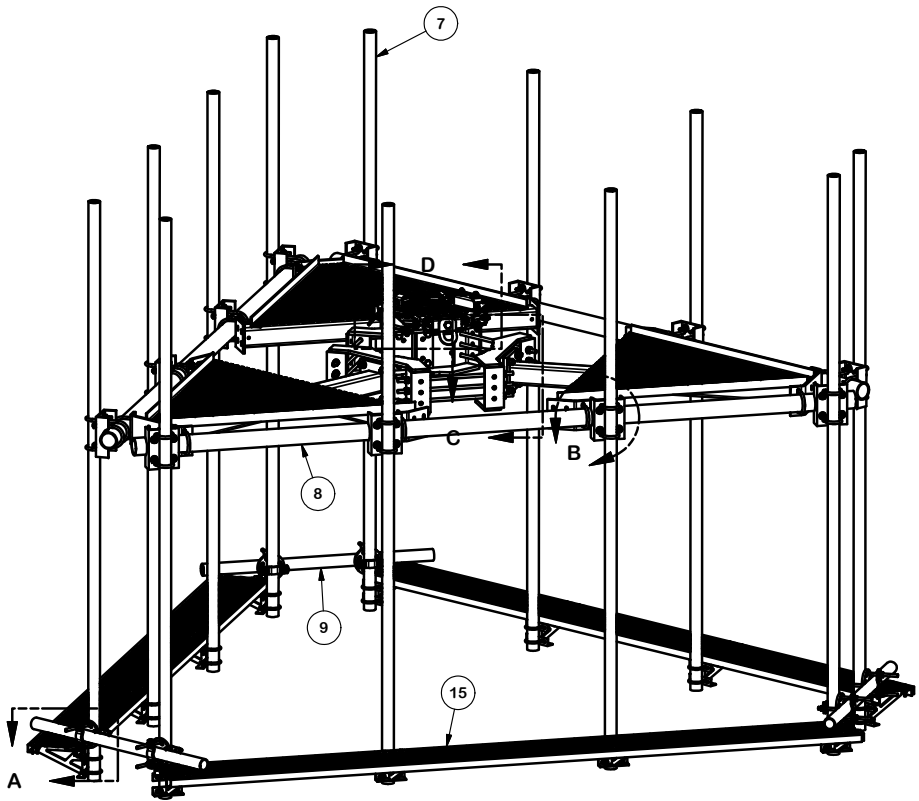
PROPRIETARY NOTE:
 THE DATA AND TECHNIQUES CONTAINED IN THIS DRAWING ARE PROPRIETARY INFORMATION OF VALMONT INDUSTRIES AND CONSIDERED A TRADE SECRET. ANY USE OR DISCLOSURE WITHOUT THE CONSENT OF VALMONT INDUSTRIES IS STRICTLY PROHIBITED.

DESCRIPTION
RMQP-12-H5

SITE PRO 1
 A valmont COMPANY
 Engineering Support Team:
 1-888-753-7446
 Locations:
 New York, NY
 Atlanta, GA
 Los Angeles, CA
 Plymouth, IN
 Salem, OR
 Dallas, TX

CPD NO.	DRAWN BY CEK 11/1/2017	ENG. APPROVAL
CLASS	DRAWING USAGE CUSTOMER	CHECKED BY

PART NO.	RMQP-12-H5	PAGE
DWG. NO.	RMQP-12-H5	2 OF 3



TOLERANCE NOTES

TOLERANCES ON DIMENSIONS, UNLESS OTHERWISE NOTED ARE:
 SAWED, SHEARED AND GAS CUT EDGES ($\pm 0.030"$)
 DRILLED AND GAS CUT HOLES ($\pm 0.030"$) - NO CONING OF HOLES
 LASER CUT EDGES AND HOLES ($\pm 0.010"$) - NO CONING OF HOLES
 BENDS ARE $\pm 1/2$ DEGREE
 ALL OTHER MACHINING ($\pm 0.030"$)
 ALL OTHER ASSEMBLY ($\pm 0.060"$)

PROPRIETARY NOTE:
 THE DATA AND TECHNIQUES CONTAINED IN THIS DRAWING ARE PROPRIETARY INFORMATION OF VALMONT INDUSTRIES AND CONSIDERED A TRADE SECRET. ANY USE OR DISCLOSURE WITHOUT THE CONSENT OF VALMONT INDUSTRIES IS STRICTLY PROHIBITED.

DESCRIPTION
RMQP-12-H5

CPD NO.	DRAWN BY CEK 11/1/2017	ENG. APPROVAL
CLASS	DRAWING USAGE CUSTOMER	CHECKED BY

SITE PRO 1
 Engineering Support Team:
 1-888-753-7446

Locations:
 New York, NY
 Atlanta, GA
 Los Angeles, CA
 Plymouth, IN
 Salem, OR
 Dallas, TX

PART NO.	RMQP-12-H5	PAGE 3 OF 3
DWG. NO.	RMQP-12-H5	